

ASSEMBLY PARTS AND ACCESSORIES

January 2005



TLB 6235 ESL

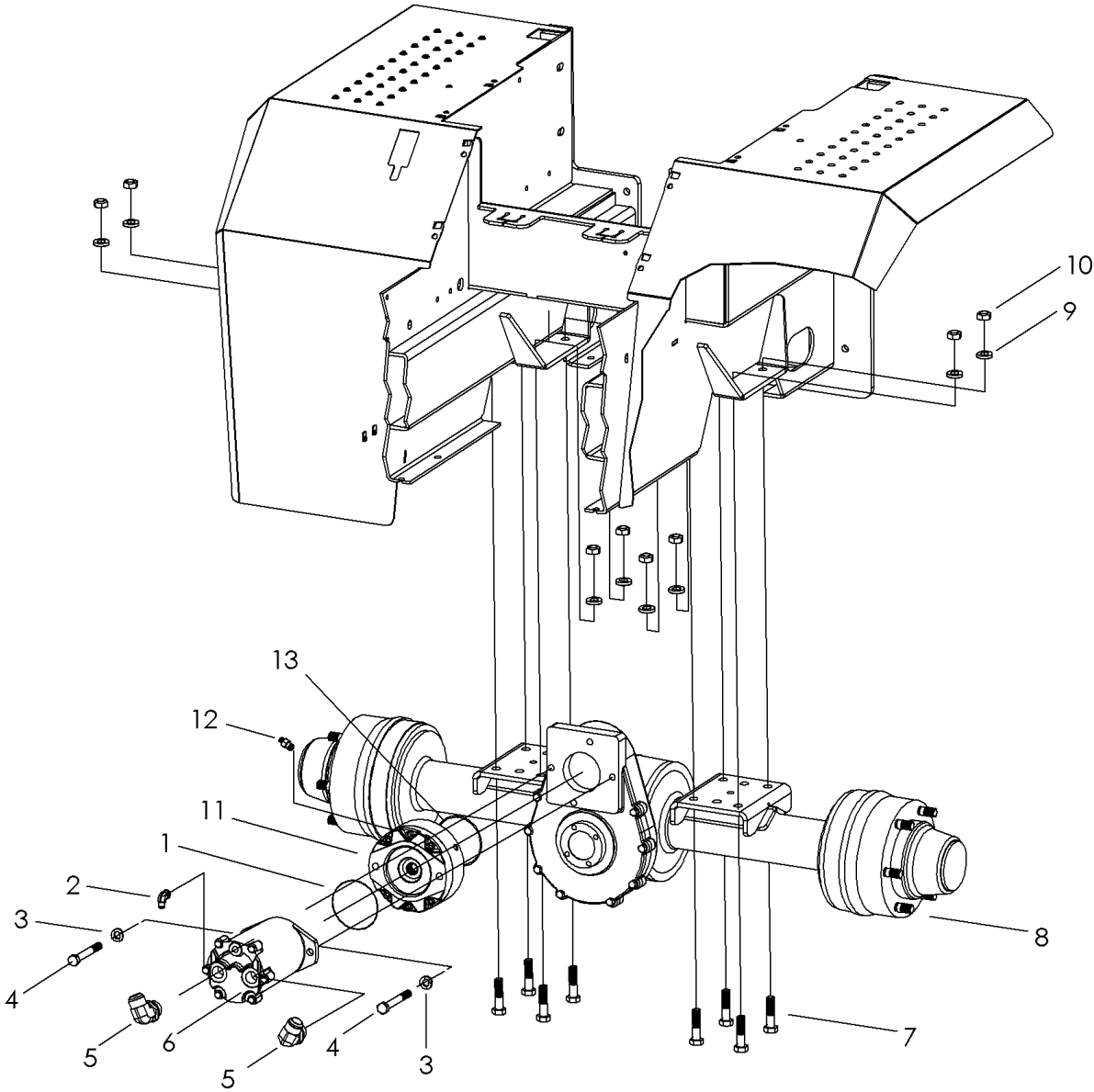
ALLMAND BROS. INC
P.O. BOX 888
HOLDREGE, NE 68949

PHONE: 308/995-4495, 1-800/562-1373
ALLMAND FAX: 308/995-5887
ALLMAND PARTS FAX: 308/995-4883



REAR AXLE ASSEMBLY

TLB 6235 ESL



REAR AXLE ASSEMBLY

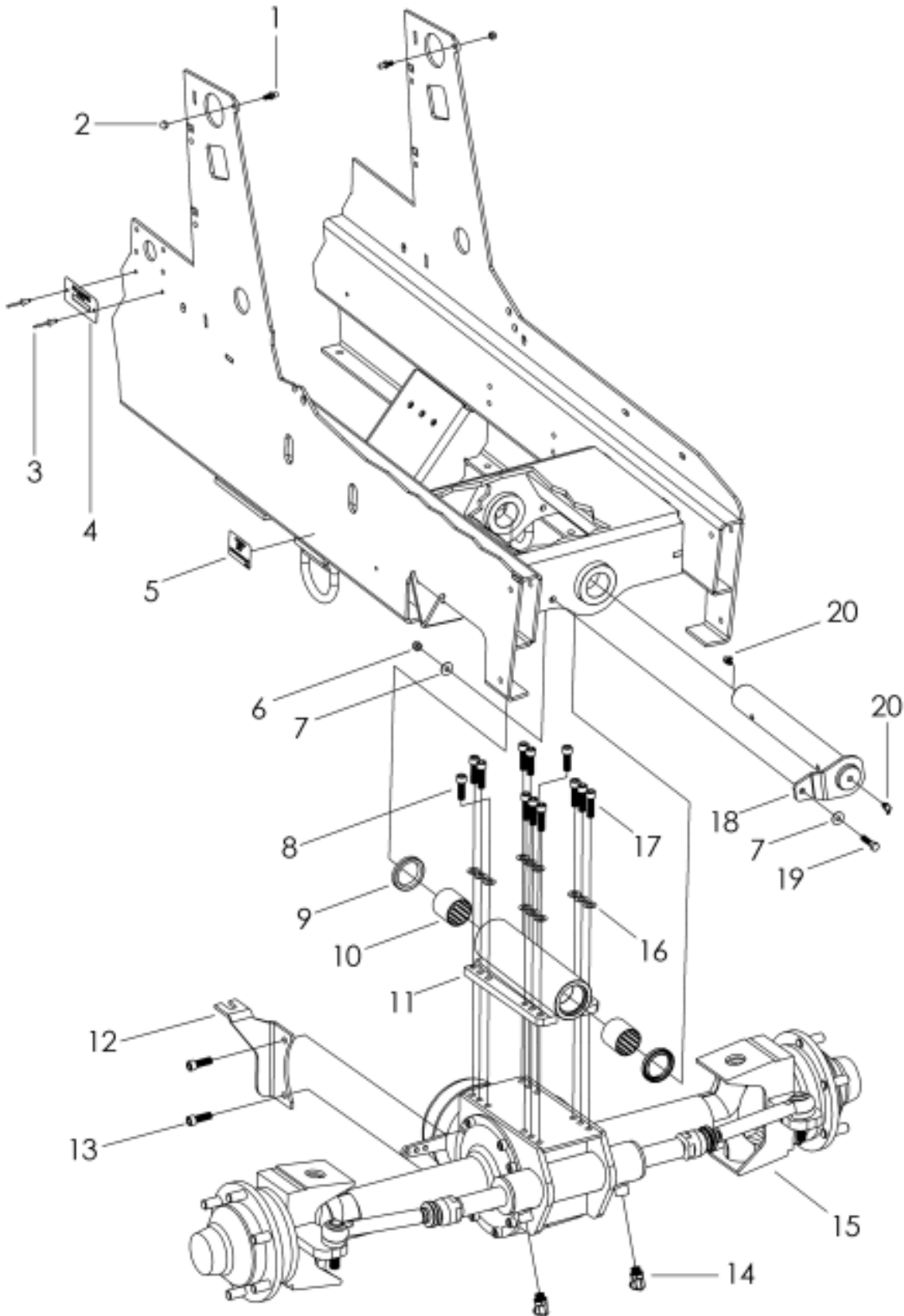
TLB 6235 ESL

NO	REQ'D	PART NO	DESCRIPTION
1	1	22-000031	.070 O-RING
2	1	920692	STRAIGHT THREAD ELBOW, 6801-06-06
3	2	043095	9/16 SPLIT LOCK WASHER
4	2	932088	14mm x 2.0 x 110mm BOLT
5	2	920679	90° 12C50X-S
6	1	22-000305	82cc EATON DRIVE MOTOR
7	8	018962	5/8 - 18 NF X 2-1/2 GRADE 8 BOLT
8	1	22-000103	.080 SERIES RIGID REAR AXLE
9	8	042156	WILLIAMS FLAT WASHER
10	8	044103	5/8 - 18 NF TOP LOCK NUT
11	1	932087	SA/HR WET BRAKE ASSEMBLY WITH O-RING
12	1	930164	HYDRAULIC ADAPTER 6400-06-04-0
13	1		O-RING (SUPPLIED WITH BRAKE ASSEMBLY)
NS	6 QT.	067040	AXLE LUBE

LEGEND: NS= Not Shown
** =Purchase locally

FRONT AXLE ASSEMBLY

TLB 6235 ESL



FRONT AXLE ASSEMBLY

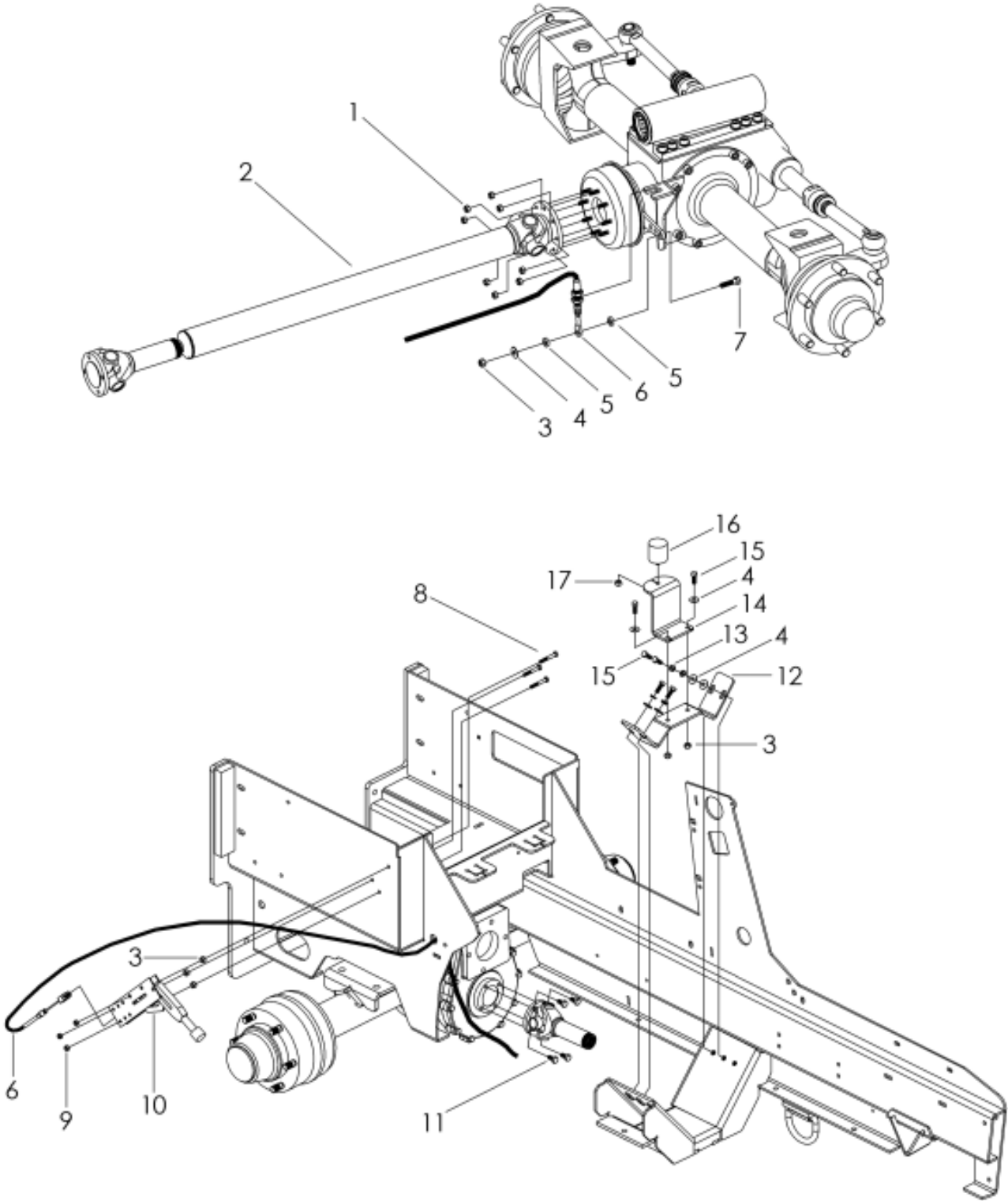
TLB 6235 ESL

NO	REQ'D	PART NO	DESCRIPTION
1	2	330437	BALL STUD
2	2	044027	5/16 - 18 NC ACORN NUT
3	2	045118	1/4 POP RIVET
4	1	N/A	ALLMAND PRODUCT SERIAL NUMBER PLATE
5	2	090210	TIE DOWN POINT DECAL (ONE EACH SIDE)
6	1	044038	3/8 - 16 NC NYLON INSERT NUT
7	2	047016	3/8 SAE FLAT WASHER
8	2	046434	12mm X 1.75mm X 40mm ALLEN HEAD BOLT
9	2	923042	2" BEARING SEAL
10	2	923047	2" GARLOCK BEARING
11	1	22-000160	COMER FRONT AXLE TRUNION
NS		22-000099	TRUNION ASSEMBLY WITH BEARINGS AND SEALS
12	1	22-000036	PARK BRAKE CABLE MOUNT PLATE
13	2	046436	12mm X 1.75mm X 30mm ALLEN HEAD BOLT
14	2	22-000149	HYDRAULIC ADAPTER, 7202-06-06-NOW
15	1	22-000115	.068 SERIES COMER FRONT AXLE
16	12	22-000311	12mm FLAT WASHER
17	10	046435	12mm X 1.75mm X 35mm ALLEN HEAD BOLT
18	1	22-000049	TRUNION PIN ASSEMBLY
19	1	046120	3/8 - 16 NC X 1-1/2 GRADE 5 BOLT
20	2	045404	1/8 - 27 NP 90° GREASE ZERK
NS	3-1/2 QT.	067040	AXLE LUBE

LEGEND: NS= Not Shown
** =Purchase locally

DRIVE SHAFT / PARK BRAKE SYSTEM / HYDROSTAT SUPPORT

TLB 6235 ESL



DRIVE SHAFT / PARK BRAKE SYSTEM / HYDROSTAT SUPPORT

TLB 6235 ESL

NO	REQ'D	PART NO	DESCRIPTION
1	8	044129	10mm X 1.5mm NYLON INSERT NUT
2	1	22-000300	DRIVE SHAFT
3	6	044038	3/8 - 16 NC NYLON INSERT NUT
4	7	047016	3/8 SAE FLAT WASHER
5	2	047019	NYLON WASHER
6	1	932091	BRAKE CONTROL ASSEMBLY, 84"
7	1	046130	3/8 - 16 NC X 2 GRADE 5 BOLT
8	3	046070	5/16 - 18 NC X 2-1/4 GRADE 5 BOLT
9	3	044033	5/16 - 18 NC NYLON INSERT NUT
10	1	920220	PARK BRAKE LEVER
11	4	042037	10mm X 1.5mm X 20mm GRADE 10.9 BOLT
12	1	22-000119	HYDROSTAT SUPPORT BRIDGE
13	4	043065	3/8 SPLIT LOCK WASHER
14	1	22-000098	HYDROSTAT SUPPORT
15	4	046110	3/8 - 16 NC X 1 GRADE 5 BOLT
16	1	920880	RUBBER BUMPER
17	1	044080	3/8 - 16 NC TOP LOCK NUT

LEGEND: NS= Not Shown
** =Purchase locally

DRIVE SHAFT / PARK BRAKE SYSTEM / HYDROSTAT SUPPORT

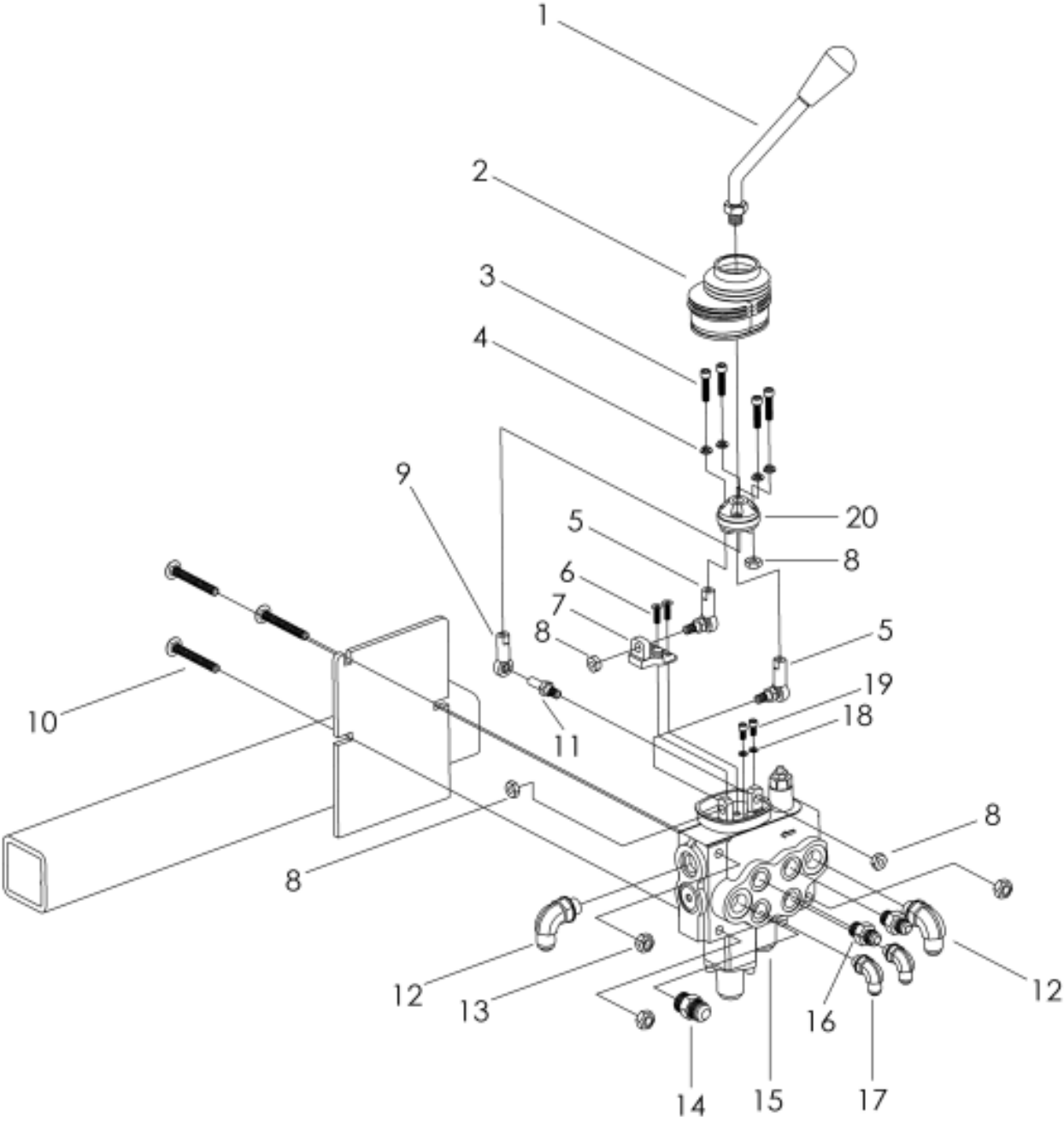
TLB 6235 ESL

NO	REQ'D	PART NO	DESCRIPTION
1	1	340027	FUEL CAP, PLASTIC
2	1	026030	FITTING
3	1	026010	FITTING
4	1	930120	FUEL TANK
5	8	046110	3/8 - 16 NC X 1 GRADE 5 BOLT
6	8	043065	3/8 SPLIT LOCK WASHER
7	8	047016	3/8 FLAT WASHER
8	4	047005	1/4 SAE FLAT WASHER
9	4	046010	1/4 - 20 NC X 3/4 SS GRADE 5 BOLT
10	2	920821	HYDRAULIC ADAPTER, 6801-08-12-NOW-FG
11	1	921447	FILTER HEAD W/O BYPASS
12	2	920788	FIBERGLASS ELEMENT REPLACEMENT FILTER
13	2	090297	FILTER ELEMENT DECAL
14	1	920820	HYDRAULIC ADAPTER, 6801-10-12-NOW-FG
15	1	920809	FILTER HEAD WITH BYPASS
16	1	920679	STRAIGHT THREAD ELBOW, 6801-12-
17	4	046005	1/4 - 20 NC X 1/2 SS GRADE 5 BOLT
18	4	043050	1/4 INTERNAL TOOTH LOCK WASHER
19	4	047007	1/4 FENDER WASHER
20	1	22-000317	ISUZU 3CD1 ENGINE FUEL PUMP
21	2	044023	1/4 - 20 NC NYLON INSERT NUT
NS	6	043400	HOSE CLAMP
NS	17 IN.	**	5/16 FUEL LINE, SUCTION FROM ENGINE TO FUEL PUMP
NS	78 IN.	**	5/16 FUEL LINE, SUCTION FROM FUEL PUMP TO FUEL TANK
NS	78 IN.	**	5/16 FUEL LINE, RETURN FROM ENGINE TO FUEL TANK

LEGEND: NS= Not Shown
 ** =Purchase locally

LOADER VALVE ASSEMBLY

TLB 6235 ESL



LOADER VALVE ASSEMBLY

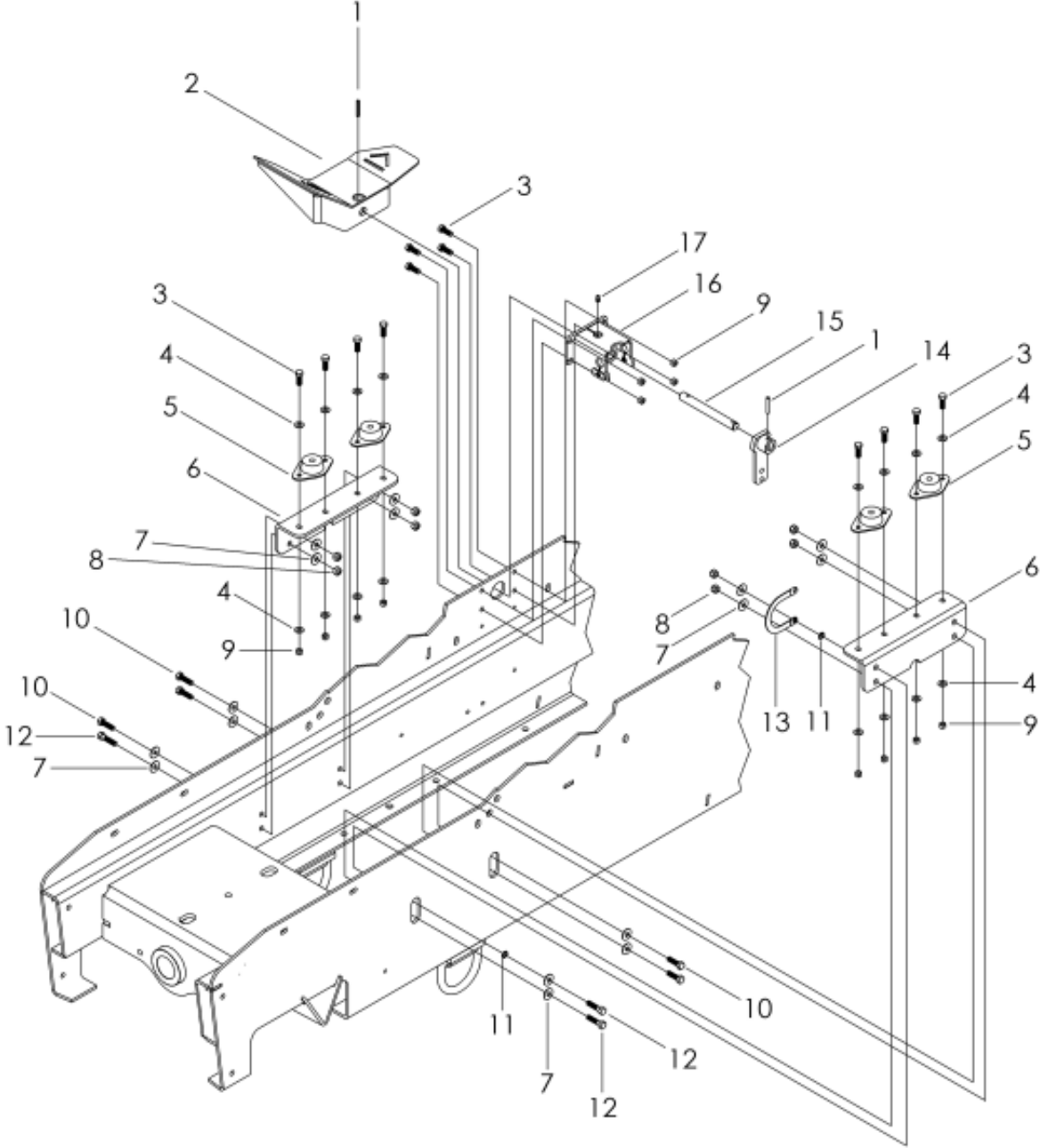
TLB 6235 ESL

NO	REQ'D	PART NO	DESCRIPTION
1	1	920801	WALVOIL LOADER VALVE HANDLE
2	1	921003	BELLOW
3	4	**	M6 X 25 - 12.9 NICKEL PLATED SOCKET HEAD CAP SCREW
4	4	**	A6 DIN-7980 GALVANIZED WASHER
5	2	921443	ARTICULATED JOINT
6	2	**	M5 X 14 - 8.8 FLAT HEAD SCREW
7	1	921002	PIVOT
8	4	**	M6 - 8 GALVANIZED HEX NUT
9	1	921444	ROD END
10	3	053026	5/16 - 18 NC X 2-1/2 CARRAIGE BOLT
11	1	921000	PIN
12	2	320070	HYDRAULIC ADAPTER 90°, 8C50X-S
13	3	044090	5/16 - 18 NC TOP LOCK NUT
14	1	920698	HYDRAULIC ADAPTER, S50X-S
15	1	920800	WALVOIL LOADER VALVE
16	2	320076	HYDRAULIC ADAPTER 3/8 ORM-3/8 JIC MALE 6F50X-S
17	2	920692	HYDRAULIC ADAPTER 90°
18	2	**	5.0 X 9 0.5 SCHNORR WASHER
19	2	**	M5 X 10 - 12.9 SOCKET HEAD CAP SCREW
20	1	921001	HOLDER
NS		921801	FLOAT KIT
NS		923582	SEAL KIT, WALVOIL LOADER VALVE

LEGEND: NS= Not Shown
 ** =Purchase locally

FOOT PEDAL ASSEMBLY / ENGINE MOUNTS

TLB 6235 ESL



FOOT PEDAL ASSEMBLY / ENGINE MOUNTS

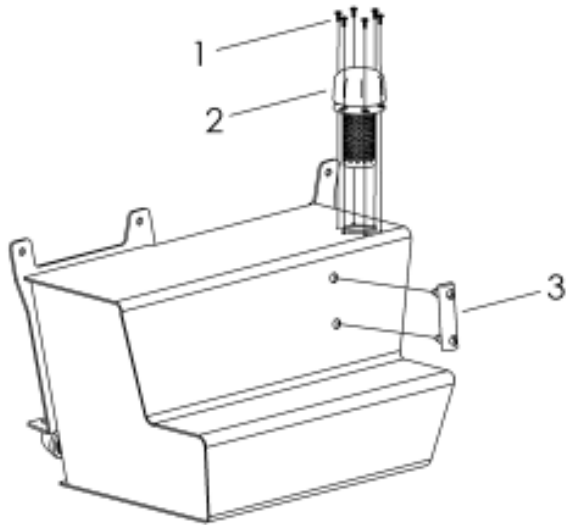
TLB 6235 ESL

NO	REQ'D	PART NO	DESCRIPTION
1	2	045145	1/4 X 1-1/2 ROLLPIN
2	1	22-000063	4X4 FOOT PEDAL WELDMENT
3	12	046050	5/16 - 18 NC X 1 GRADE 5 BOLT
4	16	047005	1/4 PLATED FLAT WASHER
5	4	923408	ENGINE MOUNT ISUZU
6	2	22-000107	ISUZU ENGINE / FRAME MOUNT
7	16	047016	3/8 FLAT WASHER
8	8	044038	3/8 - 16 NC NYLON INSERT NUT
9	12	044033	5/16 - 18 NC X 1-1/4 GRADE 5 BOLT
10	5	046115	3/8 - 16 NC X 1-1/4 GRADE 5 BOLT
11	2	043070	3/8 INTERNAL TOOTH LOCK WASHER
12	3	046120	3/8 - 16 NC X 1-1/2 GRADE 5 BOLT
13	1	340105	GROUND STRAP
14	1	930343	FOOT PEDAL F/R LINKAGE ARM
15	1	930091	FOOT PEDAL PIVOT SHAFT
16	1	22-000058	4X4 FOOT PEDAL PIVOT WELDMENT
17	1	401256	1/4 - 28 NF STRAIGHT GREASE ZERK

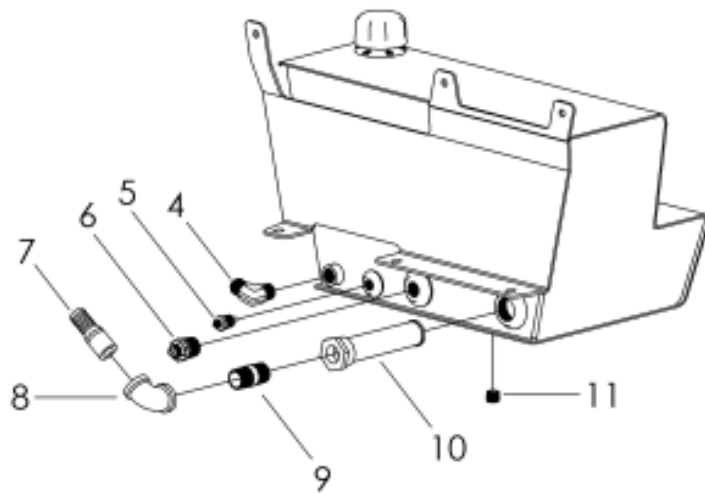
LEGEND: NS= Not Shown
** =Purchase locally

HYDRAULIC RESERVOIR ASSEMBLIES

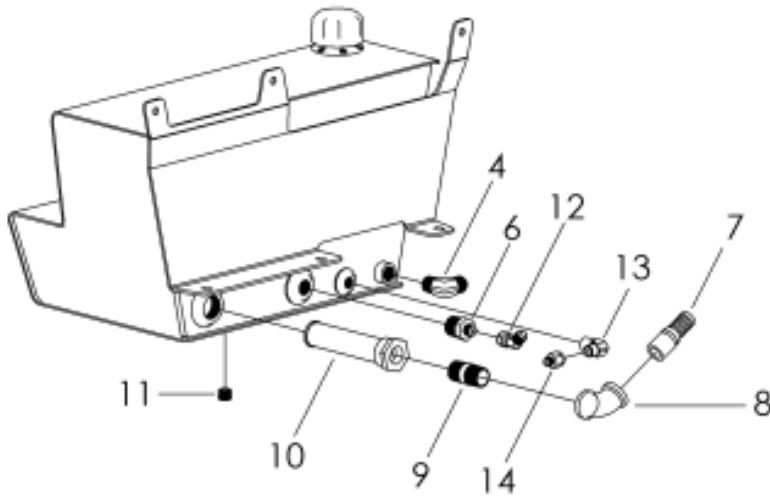
TLB 6235 ESL



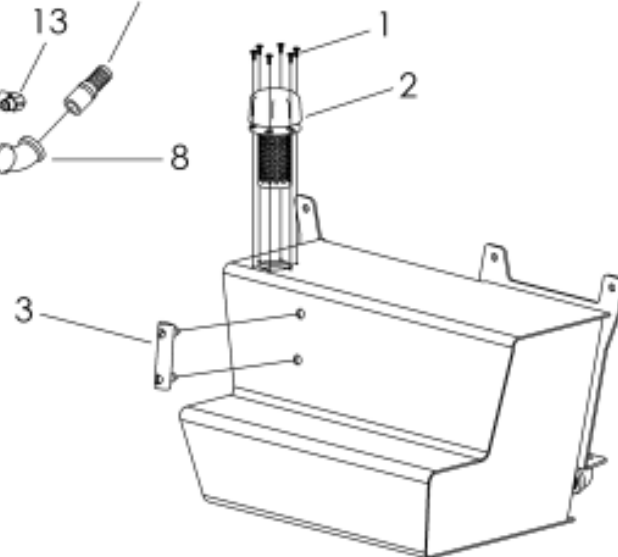
RIGHT TANK, FRONT



RIGHT TANK, BACK



LEFT TANK, BACK



LEFT TANK, FRONT

HYDRAULIC RESERVOIR ASSEMBLIES

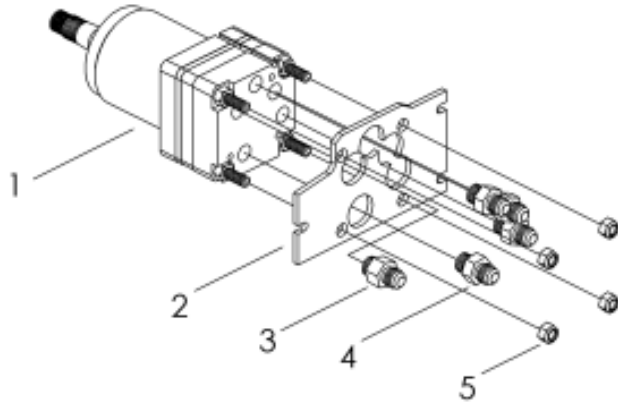
TLB 6235 ESL

NO	REQ'D	PART NO	DESCRIPTION
1	12	**	10 - 32 NF X 1/2 SCREW
2	2	22-000167	SHORT ZINGA BREATHER CAP ASSEMBLY
3	2	920195	SIGHT GLASS
4	2	22-000188	HYDRAULIC ADAPTER, 2501-12-12-FG
5	1	920861	OIL TEMPERATURE SENDER
6	2	22-001004	HYDRAULIC ADAPTER , 2404-08-16
7	2	052183	STRAINER NIPPLE
8	2	052187	1" FEMALE 90° ELBOW, BLACK PIPE
9	2	052186	1" X 2-1/2 NIPPLE, BLACK PIPE
10	2	920325	SUCTION STRAINER
11	2	433922	1/2" MAGNETIC DRAIN PLUG
12	1	352259	HYDRAULIC ADAPTER, 6502-08-08
13	1	920699	HYDRAULIC ADAPTER, 2501-08-08-FG
14	1	22-000082	HYDRAULIC ADAPTER REDUCER, 2406-08-06

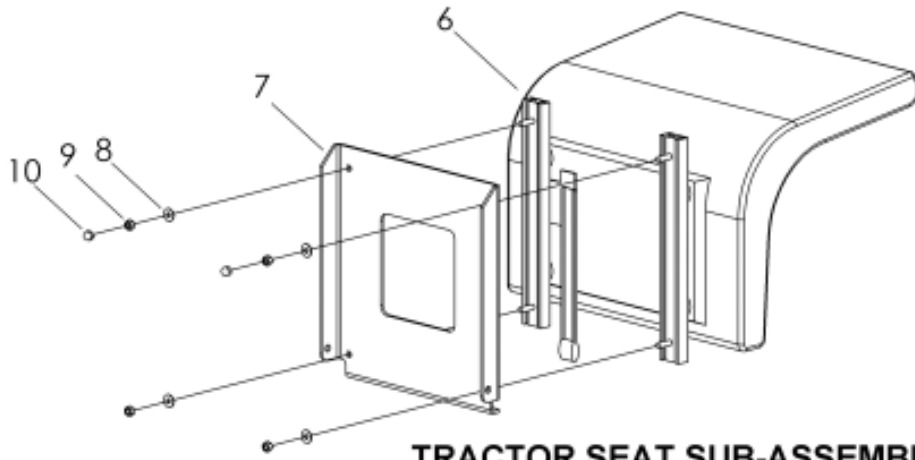
LEGEND: NS= Not Shown
** =Purchase locally

HYDRAULIC RESERVOIR ASSEMBLIES

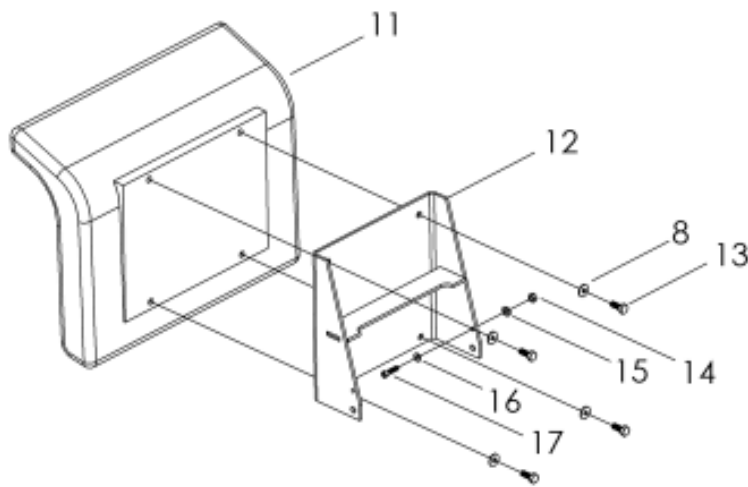
TLB 6235 ESL



STEERING ORBITAL SUB-ASSEMBLY



TRACTOR SEAT SUB-ASSEMBLY



BACKHOE SEAT SUB-ASSEMBLY

HYDRAULIC RESERVOIR ASSEMBLIES

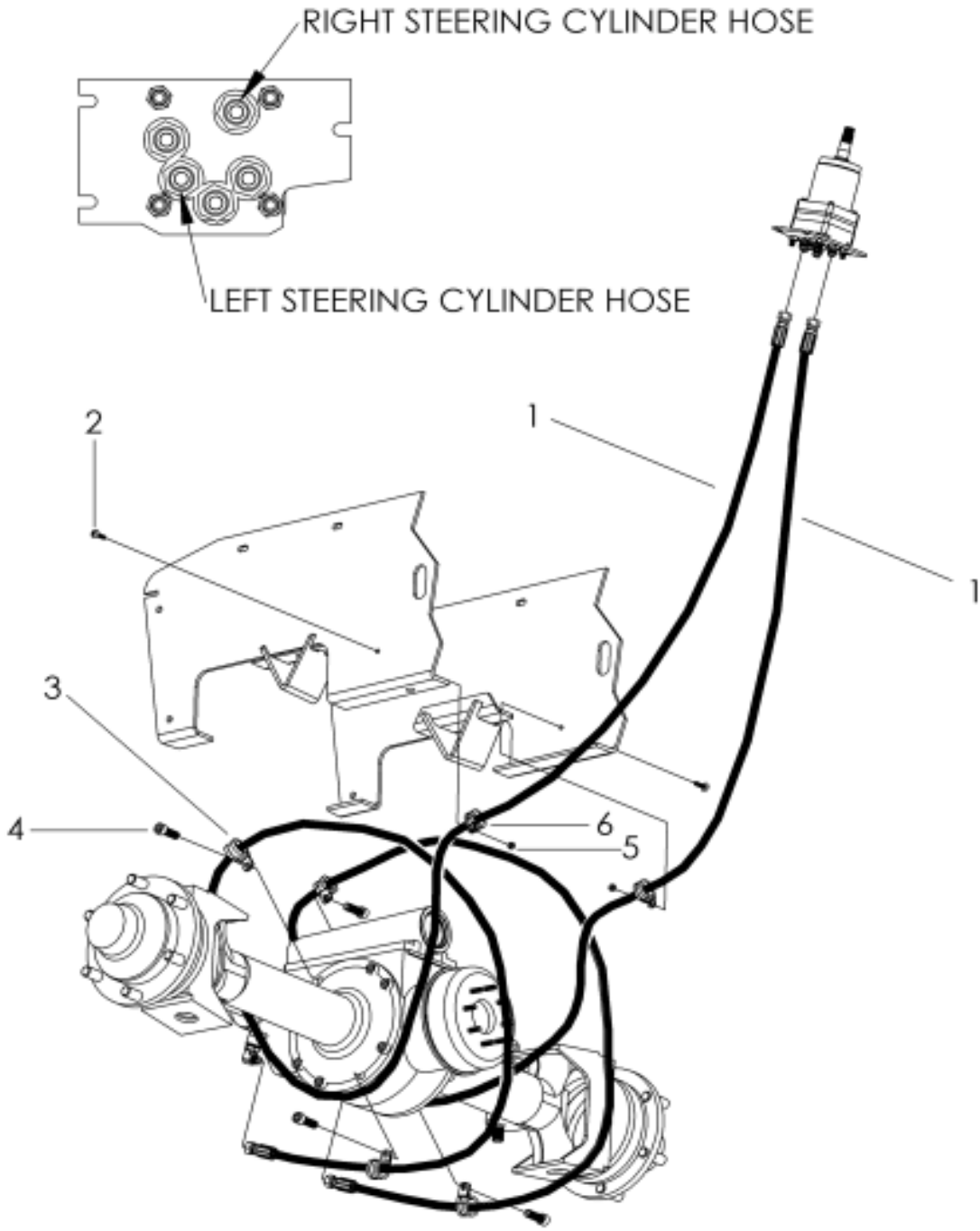
TLB 6235 ESL

NO	REQ'D	PART NO	DESCRIPTION
1	1	22-000304	7.3 CIR STEERING ORM MOTOR
2	1	10-000159	SERIES 5 ORBITAL MOUNT
3	1	920678	HYDRAULIC ADAPTER
4	4	320076	HYDRAULIC ADAPTER, 6400-06-06
5	4	042081	8mm X 1.25mm NYLON INSERT NUT
6	1	920245	TRACTOR SEAT WITH ADJUSTERS
7	1	930465	SEAT MOUNT PLATE
8	8	047005	1/4 FLAT WASHER
9	4	044033	5/16 - 18 NC NYLON INSERT NUT
10	2	047027	5/16 - 18 NC ACORN NUT
11	1	920246	BACKHOE SEAT
12	1	92B002	BACKHOE SEAT MOUNT WELDMENT
13	4	042030	8mm X 1.25mm X 20mm GRADE 8.8 BOLT
14	1	044025	1/4 - 28 NF HEX NUT
15	1	043020	1/4 SPLIT LOCK WASHER
16	1	047009	1/4 SAE FLAT WASHER
17	1	048006	1/4 - 28 NF X 1 SOCKET HEAD CAP SCREW

LEGEND: NS= Not Shown
** =Purchase locally

STEERING CYLINDER HOSES

TLB 6235 ESL



STEERING CYLINDER HOSES

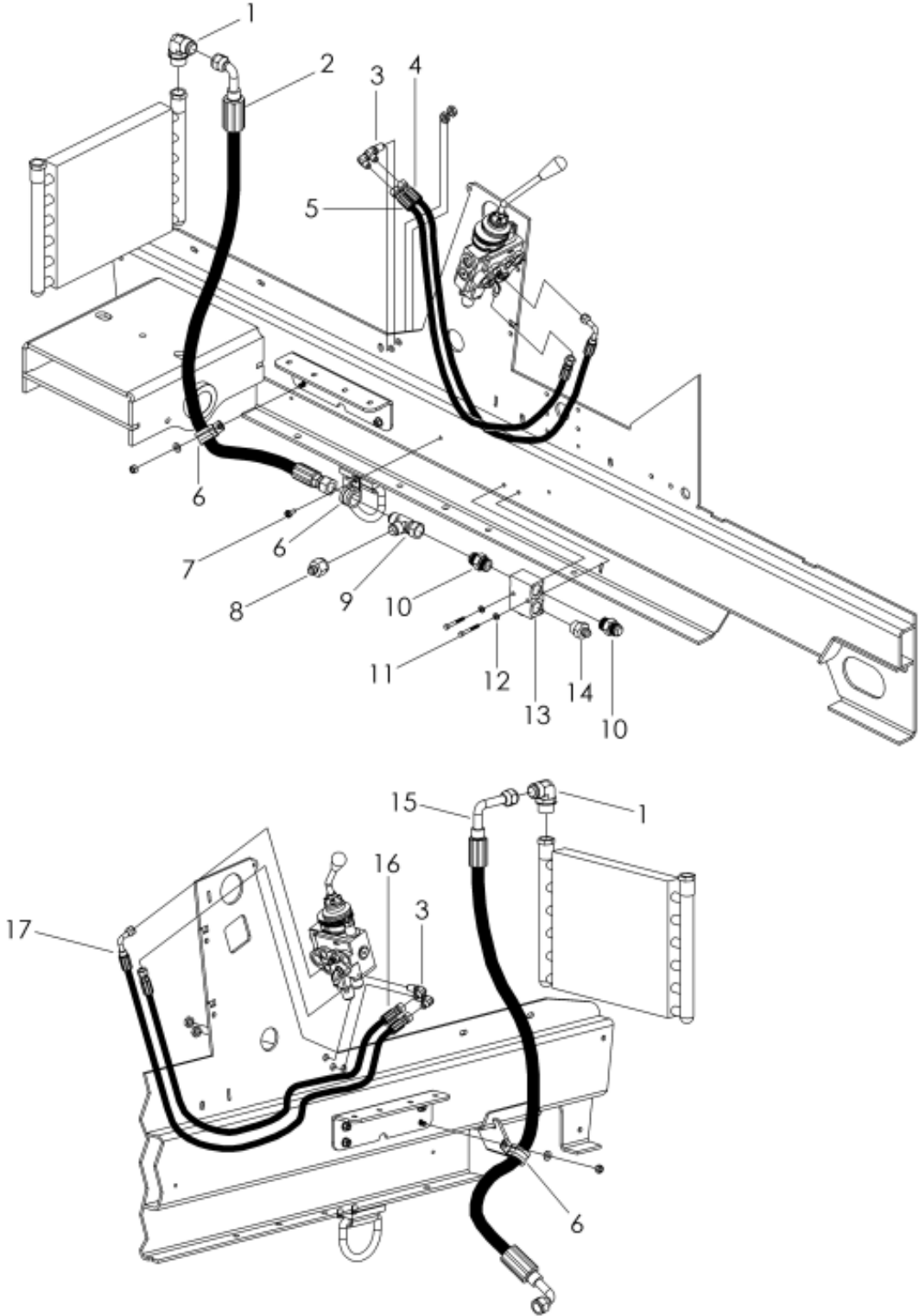
TLB 6235 ESL

NO	REQ'D	PART NO	DESCRIPTION
1	2	22-000029	HOSE ASSEMBLY 3/8 X 96" 6FJX-6FJX
NS	2	025060	HOSE SLEEVING, 60"
2	2	041080	1/4 - 20 NC X 1 TRUSS HEAD SCREW
3	4	022083	#16 CUSHION CLAMP, 1/2" HOLE
4	4	046436	12mm X 1.75mm X 30mm ALLEN HEAD BOLT
5	2	044023	1/4 - 20 NC NYLON INSERT NUT
6	2	022027	#16 CUSHION CLAMP, 1/4" HOLE

LEGEND: NS= Not Shown
** =Purchase locally

LOADER / OIL COOLER HYDRAULIC HOSES

TLB 6235 ESL



LOADER / OIL COOLER HYDRAULIC HOSES

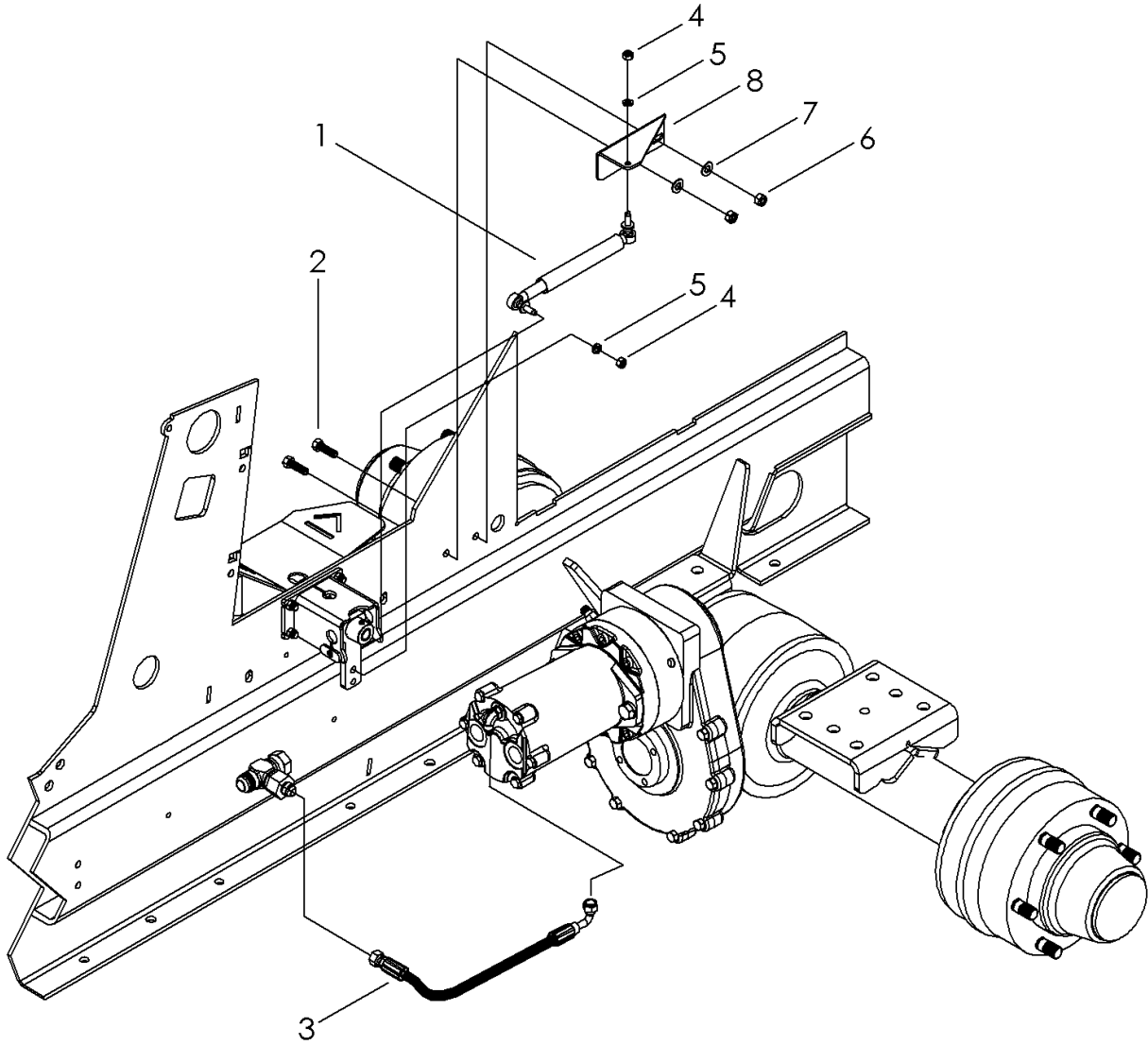
TLB 6235 ESL

NO	REQ'D	PART NO	DESCRIPTION
1	2	920679	HYDRAULIC ADAPTER STRAIGHT THREAD ELBOW, 6801-12-12
2	1	22-000220	HOSE ASSEMBLY 3/4 X 50" 12FJX-12FJX90S
3	4	920669	HYDRAULIC ADAPTER, 2701-LN-06-06-FG
4	1	920686	HOSE ASSEMBLY 3/8 X 24.5" 6FJX-6FJX90M
5	1	921191	HOSE ASSEMBLY 3/8 X 23" 6FJX-6FJX
6	3	022128	#18 CUSHION CLAMP, 1/2" HOLE
7	1	041075	5/16 - 18 NC X 3/4 TYPE F SELF TAPPING SCREW
8	1	22-001005	HYDRAULIC ADAPTER, 2406-12-06
9	1	920782	HYDRAULIC ADAPTER, 6602-12-12-12
10	2	920682	HYDRAULIC ADAPTER, 12 F50X-S
11	2	046035	1/4 - 20 NC X 2 GRADE 5 BOLT
12	2	043020	1/4 SPLIT LOCK WASHER
13	1	22-000161	30 PSI BY-PASS MANIFOLD VALVE
14	1	920816	HYDRAULIC ADAPTER, 8-12 C50X-S
15	1	22-000221	HOSE ASSEMBLY 3/4 X 48.5" 12FJX90S-10FJX90L @120°
16	1	920842	HOSE ASSEMBLY 3/8 X 39.5" 6FJX-6FJX
17	1	920841	HOSE ASSEMBLY 3/8 X 42" 6FJX-6FJX90M

LEGEND: NS= Not Shown
 ** =Purchase locally

PEDAL DAMPENER / DRIVE MOTOR HOSE

TLB 6235 ESL



PEDAL DAMPENER / DRIVE MOTOR HOSE

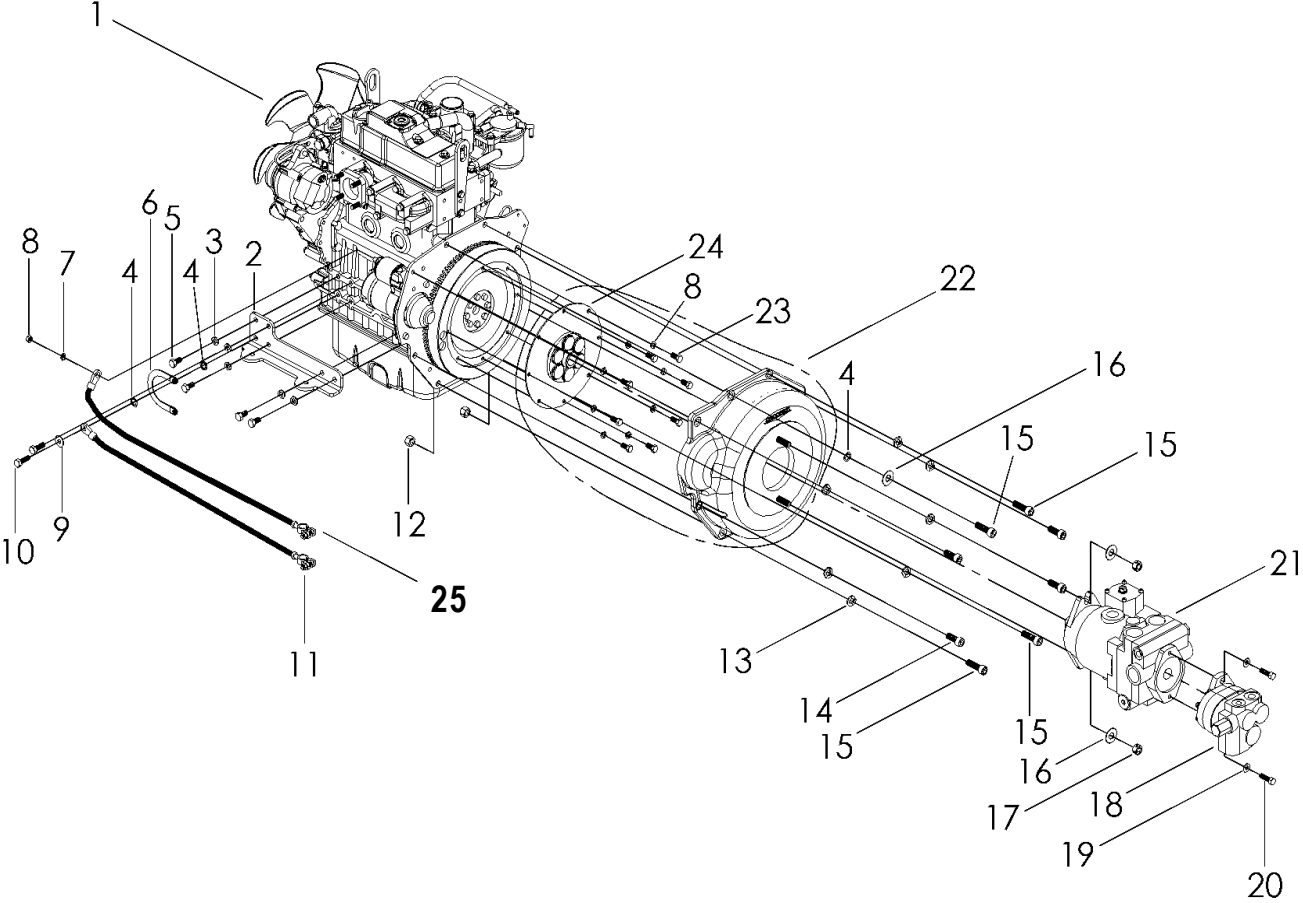
TLB 6235 ESL

NO	REQ'D	PART NO	DESCRIPTION
1	1	920811	CENTER DAMPENER
2	2	046115	3/8 - 16 NC X 1-1/4 GRADE 5 BOLT
3	1	22-000218	HOSE ASSEMBLY 3/8 X 18.5" 6FJX-6FJX90S
4	2	042082	8mm X 1.25mm HEX NUT
5	2	043055	5/16 SPLIT LOCK WASHER
6	1	044038	3/8 - 16 NC NYLON INSERT NUT
7	2	047016	3/8 SAE FLAT WASHER
8	2	15-000024	PEDAL DAMPENER MOUNTING BRACKET

LEGEND: NS= Not Shown
** =Purchase locally

3CD1 ISUZU ENGINE ASSEMBLY, LEFT SIDE

TLB 6235 ESL



3CD1 ISUZU ENGINE ASSEMBLY, LEFT SIDE

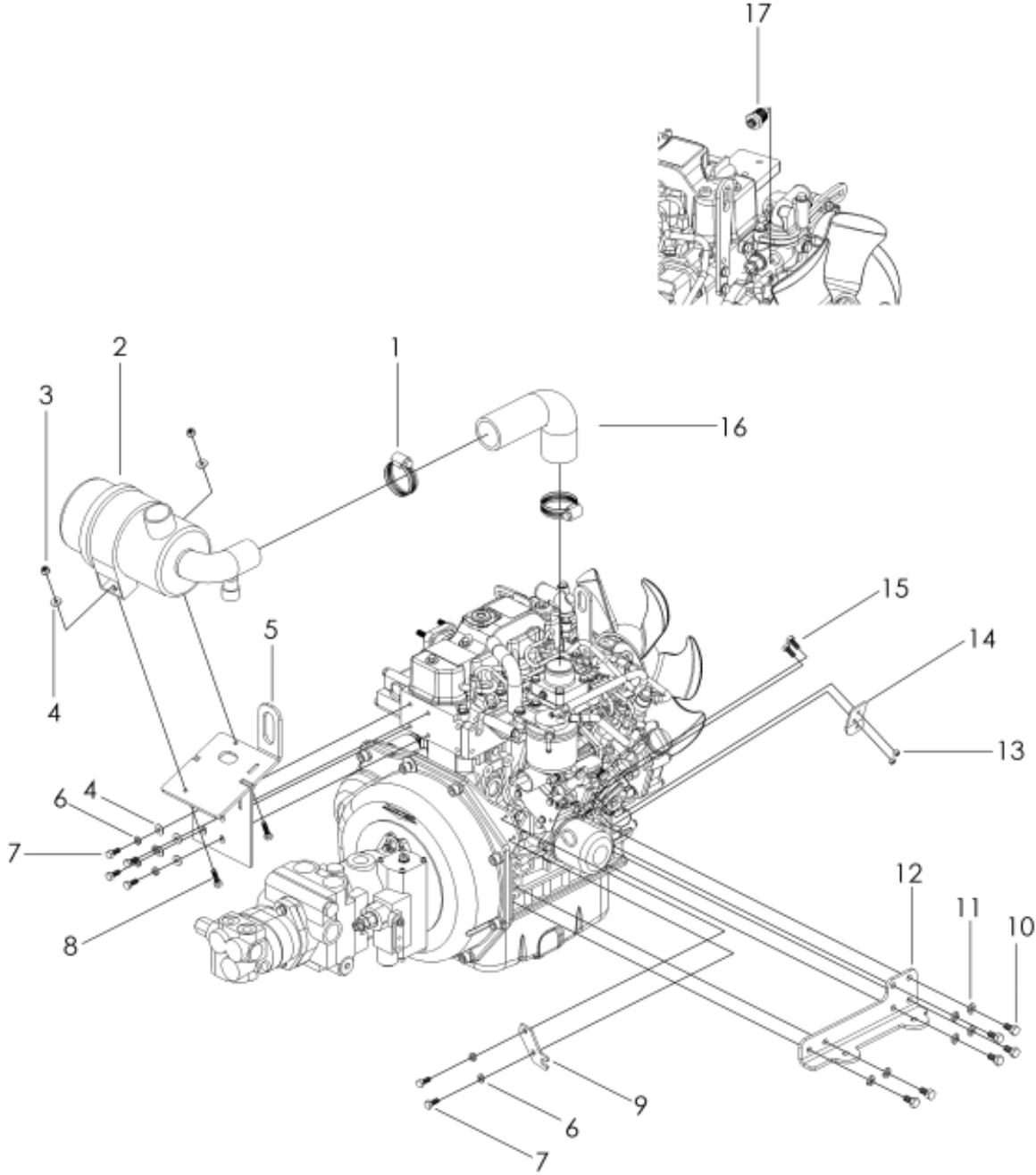
TLB 6235 ESL

NO	REQ'D	PART NO	DESCRIPTION
1	1	22-000301	ISUZU 3CD1 DIESEL ENGINE
NS		22-000309	ISUZU 3CD1 DIESEL ENGINE OIL FILTER
NS		22-000310	ISUZU 3CD1 DIESEL ENGINE FUEL FILTER
2	1	22-000011	ISUZU 3CD1 LEFT ENGINE MOUNT
3	11	042151	10mm SPLIT LOCK WASHER
4	3	043090	1/2 INTERNAL TOOTH LOCK WASHER
5	10	042037	10mm X 1.5mm X 20mm GRADE 8.8 BOLT
7	9	043055	5/16 SPLIT LOCK WASHER
8	1	042082	8mm X 1.25mm HEX NUT
9	1	047015	3/8 FLAT WASHER
10	2	042040	10mm X 1.5mm X 30mm GRADE 8.8 BOLT
11	1	027030	60" BATTERY CABLE BLACK
12	2	**	12mm X 1.75mm HEX NUT
13	7	**	12mm SPLIT LOCK WASHER
14	4	046436	12mm X 1.75mm X 30mm ALLEN HEAD BOLT
15	4	046434	12mm X 1.75mm X 40mm ALLEN HEAD BOLT
16	3	047025	1/2 FLAT WASHER
17	2	044026	1/2 - 13 NC SIDE LOCK NUT
18	1	921015	GEAR PUMP
19	2	920283	3/8 COPPER PLATED WASHER
20	2	046115	3/8 - 16 NC X 1-1/4 GRADE 5 BOLT
21	1	22-000306	HYDROSTAT
22	1	22-000307	ISUZU 3CD1 HAYES BELLHOUSING KIT
23	8	042027	8mm X 1.25mm X 16mm GRADE 10.9 BOLT
24	1	22-001000	ISUZU 3CD1 FLYWHEEL COUPLER PLATE
25	1	027031	60" BATTERY CABLE RED

LEGEND: NS= Not Shown
** =Purchase locally

3CD1 ISUZU ENGINE ASSEMBLY, RIGHT SIDE

TLB 6235 ESL



3CD1 ISUZU ENGINE ASSEMBLY, RIGHT SIDE

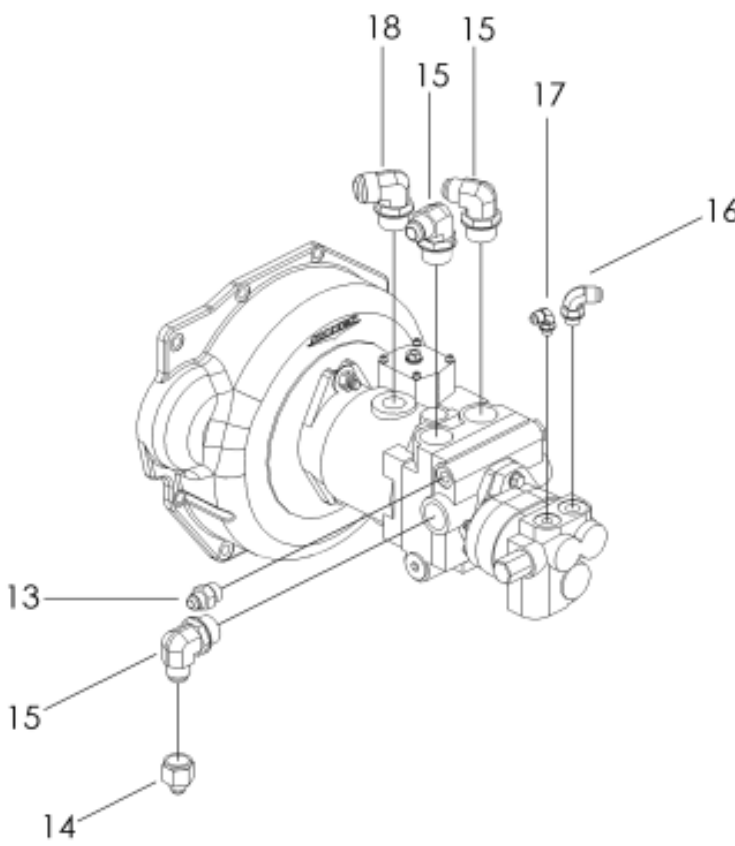
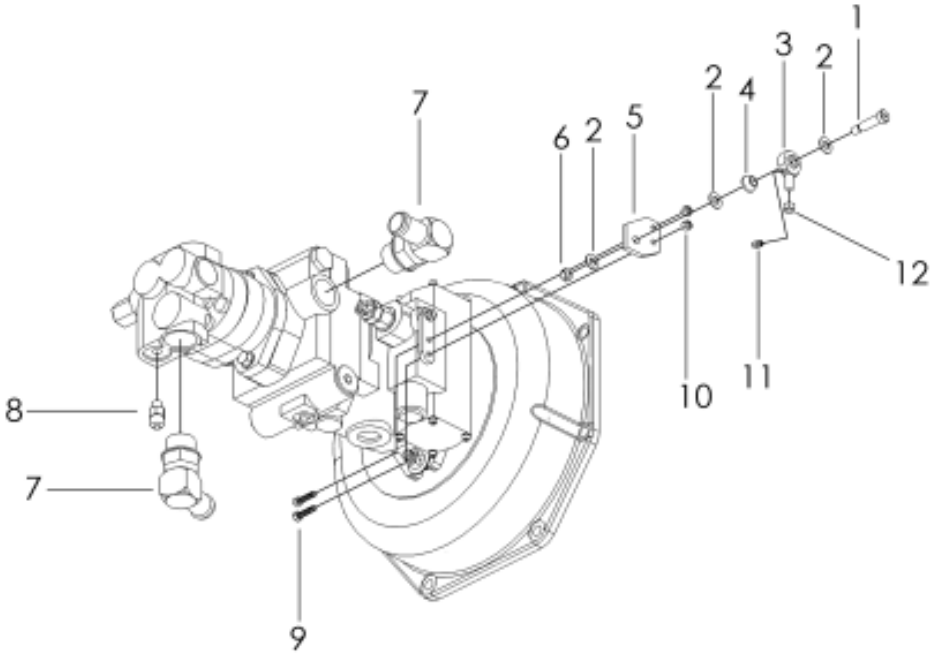
TLB 6235 ESL

NO	REQ'D	PART NO	DESCRIPTION
1	2	045038	#32 HOSE CLAMP
2	1	921142	RADIAL SEAL AIR CLEANER
3	2	044031	5/16 - 18 NC HEX KEPS NUT
4	6	047005	1/4 FLAT WASHER
5	1	15-000287	ISUZU 3CD1 AIR CLEANER BRACKET
6	6	043055	5/16 SPLIT LOCK WASHER
7	6	042033	8mm X 1.25mm X 20mm GRADE 10.5 BOLT
8	2	046055	5/16 - 18 NC X 1-1/4 GRADE 5 BOLT
9	1	15-000289	ISUZU 3CD1 THROTTLE CABLE BRACE
10	6	042037	10mm X 1.5mm X 20mm GRADE 8.8 BOLT
11	6	042151	10mm SPLIT LOCK WASHER
12	1	22-000012	ISUZU 3CD1 RIGHT ENGINE MOUNT
13	2	044023	1/4 - 20 NC NYLON INSERT NUT
14	1	15-000288	ISUZU 3CD1 THROTTLE ARM BRACKET
15	2	046045	1/4 - 20 NC X 3/4 GRADE 5 BOLT
16	1	15-000301	ISUZU 3CD1 AIR INTAKE HOSE
17	1	920869	TEMPERATURE SWITCH

LEGEND: NS= Not Shown
** =Purchase locally

HYDROSTAT ASSEMBLY

TLB 6235 ESL



HYDROSTAT ASSEMBLY

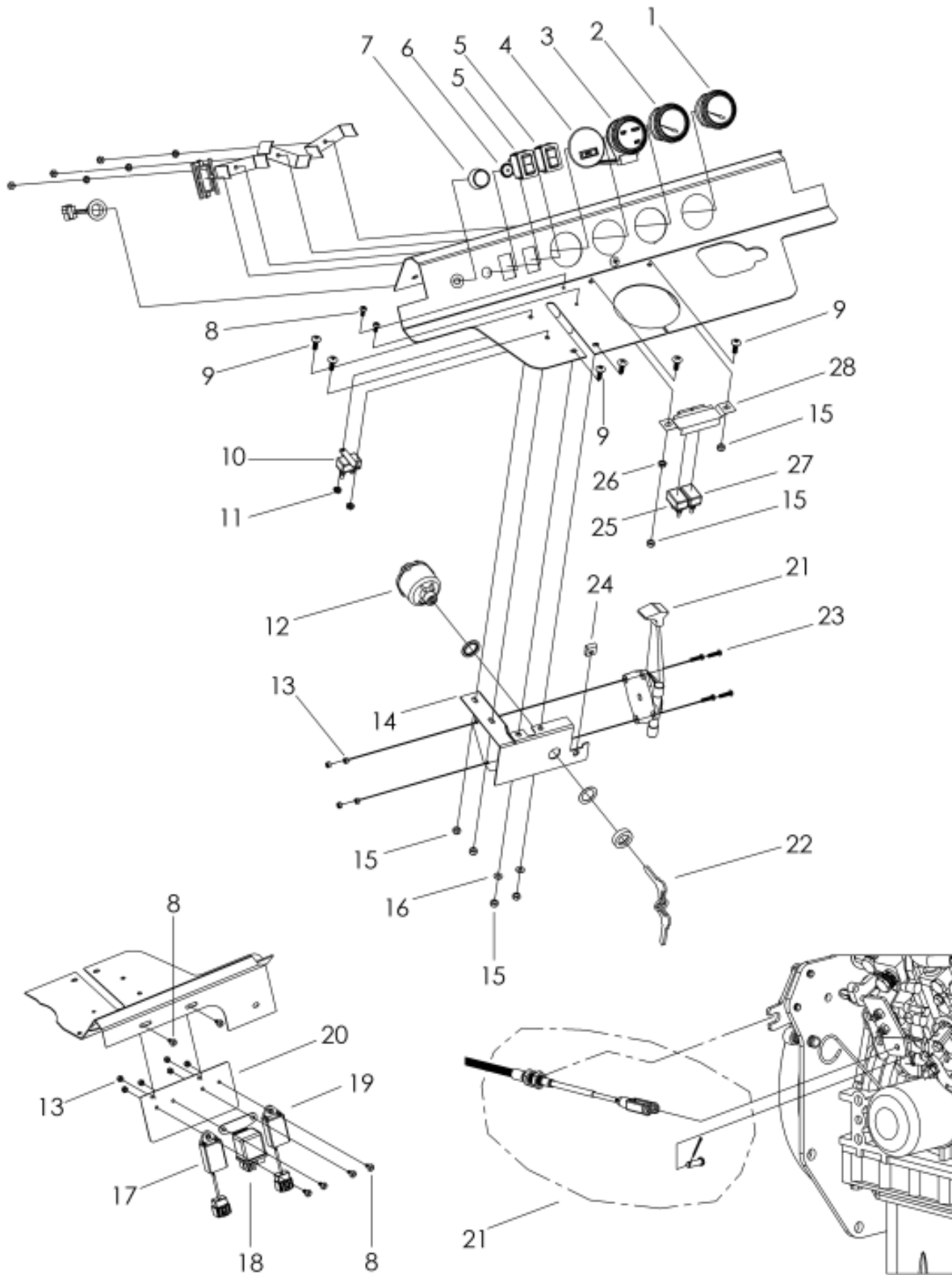
TLB 6235 ESL

NO	REQ'D	PART NO	DESCRIPTION
1	1	921215	3/8 X 1-1/4 SHOULDER BOLT
2	3	047010	5/16 FLAT WASHER
3	1	921174	3/8 ROD END(LEFT HAND)
4	1	921172	CONICAL SPACER
5	1	15-000124	HYDROSTAT ACTUATOR ARM
6	1	044039	5/16 - 18 NC CENTER LOCK NUT
7	2	921218	HYDRAULIC ADAPTER ELBOW, 4601-16-08
8	1	930164	HYDRAULIC ADAPTER, 6400-06-04
9	2	046015	1/4 - 20 NC X 1 GRADE 5 BOLT
10	2	044023	1/4 - 20 NC NYLON INSERT NUT
11	1	401256	1/4 - 28 NF STRAIGHT GREASE ZERK
12	1	921175	3/8 - 24 NF JAM NUT (LEFT HAND)
13	1	920818	HYDRAULIC ADAPTER, 6400-08-10-0
14	1	026101	HYDRAULIC ADAPTER REDUCER
15	3	920817	HYDRAULIC ADAPTER 90°, 12-16 C50X
16	1	320070	HYDRAULIC ADAPTER STRAIGHT THREAD ELBOW, 6801-08-08
17	1	920692	HYDRAULIC ADAPTER STRAIGHT THREAD ELBOW, 6801-06-06
18	1	920679	HYDRAULIC ADAPTER STRAIGHT THREAD ELBOW, 6801-12-12

LEGEND: NS= Not Shown
 ** =Purchase locally

3CD1 ISUZU DASH ASSEMBLY

TLB 6235 ESL



3CD1 ISUZU DASH ASSEMBLY

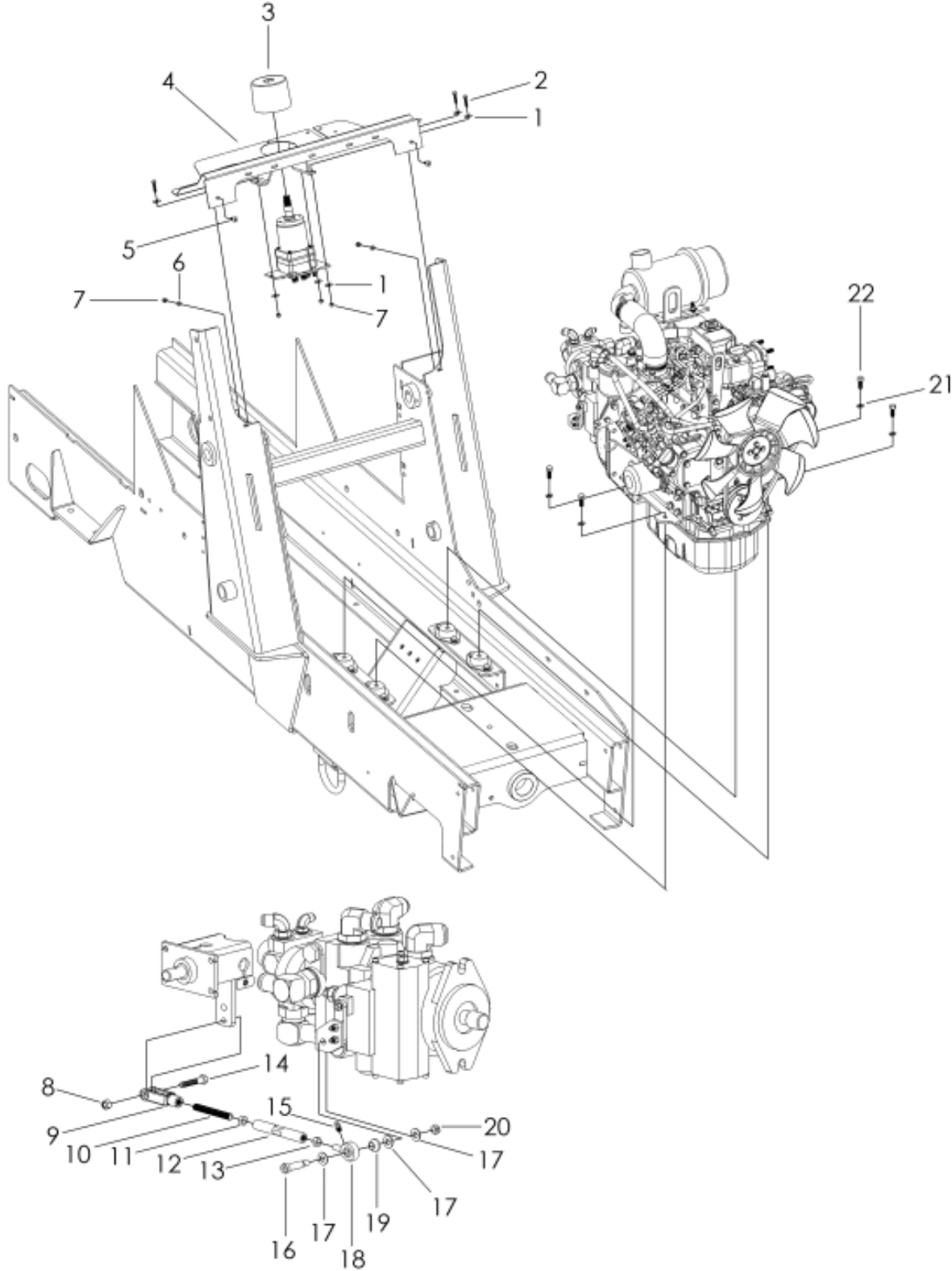
TLB 6235 ESL

NO	REQ'D	PART NO	DESCRIPTION
1	1	920868	WATER TEMPERATURE GAUGE
2	1	920462	CLUSTER GAUGE
3	1	920867	OIL TEMPERATURE GAUGE
4	1	340014	HOUR METER
5	1	920865	ROCKER SWITCH
6	1	433329	5/8 CAP PLUG
7	1	920878	GLOW PLUG LIGHT
8	2	041021	#10 - 24 NC X 1/2 SCREW
9	6	041050	1/4 - 20 NC X 3/4 TRUSS HEAD SCREW
10	1	650139	30 AMP CIRCUIT BREAKER WITH MOUNT
11	2	044016	#10 - 24 NC HEX KEPS NUT
12	1	922004	IGNITION SWITCH
13	4	044018	#10 - 24 NC SS NYLON INSERT NUT
14	1	15-000074	THROTTLE BRACKET
15	6	044023	1/4 - 20 NC NYLON INSERT NUT
16	2	047009	1/4 FLAT WASHER
17	1	22-001003	TIMER UNIT, HC01 19
18	1	22-001002	GLOW RELAY
19	1	22-000315	TIMER UNIT, HC01 08
20	1	22-000017	ISUZU 3CD1 ELECTRICAL COMPONENT MOUNT PLATE
21	1	920902	THROTTLE CABLE ASSEMBLY
		920694	THROTTLE CABLE CLEVIS END
		921019	THROTTLE CABLE KIT, CABLE/CLEVIS/BRACKET
22	1	921441	IGNITION KEYS (SINGLE)
23	4	041027	#10 - 24 NC X 3/4 SCREW
24	1	045216	1/4 - 20 NC TINNERMAN NUT
25	1	920441	15 AMP CIRCUIT BREAKER
26	1	044021	1/4 - 20 NC HEX KEPS NUT
27	1	620087	30 AMP CIRCUIT BREAKER
28	1	640163	CIRCUIT BREAKER MOUNTING BRACKET
NS		030053	36" TRIM LOCK (LOWER EDGE OF INSTRUMENT PANEL)
NS		922005	IGNITION TUMBLER, W/KEYS
NS		22-000163	ISUZU 3CD1 WIRING HARNESS

LEGEND: NS= Not Shown
 ** =Purchase locally

ENGINE INSTALLATION / PEDAL LINKAGE

TLB 6235 ESL



ENGINE INSTALLATION / PEDAL LINKAGE

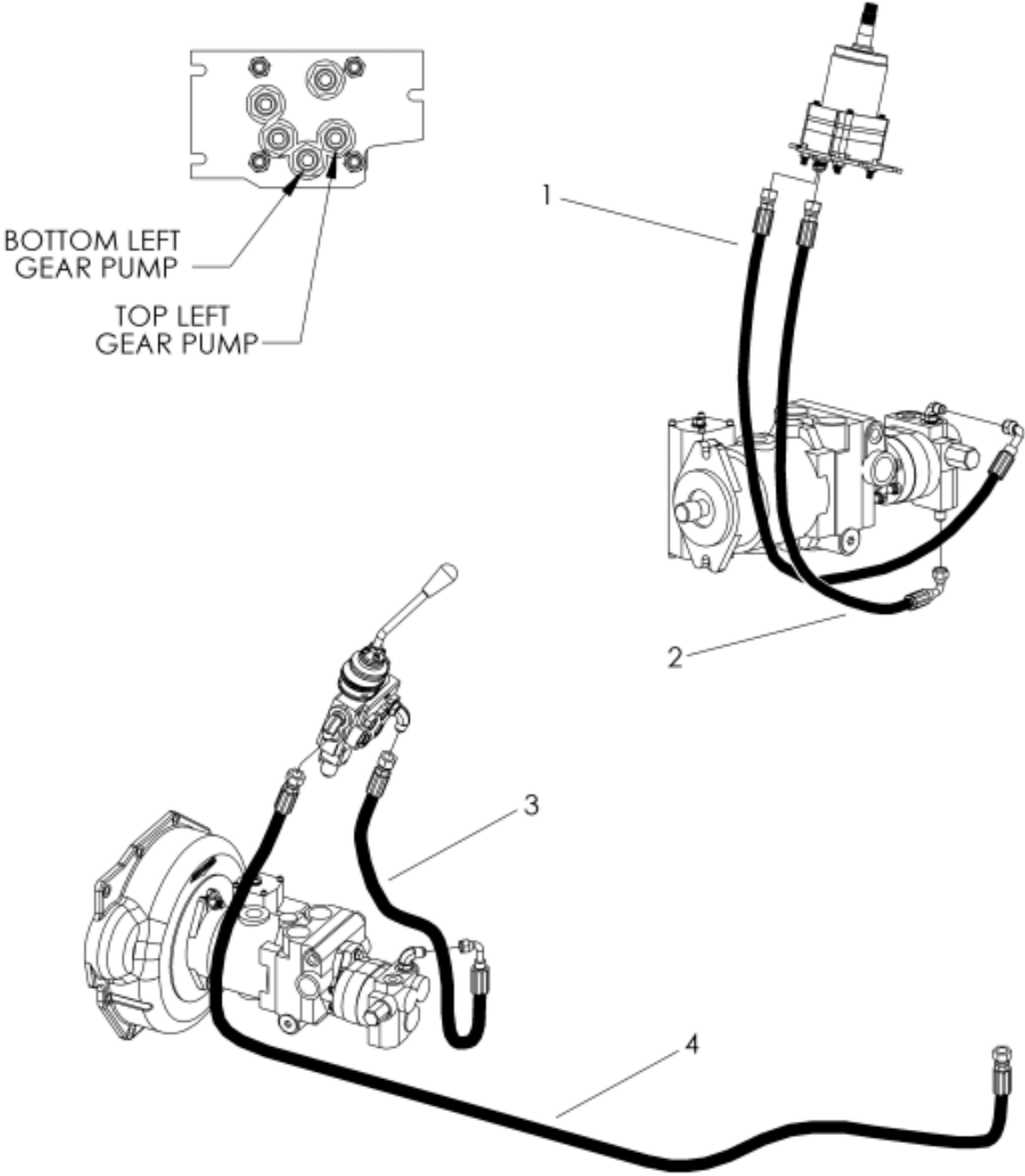
TLB 6235 ESL

NO	REQ'D	PART NO	DESCRIPTION
1	6	047005	1/4 FLAT WASHER
2	3	046015	1/4 - 20 NC X 1 GRADE 5 BOLT
3	1	930350	ORBITAL COVER
4	1	15-000071	ISUZU INSTRUMENT PANEL
5	2	041050	1/4 - 20 NC X 3/4 TRUSS HEAD SCREW
6	2	047009	1/4 SAE FLAT WASHER
7	5	044023	1/4 - 20 NC NYLON INSERT NUT
8	1	044090	5/16 - 18 NC TOP LOCK NUT
9	1	22-000083	3/8 - 24 NF STRAIGHT YOKE
10	1	045143	3/8 - 24 NF X 3 STUD
11	1	921176	3/8 - 24 NF HEX JAM NUT
12	1	22-000102	4X4 HYDROSTAT CONTROL LINK
13	1	921175	3/8 - 24 NF HEX JAM NUT (LEFT HAND)
14	2	043065	3/8 SPLIT LOCK WASHER
15	1	401256	1/4 - 28 NF STRAIGHT GREASE ZERK
16	1	921215	3/8 X 1-1/4 SHOULDER BOLT
17	3	047010	5/16 FLAT WASHER
18	1	921174	3/8 - 24 NF ROD END (LEFT HAND)
19	1	921172	CONICAL SPACER
20	1	044039	5/16 - 18 NC CENTER LOCK NUT
21	2	046110	3/8 - 16 NC X 1 GRADE 5 BOLT
22	1	046065	5/16 - 18 NC X 1-3/4 GRADE 5 BOLT

LEGEND: NS= Not Shown
** =Purchase locally

GEAR PUMP HYDRAULIC HOSES

TLB 6235 ESL



GEAR PUMP HYDRAULIC HOSES

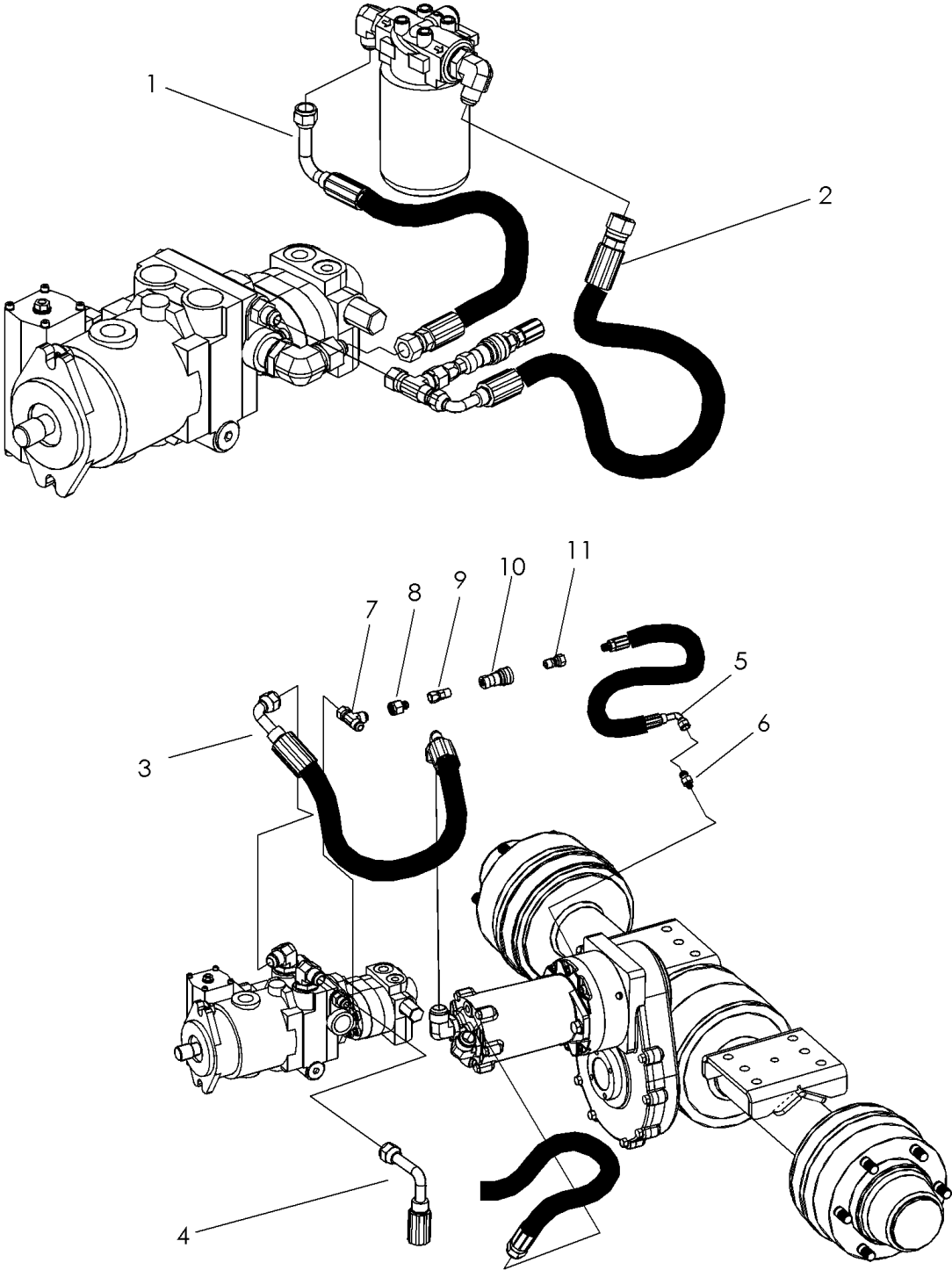
TLB 6235 ESL

NO	REQ'D	PART NO	DESCRIPTION
1	1	921194	HOSE ASSEMBLY 3/8 X 30" 6FJX-6FJX90S
2	1	921195	HOSE ASSEMBLY 3/8 X 29.5" 6FJX-6FJX90S
3	1	921192	HOSE ASSEMBLY 1/2 X 36" 8FJX-8FJX90S
4	1	921193	HOSE ASSEMBLY 1/2 X 93" 8FJX-8FJX

LEGEND: NS= Not Shown
** =Purchase locally

DRIVE MOTOR / RIGHT OIL FILTER HOSES

TLB 6235 ESL



DRIVE MOTOR / RIGHT OIL FILTER HOSES

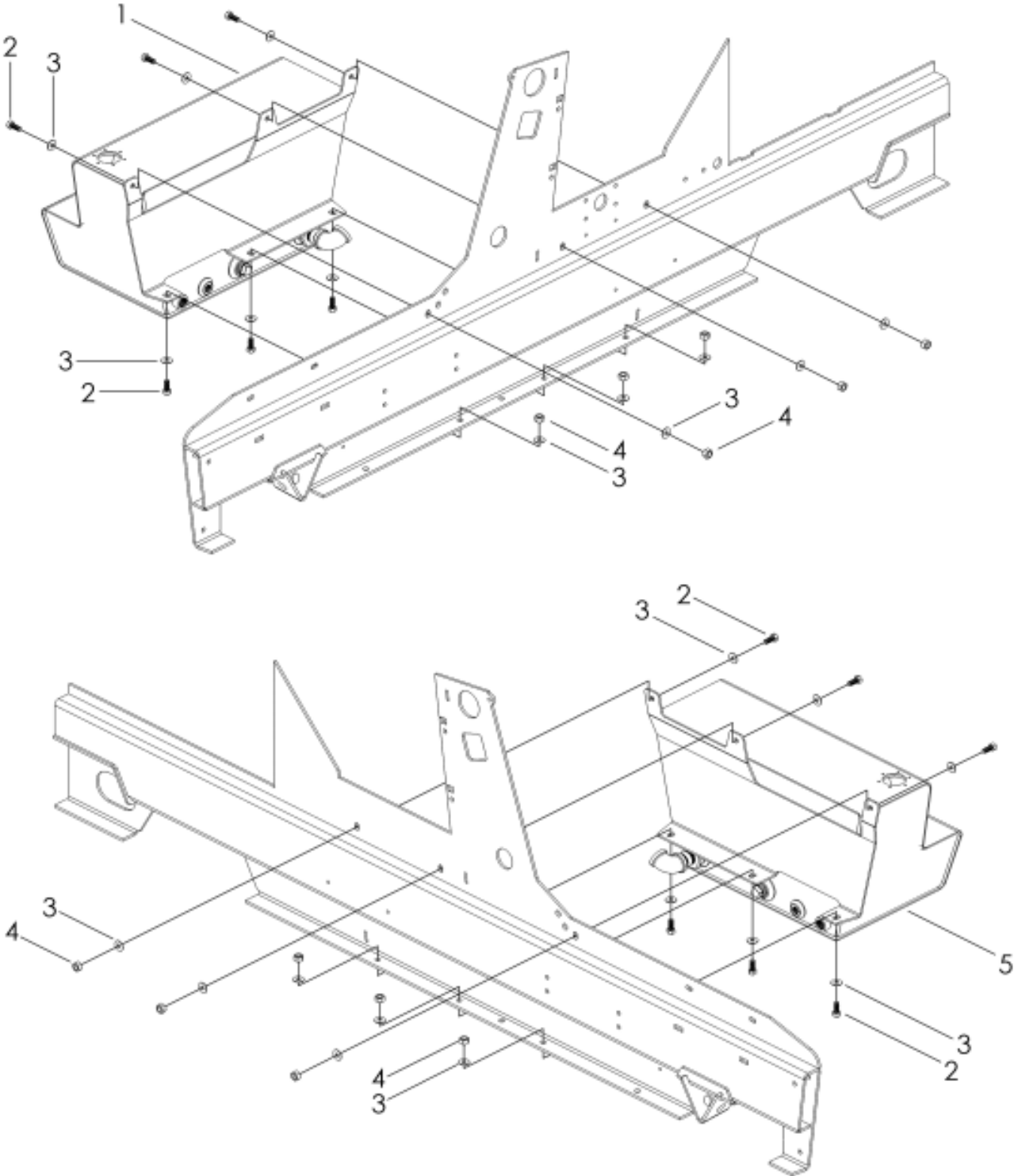
TLB 6235 ESL

NO	REQ'D	PART NO	DESCRIPTION
1	1	22-000093	HOSE ASSEMBLY 1/2 X 25.5" 8FJX-8FJX90L
2	1	22-000092	HOSE ASSEMBLY 1/2 X 23" 8FJX-8FJX90S
3	1	22-000026	HOSE ASSEMBLY 3/4 X 25" 12FJX90S-12FJX90S @ 130°
4	1	932086	HOSE ASSEMBLY 12FJX-12FJX90S-20.5
5	1	932085	HOSE ASSEMBLY 6M3K-4MPT-6FJX90S-18.5
6	1	930164	HYDRAULIC ADAPTER 6400-06-04-O
7	1	920835	HYDRAULIC ADAPTER 6602-08-08-08-FG
8	1	22-000082	REDUCER FITTING 2406-08-06
9	1	352260	HYDRAULIC ADAPTER 6505-04-06
10	1	932090	QUICK COUPLER HYDRAULIC FEMALE 4FPT
11	1	932089	QUICK COUPLER HYDRAULIC MALE 4FPT

LEGEND: NS= Not Shown
 ** =Purchase locally

HYDRAULIC RESERVOIR INSTALLATION

TLB 6235 ESL



HYDRAULIC RESERVOIR INSTALLATION

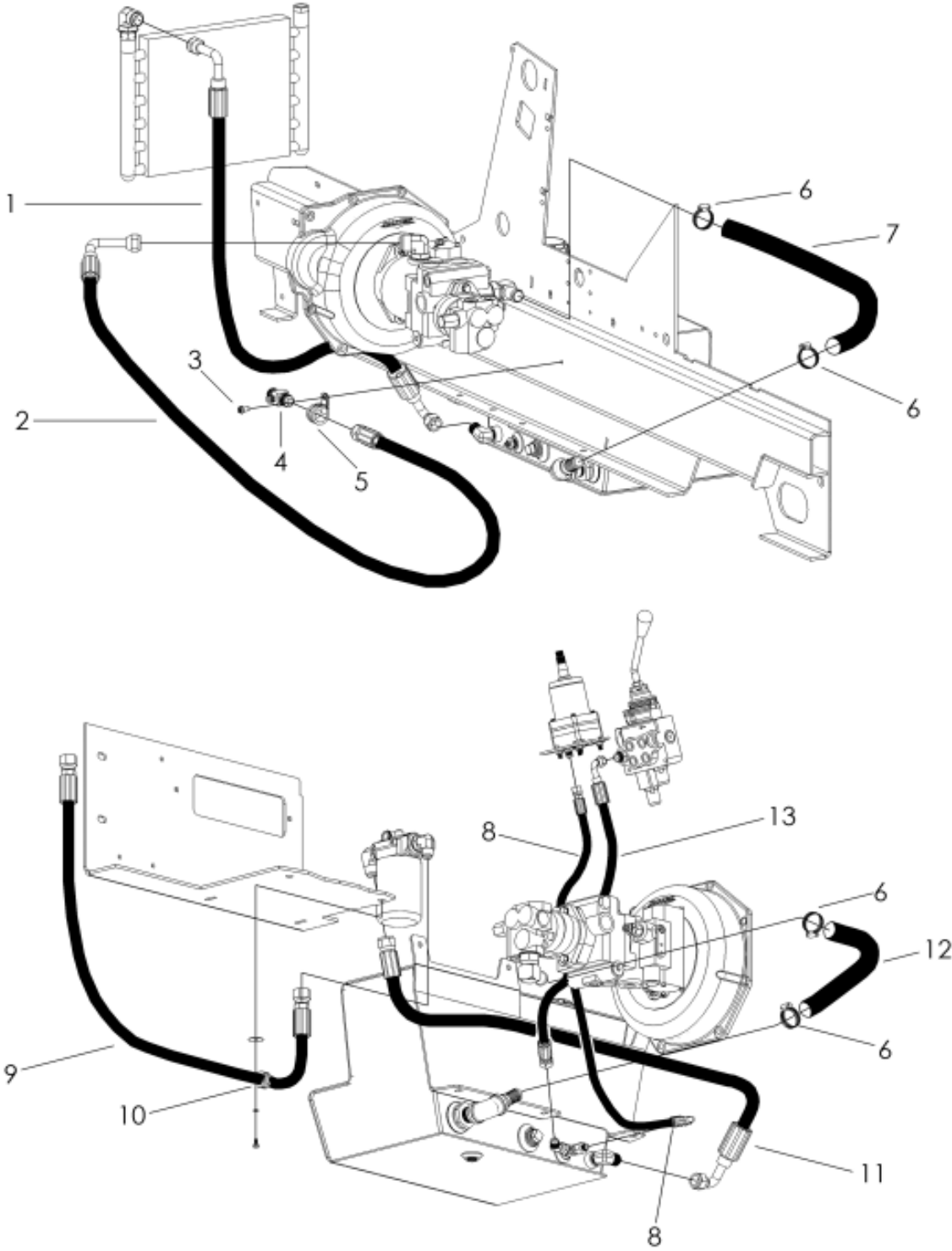
TLB 6235 ESL

NO	REQ'D	PART NO	DESCRIPTION
1	1	22-000014	RIGHT HYDRAULIC RESERVOIR
2	12	046156	7/16 - 20 NF X 1 GRADE 5 BOLT
3	24	047015	3/8 FLAT WASHER
4	12	044094	7/16 - 20 NF TOP LOCK NUT
5	2	22-000015	LEFT HYDRAULIC RESERVOIR

LEGEND: NS= Not Shown
** =Purchase locally

RESERVOIR HYDRAULIC HOSES

TLB 6235 ESL



RESERVOIR HYDRAULIC HOSES

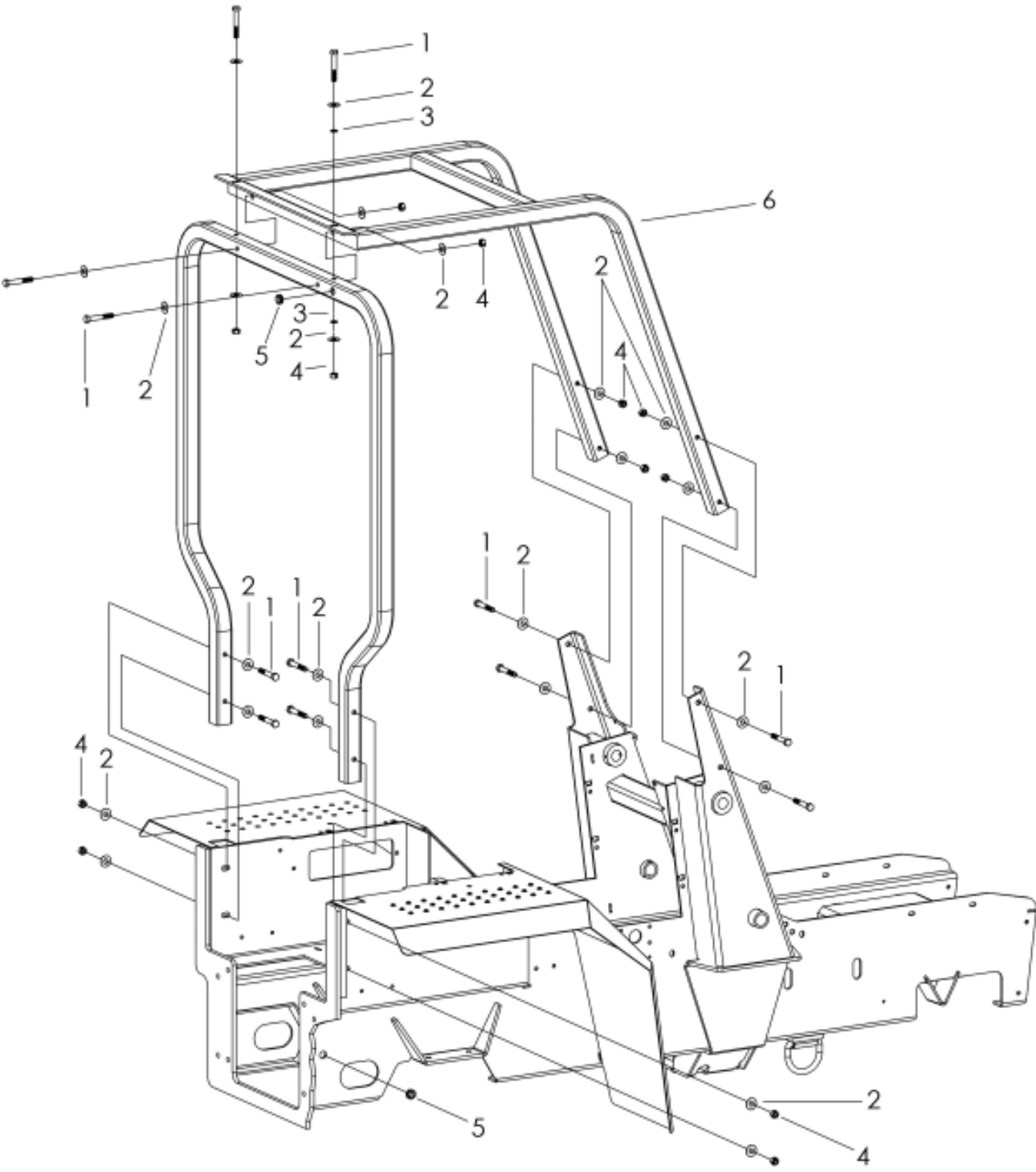
TLB 6235 ESL

NO	REQ'D	PART NO	DESCRIPTION
1	1	22-000221	HOSE ASSEMBLY 3/4 X 48.5" 12FJX90S-12FJX90L @ 120°
2	1	22-000219	HOSE ASSEMBLY 3/4 X 44" 12FJX-12FJX90L
3	1	041075	5/16 - 18 NC X 3/4 TYPE F SELF TAPPING SCREW
4	1	22-000312	HYDRAULIC ADAPTER T-FITTING, 2603-12-12-06
5	1	022128	#18 CUSHION CLAMP, 1/2" HOLE
6	4	045035	HOSE CLAMP
7	1	921206	HOSE ASSEMBLY 1" - 26"
8	1	22-000189	HOSE ASSEMBLY 3/8 X 38" 6FJX-6FJX90S
9	1	921203	HOSE ASSEMBLY 5/8 X 55" 10FJX-10FJX
10	1	022027	1/2" CUSHION CLAMP, 1/2" HOLE
11	1	22-000184	HOSE ASSEMBLY 3/4 X 45" 12FJX-12FJX90S
12	1	921207	HOSE ASSEMBLY 1" - 20"
13	1	22-000183	HOSE ASSEMBLY 1/2 X 42" 8FJX-8FJX90S

LEGEND: NS= Not Shown
** =Purchase locally

ROPS KIT ASSEMBLY

TLB 6235 ESL



ROPS KIT ASSEMBLY

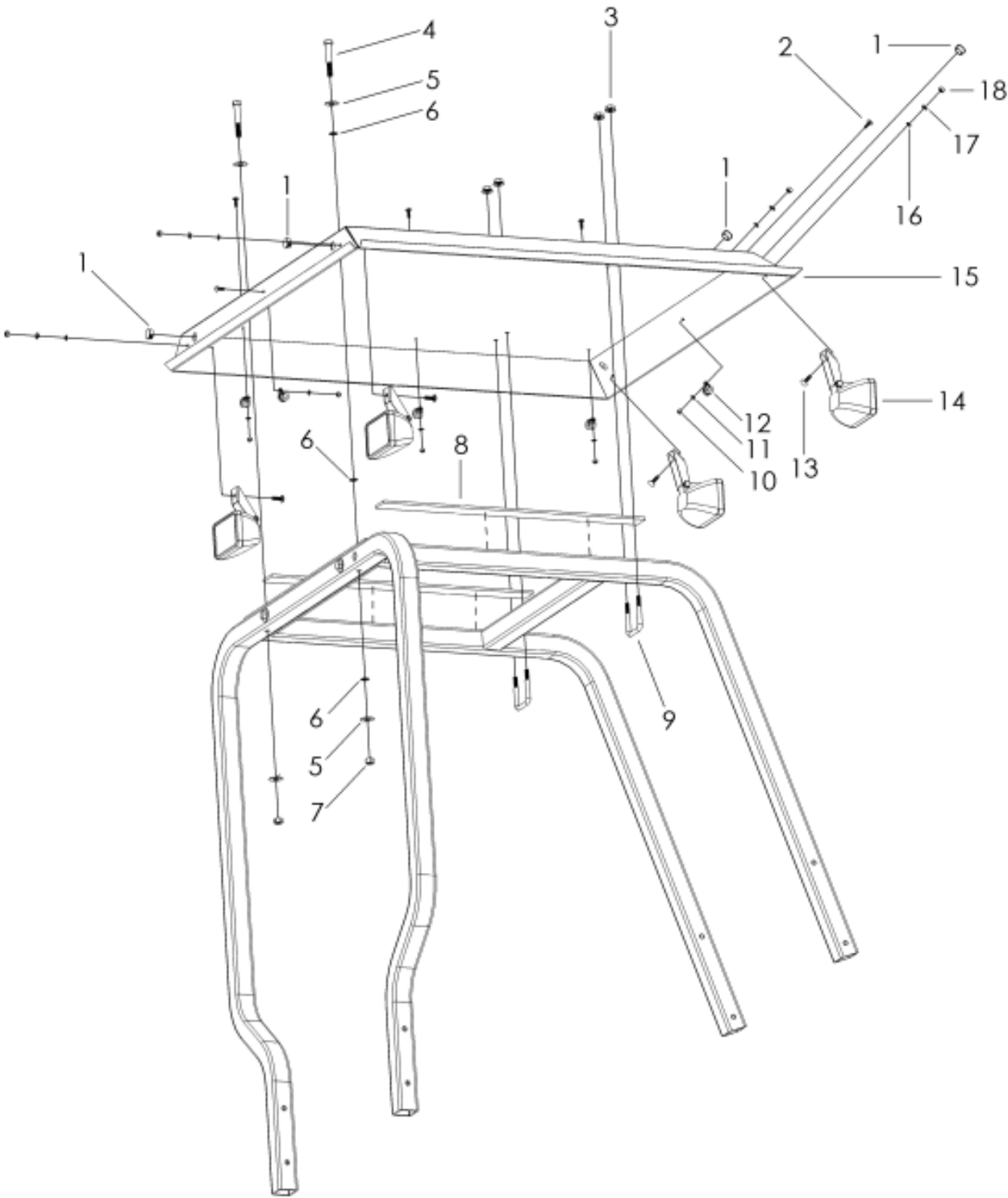
TLB 6235 ESL

NO	REQ'D	PART NO	DESCRIPTION
1	12	**	1/2 - 13 NC X 3-1/4 GRADE 5 BOLT
2	24	047025	1/2 FLAT WASHER
3	2	043090	1/2 INTERNAL TOOTH LOCK WASHER
4	12	044126	1/2 - 13 NC SIDE LOCK NUT
5	2	711028	7/16 O.D. X 9/16 RUBBER GROMMET
6	1	92T011	ROPS KIT FRONT POST ASSEMBLY REAR POST ASSEMBLY

LEGEND: NS= Not Shown
** =Purchase locally

FOPS KIT ASSEMBLY

TLB 6235 ESL



FOPS KIT ASSEMBLY

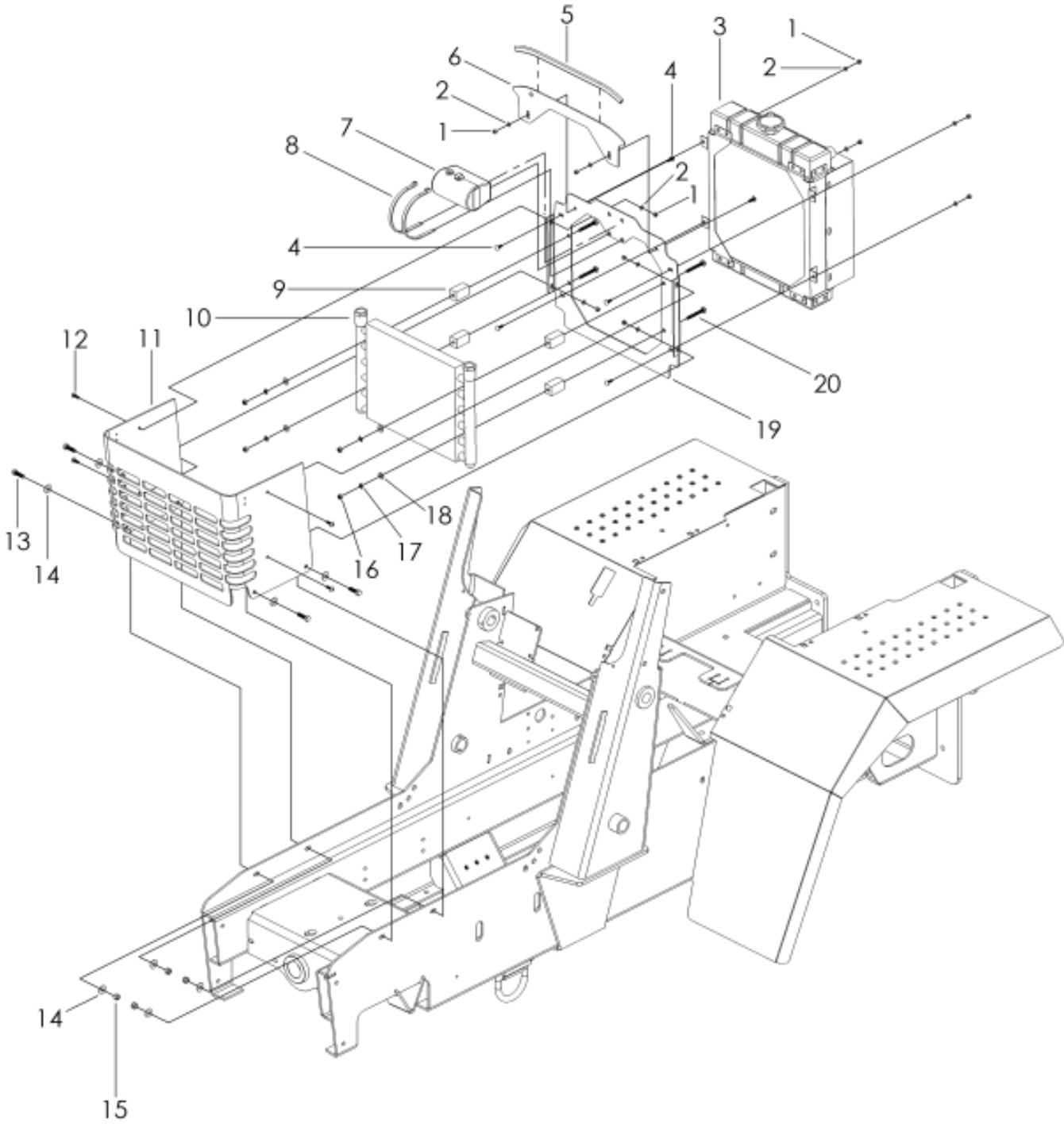
TLB 6235 ESL

NO	REQ'D	PART NO	DESCRIPTION
1	4	711029	7/8 BLACK DOME PLUG
2	5	041050	1/4 - 20 NC X 3/4 TRUSS HEAD SCREW
3	4	**	3/8 - 16 NC FLANGE NUT
4	2	**	1/2 - 13 NC X 3-1/4 GRADE 5 BOLT
5	4	047025	1/2 FLAT WASHER
6	3	043090	1/2 INTERNAL TOOTH LOCK WASHER
7	2	044126	1/2 - 13 NC SIDE LOCK NUT
8	2	030010	2" X 1/4" RUBBER STRIP, 27"
9	1	22-001001	FOPS MOUNTING KIT
10	5	044023	1/4 - 20 NC NYLON INSERT NUT
11	5	047009	1/4 SS FLAT WASHER
12	5	022022	#8 CUSHION CLAMP, 1/4" HOLE
13	4	053020	5/16 - 18 NC X 1 CARRIAGE BOLT
14	4	920445	TRACTOR IMPLEMENT LIGHT
15	1	10-000217	METAL FOPS
16	4	043060	5/16 INTERNAL TOOTH LOCK WASHER
17	4	043055	5/16 SPLIT LOCK WASHER
18	4	044030	5/16 - 18 NC HEX NUT
NS	1	22-000222	FOPS LIGHT WIRING HARNESS

LEGEND: NS= Not Shown
** =Purchase locally

NOSE ASSEMBLY

TLB 6235 ESL



NOSE ASSEMBLY

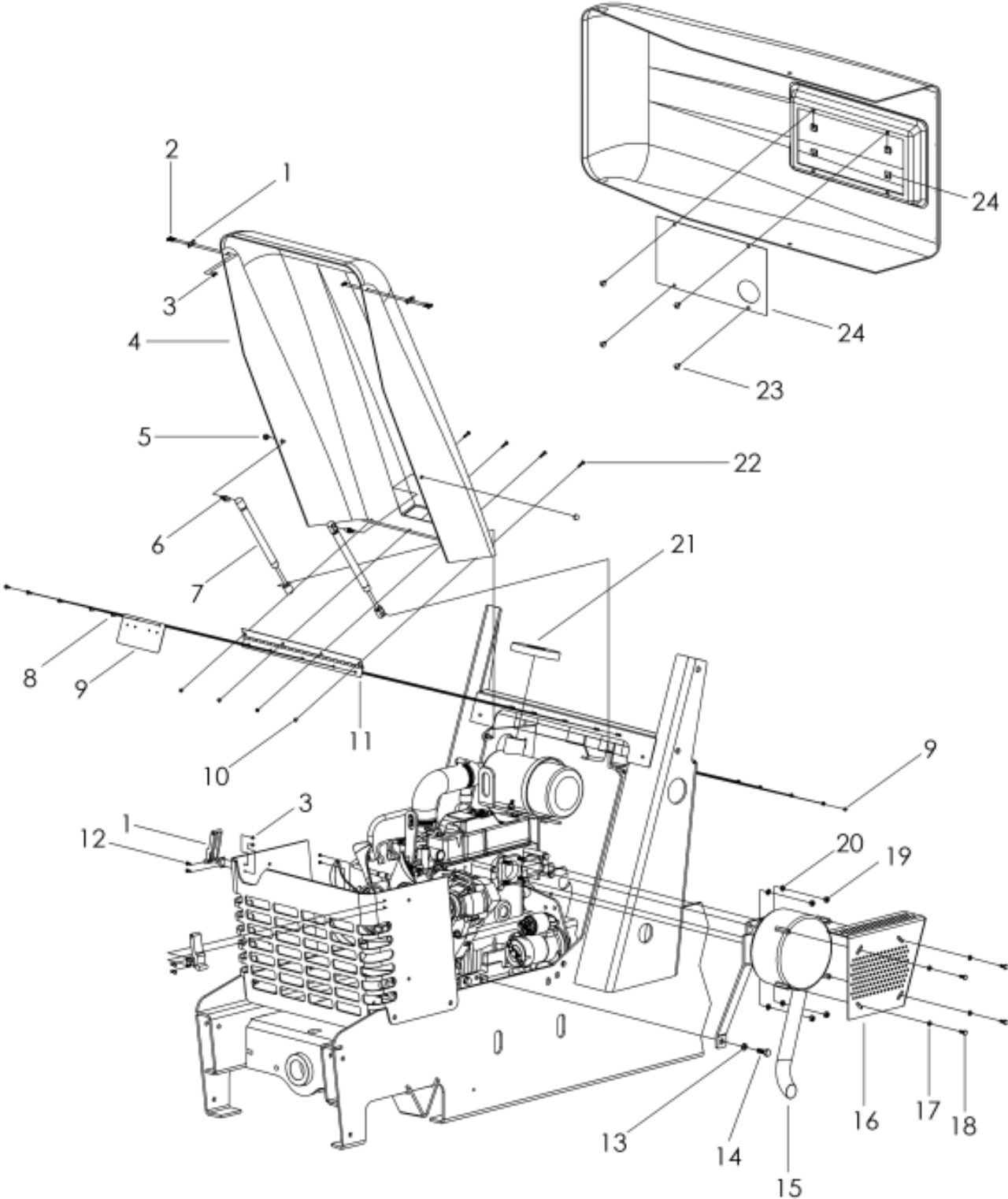
TLB 6235 ESL

NO	REQ'D	PART NO	DESCRIPTION
1	10	044023	1/4 - 20 NC NYLON INSERT NUT
2	10	047009	1/4 SS FLAT WASHER
3	1	920813	ISUZU RADIATOR
4	6	053006	1/4 - 20 NC X 3/4 CARRIAGE BOLT
5	1	920563	TRIMLOCK, 25"
6	1	15-000082	ISUZU HOOD ADJUSTMENT PLATE
7	1	920472	RECOVERY TANK
8	2	**	RECOVERY TANK MOUNTING STRAPS
9	2	920332	OIL COOLER MOUNTING KIT (INCLUDES 2 RUBBER BLOCKS AND HARDWARE)
10	1	920780	OIL COOLER
11	1	22-000021	NOSE, TLB 6235
12	4	041050	1/4 - 20 NC X 3/4 TRUSS HEAD SCREW
13	4	046115	3/8 - 16 NC X 1-1/4 GRADE 5 BOLT
14	8	047015	3/8 FLAT WASHER
15	4	044038	3/8 - 16 NC NYLON INSERT NUT
16	4	044030	5/16 - 18 NC HEX NUT
17	4	043055	5/16 SPLIT LOCK WASHER
18	4	047010	5/16 FLAT WASHER
19	1	22-000008	HOOD SUPPORT, TLB 6235
20	4	053026	5/16 - 18 NC X 2-1/2 CARRIAGE BOLT

LEGEND: NS= Not Shown
 ** =Purchase locally

HOOD AND MUFFLER ASSEMBLIES

TLB 6235 ESL



HOOD AND MUFFLER ASSEMBLIES

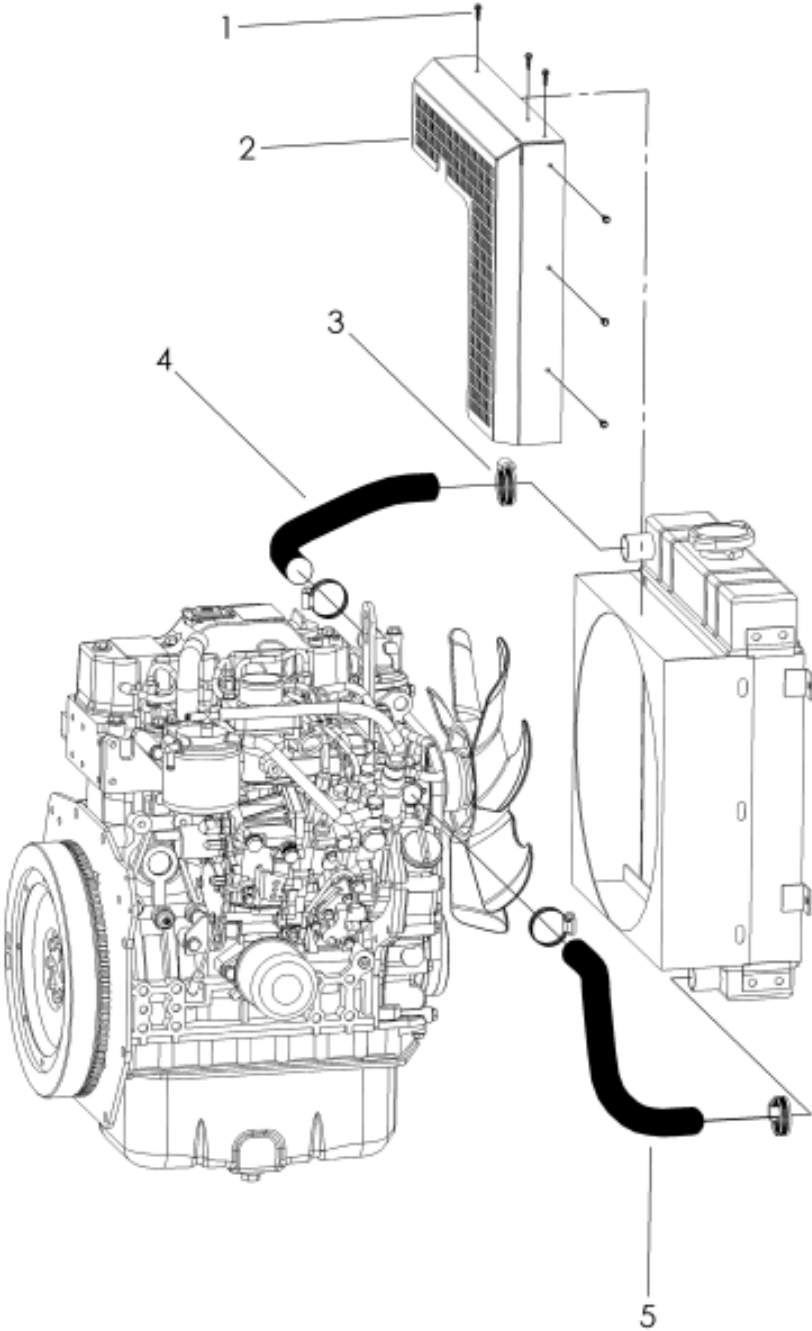
TLB 6235 ESL

NO	REQ'D	PART NO	DESCRIPTION
1	2	920234	SOUTHCO SOFT LATCH
2	4	041021	#8 - 32 NC X 3/4 ROUND HEAD SCREW
3	4	044013	#8 - 32 NC NYLON INSERT NUT
4	1	10-000070	FIBERGLASS HOOD
5	2	044027	5/16 - 18 NC ACORN NUT
6	2	330437	BALL STUD
7	2	920231	GAS SPRING, 35 LB
8	5	041021	#10 - 24 NC X 1/2 ROUND HEAD SCREW
9	1	22-000017	ISUZU 3CD1 ELECTRICAL COMPONENT MOUNT PLATE
10	9	044019	#10 - 24 NC NYLON INSERT NUT
11	1	92T138	HOOD HINGE, STAINLESS STEEL
12	4	041013	#8 - 32 NC X 1/2 ROUND HEAD SCREW
13	1	042151	10mm SPLIT LOCK WASHER
14	1	042040	10mm X 1.5mm X 30mm GRADE 10.8 BOLT
15	1	15-000302	ISUZU 3CD1 MUFFLER
16	1	92T079	MUFFLER HEAT SHIELD
17	4	047009	1/4 SS FLAT WASHER
18	4	046010	1/4 - 20 NC X 3/4 GRADE 5 BOLT
19	4	042082	8mm X 1.25mm HEX NUT
20	4	043055	5/16 SPLIT LOCK WASHER
21	1	15-000087	FOAM RUBBER AIR INTAKE DONUT
22	4	041027	#10 - 24 NC X 3/4 ROUND HEAD SCREW
23	4	041050	1/4 - 20 NC X 3/4 TRUSS HEAD SCREW
24	1	22-000067	ISUZU 3CD1 AIR BOX COVER PLATE
25	4	045216	1/4 - 20 NC TINNERMAN NUT

LEGEND: NS= Not Shown
** =Purchase locally

ENGINE RADIATOR HOSES AND HAND GUARD

TLB 6235 ESL



ENGINE RADIATOR HOSES AND HAND GUARD

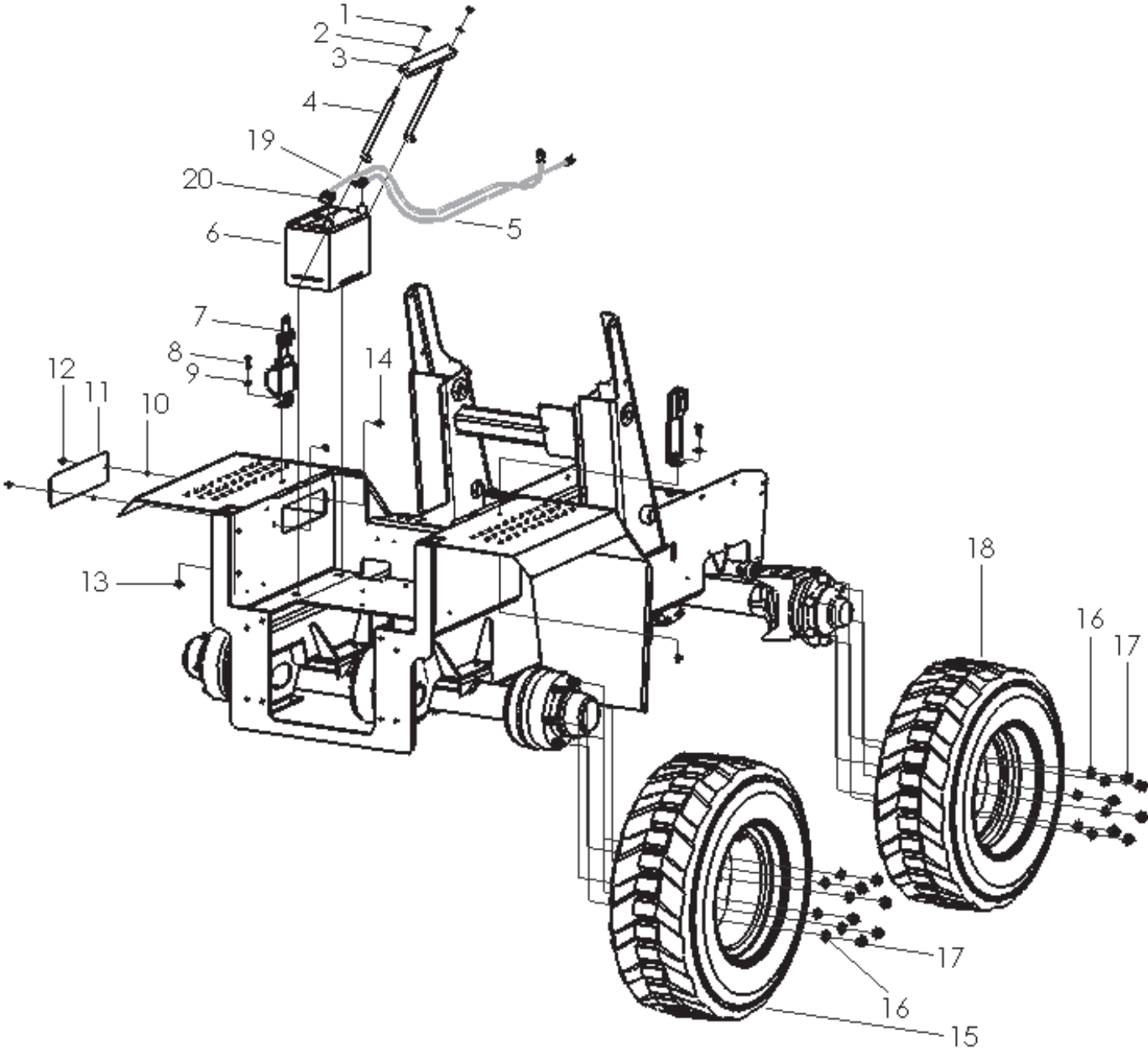
TLB 6235 ESL

NO	REQ'D	PART NO	DESCRIPTION
1	6	041015	#8 X 5/8 SELF TAPPING SCREW
2	1	22-000047	ISUZU 3CD1 FAN GUARD
3	4	045035	#20 HOSE CLAMP
4	1	22-000321	ISUZU 3CD1 TOP RADIATOR HOSE
5	1	22-000322	ISUZU 3CD1 BOTTOM RADIATOR HOSE

LEGEND: NS= Not Shown
** =Purchase locally

BATTERY / SEAT BELT / TIRES

TLB 6235 ESL



BATTERY / SEAT BELT / TIRES

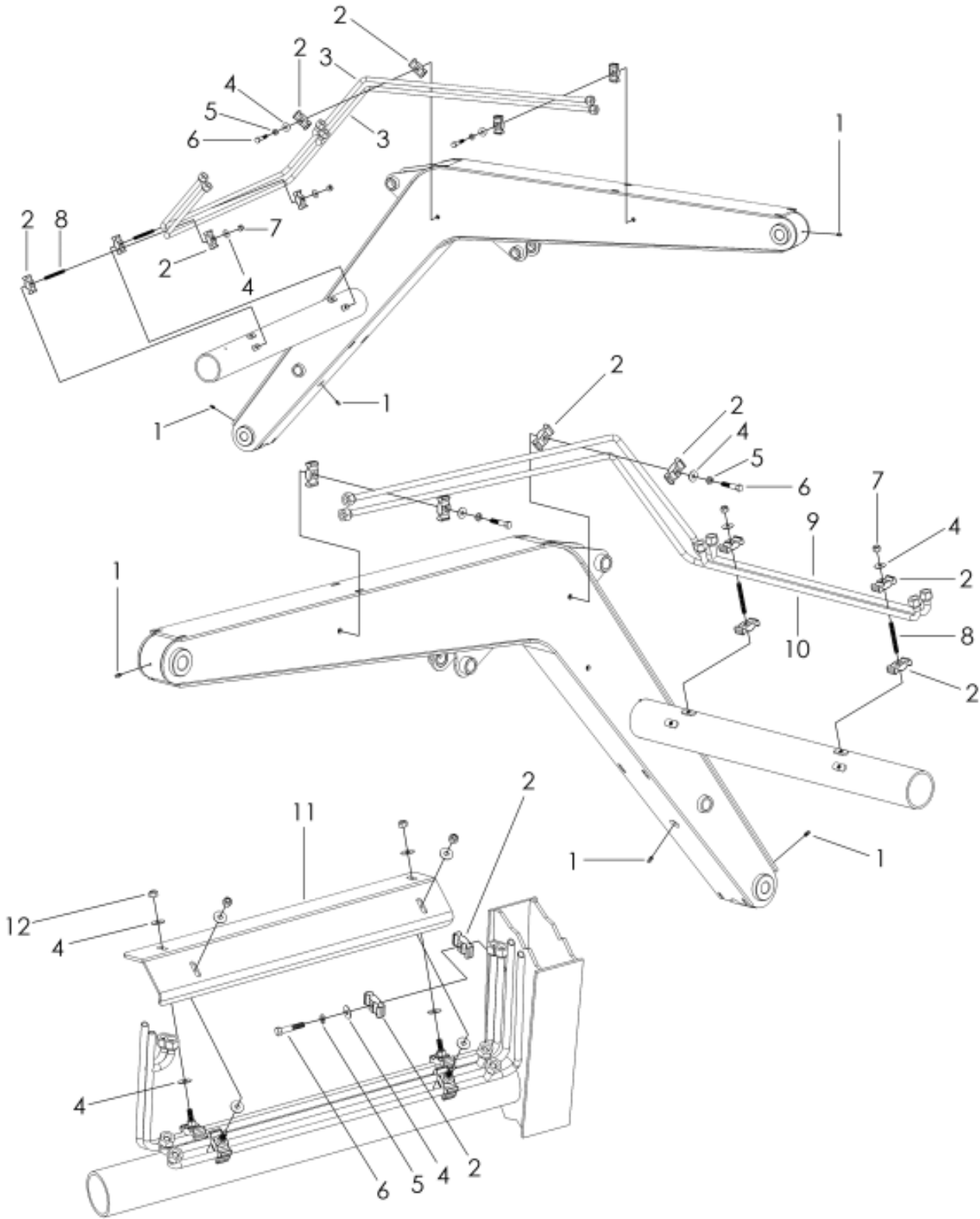
TLB 6235 ESL

NO	REQ'D	PART NO	DESCRIPTION
1	2	044033	5/16 - 18 NC NYLON INSERT NUT
2	2	047005	1/4 SAE FLAT WASHER
3	1	340017	NYLON BATTERY HOLD DOWN
4	2	433507	5/16 - 18 NC X 11 J-BOLT
5	1	027030	60" BATTERY CABLE, BLACK
6	1	024002	12 VOLT BATTERY, GROUP 24
7	1	920121	2" RETRACTABLE LAP BELT KIT
8	2	**	7/16 - 20 NF X 1 GRADE 5 BOLT
9	2	**	7/16 FLAT WASHER
10	2	045217	5/16 I.D. X 5/8 O.D. PUSH NUT
11	1	22-000101	BATTERY POST FENDER CUT OUT COVER
12	2	044027	5/16 - 18 NC ACORN NUT
13	2	**	7/16 - 20 NF FLANGE NUT
14	2	053029	5/16 - 18 NC X 1/2 CARRIAGE BOLT
15	2	22-000074	14 - 17.5 LEFT WHEEL / TIRE ASSEMBLY
		22-000075	14 - 17.5 RIGHT WHEEL / TIRE ASSEMBLY
16	24	10-000149	COMER AXLE BEVELED SPLIT LOCK WASHER
17	24	10-000148	COMER AXLE FLANGE NUT
18	2	22-000072	14 - 16.5 LEFT WHEEL / TIRE ASSEMBLY
		22-000073	14 - 16.5 RIGHT WHEEL / TIRE ASSEMBLY
19	1	027031	60" BATTERY CABLE, RED
20	1	022055	BOOT RED BATTERY TERMINAL

LEGEND: NS= Not Shown
 ** =Purchase locally

LOADER HARD LINE ASSEMBLY

TLB 6235 ESL



LOADER HARD LINE ASSEMBLY

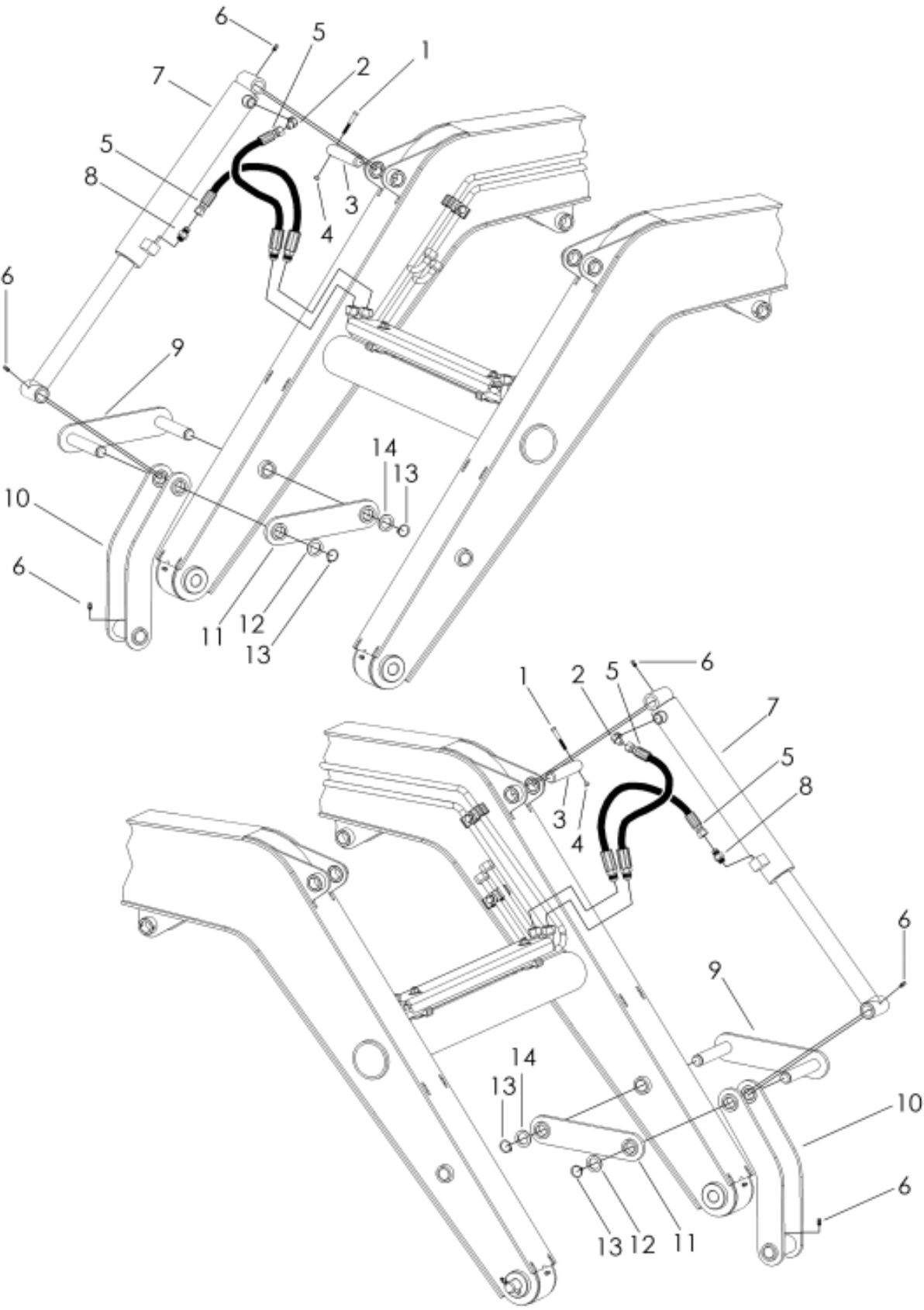
TLB 6235 ESL

NO	REQ'D	PART NO	DESCRIPTION
1	6	401256	1/4 - 28 NF STRAIGHT GREASE ZERK
2	18	22-000153	HOSE CLAMP, PACE #AG-2
3	2	22-000152	RIGHT HARD LINE, 4X4 LOADER
4	17	047015	3/8 FLAT WASHER
5	5	043065	3/8 SPLIT LOCK WASHER
6	5	046132	3/8 - 16 NC X 2-1/4 GRADE 5 BOLT
7	4	044080	3/8 - 16 NC TOP LOCK NUT
8	4	045407	3/8 - 16 NC X 3 STUD
9	1	22-000150	LEFT TOP HARD LINE, 4X4 LOADER
10	1	22-000158	LEFT BOTTOM HARD LINE, 4X4 LOADER
11	1	22-000061	LOADER HARD LINE COVER
12	4	044038	3/8 - 16 NC NYLON INSERT NUT

LEGEND: NS= Not Shown
** =Purchase locally

BUCKET CYLINDER AND LINK ARM ASSEMBLIES

TLB 6235 ESL



BUCKET CYLINDER AND LINK ARM ASSEMBLIES

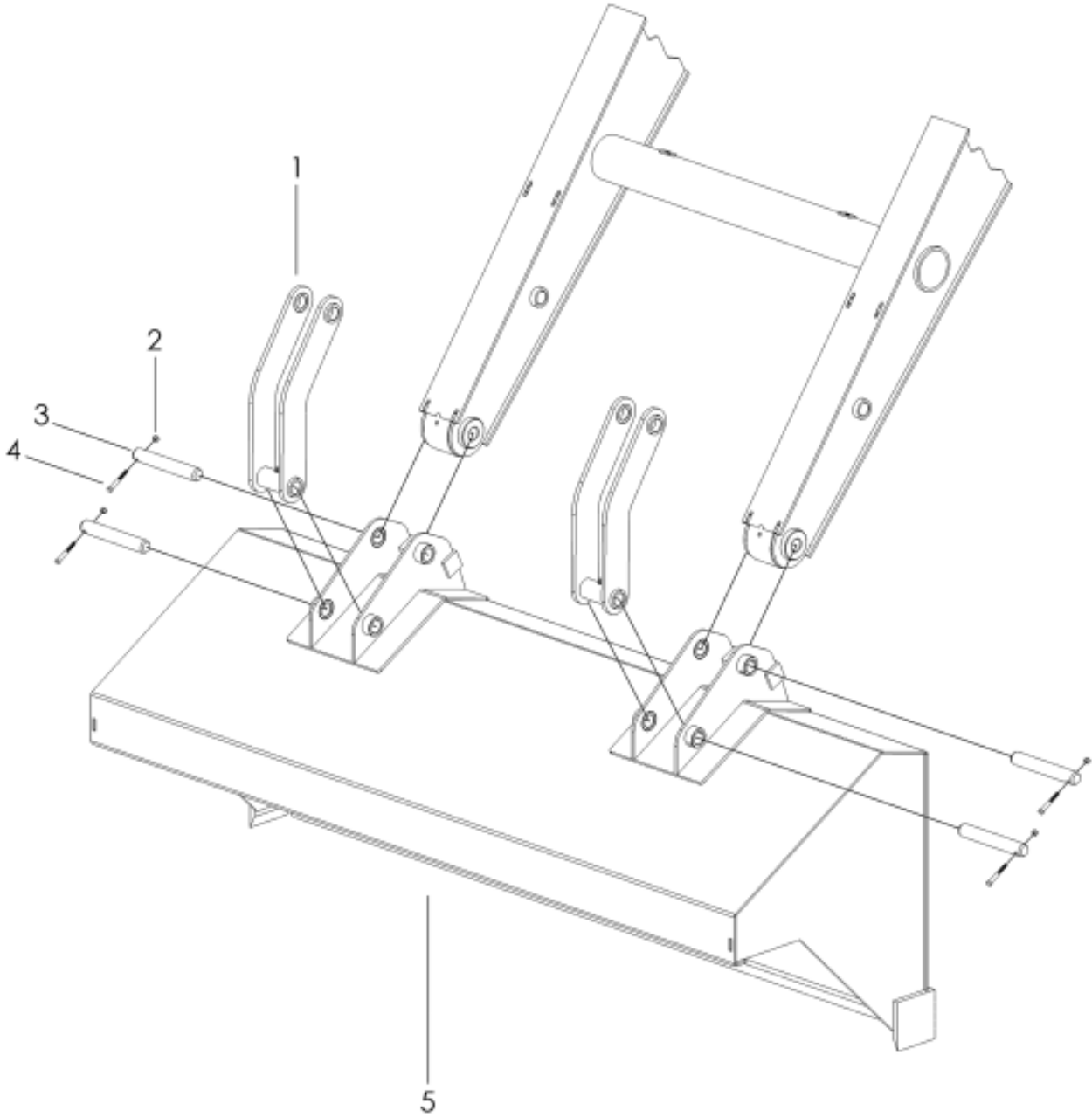
TLB 6235 ESL

NO	REQ'D	PART NO	DESCRIPTION
1	2	046035	1/4 - 20 NC X 2 GRADE 5 BOLT
2	2	920692	HYDRAULIC ADAPTER, 6801-06-06
3	2	92L001M	LOADER PIN
4	2	044023	1/4 - 20 NC NYLON INSERT NUT
5	4	22-000154	HOSE ASSEMBLY 3/8 X 15" 8MJ-6FJX
6	6	401256	1/4 - 28 NF STRAIGHT GREASE ZERK
7	2	92L007	BUCKET CYLINDER
8	2	320076	HYDRAULIC ADAPTER, 6400-06-06
9	2	22-000181	PIVOT PIN / ARM ASSEMBLY
10	2	22-000171	LINK ARM ASSEMBLY
11	2	22-000173	PIVOT PLATE / BUSHING ASSEMBLY
12	2	047055	MACHINE BUSHING, 10 GA.
13	4	045405	1" EXTERNAL SNAP RING
14	2	200930	MACHINE BUSHING, 18 GA.

LEGEND: NS= Not Shown
 ** =Purchase locally

LOADER BUCKET ASSEMBLY

TLB 6235 ESL



LOADER BUCKET ASSEMBLY

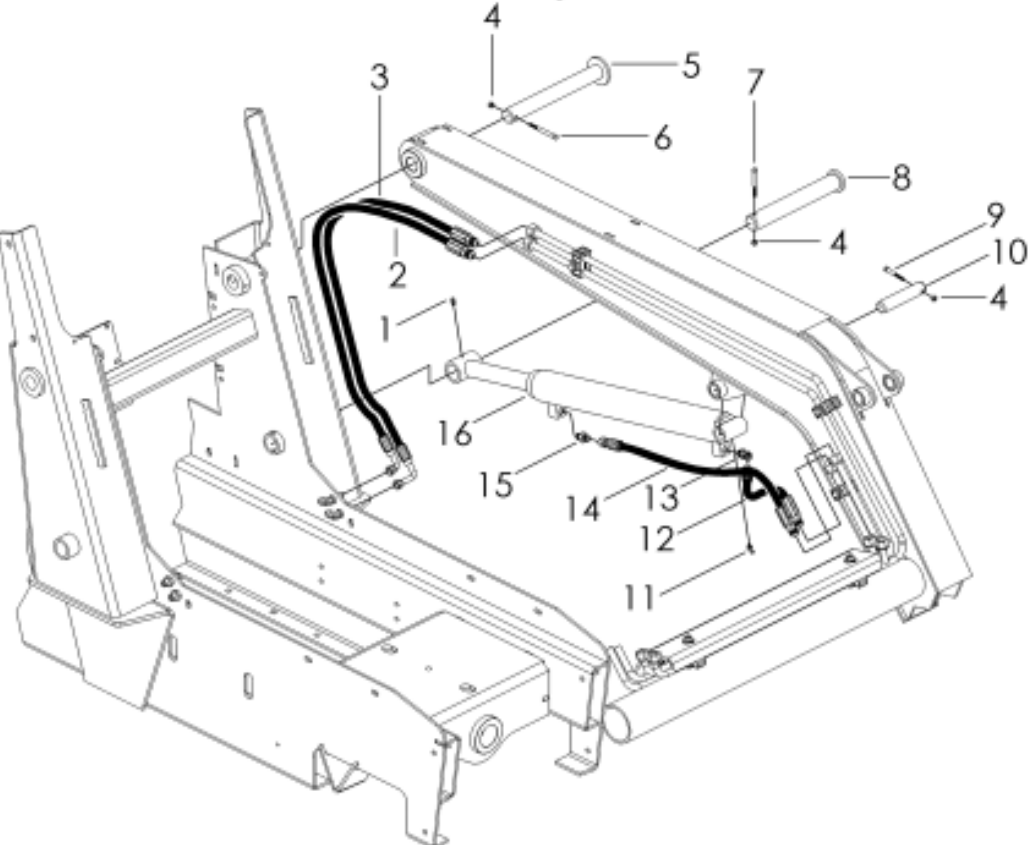
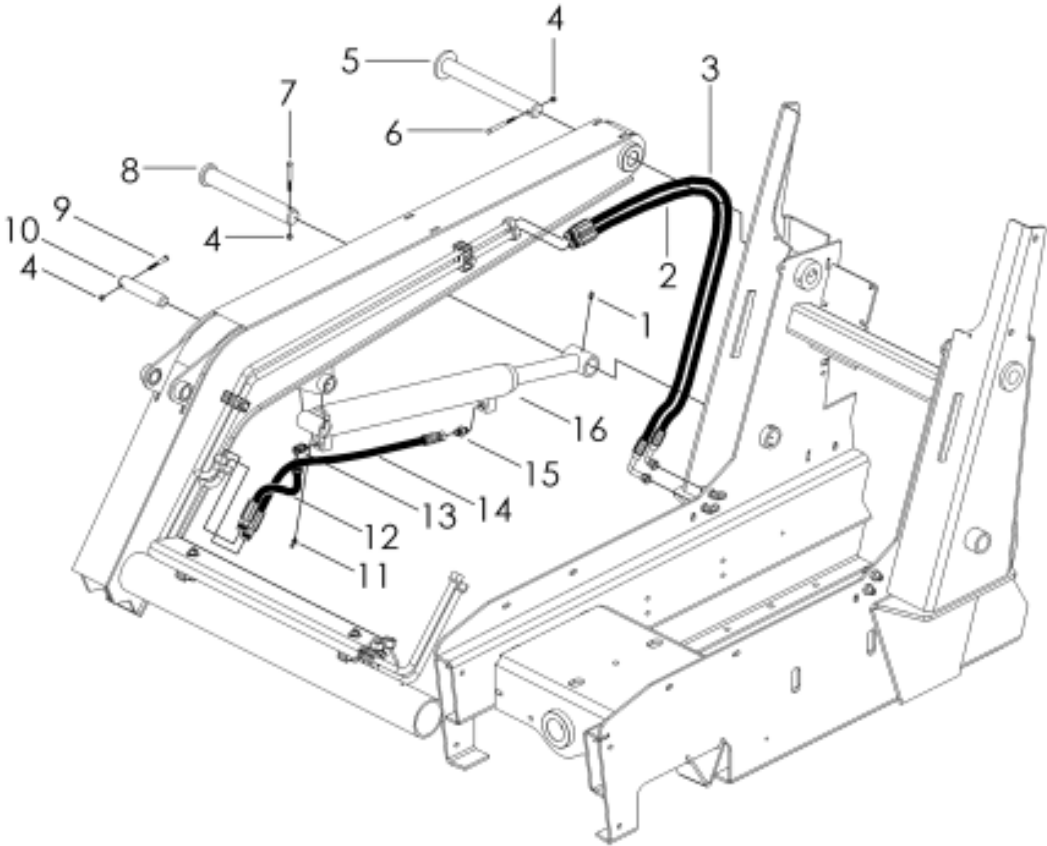
TLB 6235 ESL

NO	REQ'D	PART NO	DESCRIPTION
1	2	22-000171	LINK ARM ASSEMBLY
2	4	044023	1/4 - 20 NC NYLON INSERT NUT
3	4	22-000175	BUCKET PIN, 4X4 LOADER
4	4	046035	1/4 - 20 NC X 2 GRADE 5 BOLT
5	1	22-000141	4X4 LOADER BUCKET

LEGEND: NS= Not Shown
** =Purchase locally

LIFT CYLINDER AND LOADER ATTACHMENT

TLB 6235 ESL



LIFT CYLINDER AND LOADER ATTACHMENT

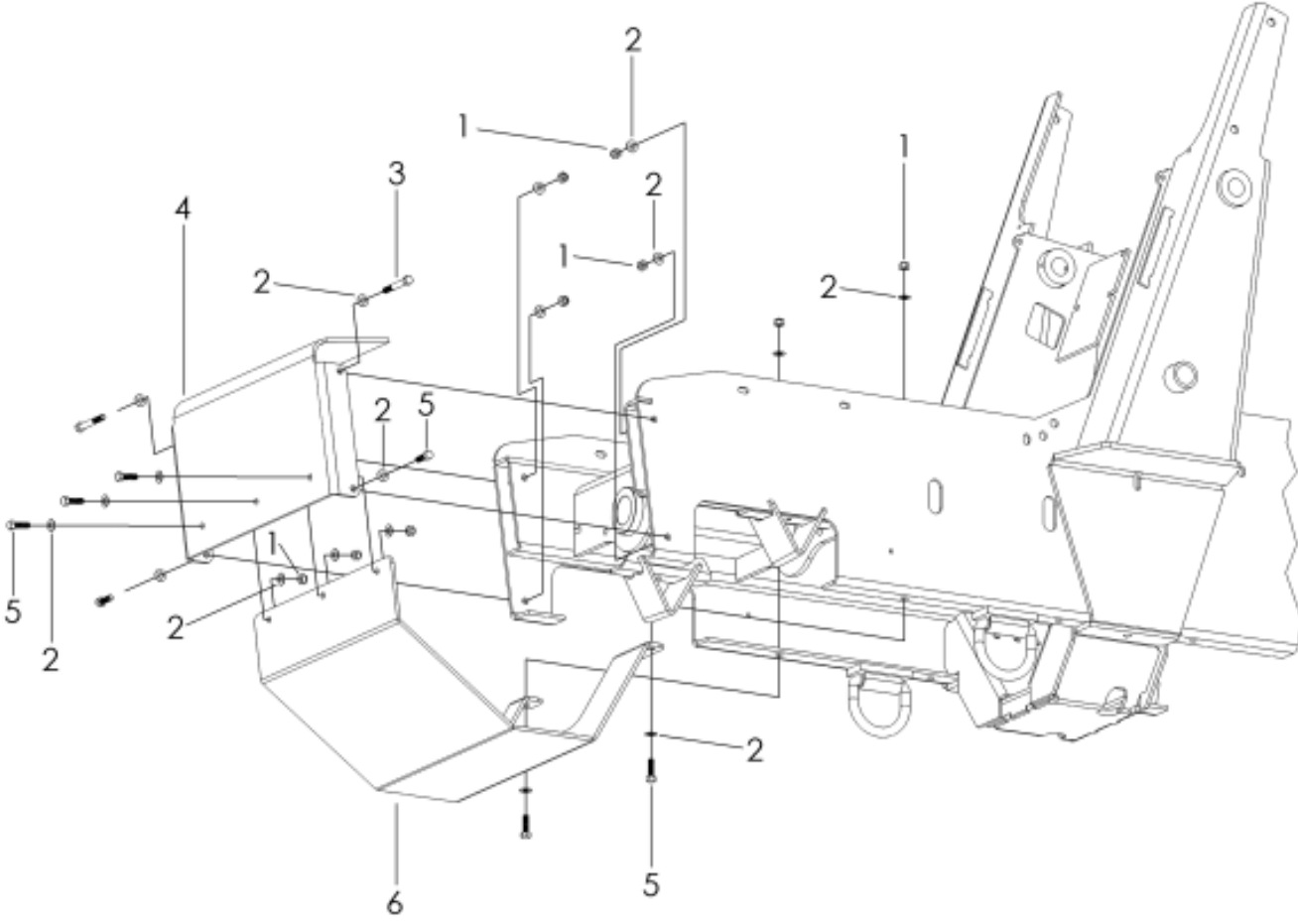
TLB 6235 ESL

NO	REQ'D	PART NO	DESCRIPTION
1	2	401256	1/4 - 28 NF STRAIGHT GREASE ZERK
2	2	22-000023	HOSE ASSEMBLY 3/8 X 36" 8MJ-6FJX90L
3	2	22-000157	HOSE ASSEMBLY 3/8 X 35" 8MJ-6FJX90S
4	6	044023	1/4 - 20 NC NYLON INSERT NUT
5	2	22-000129	4X4 LOADER MOUNT PIN
6	2	046038	1/4 - 20 NC X 3 GRADE 5 BOLT
7	2	046036	1/4 - 20 NC X 2-1/2 GRADE 5 BOLT
8	2	92L002	CYLINDER PIVOT PIN
9	2	046035	1/4 - 20 NC X 2 GRADE 5 BOLT
10	2	92L001M	LOADER PIN
11	2	401258	1/4 - 28 NF 45° GREASE ZERK
12	2	22-000155	HOSE ASSEMBLY 3/8 X 20" 8MJ-6FJX
13	2	22-000308	HYDRAULIC ADAPTER, 6802-06-06-NWO
14	2	22-000156	HOSE ASSEMBLY 3/8 X 39" 8MJ-6FJX
15	2	320076	HYDRAULIC ADAPTER, 6400-06-06
16	2	22-000148	4X4 LOADER LIFT CYLINDER

LEGEND: NS= Not Shown
 ** =Purchase locally

FRONT BUMPER / SKID PLATE ASSEMBLIES

TLB 6235 ESL



FRONT BUMPER / SKID PLATE ASSEMBLIES

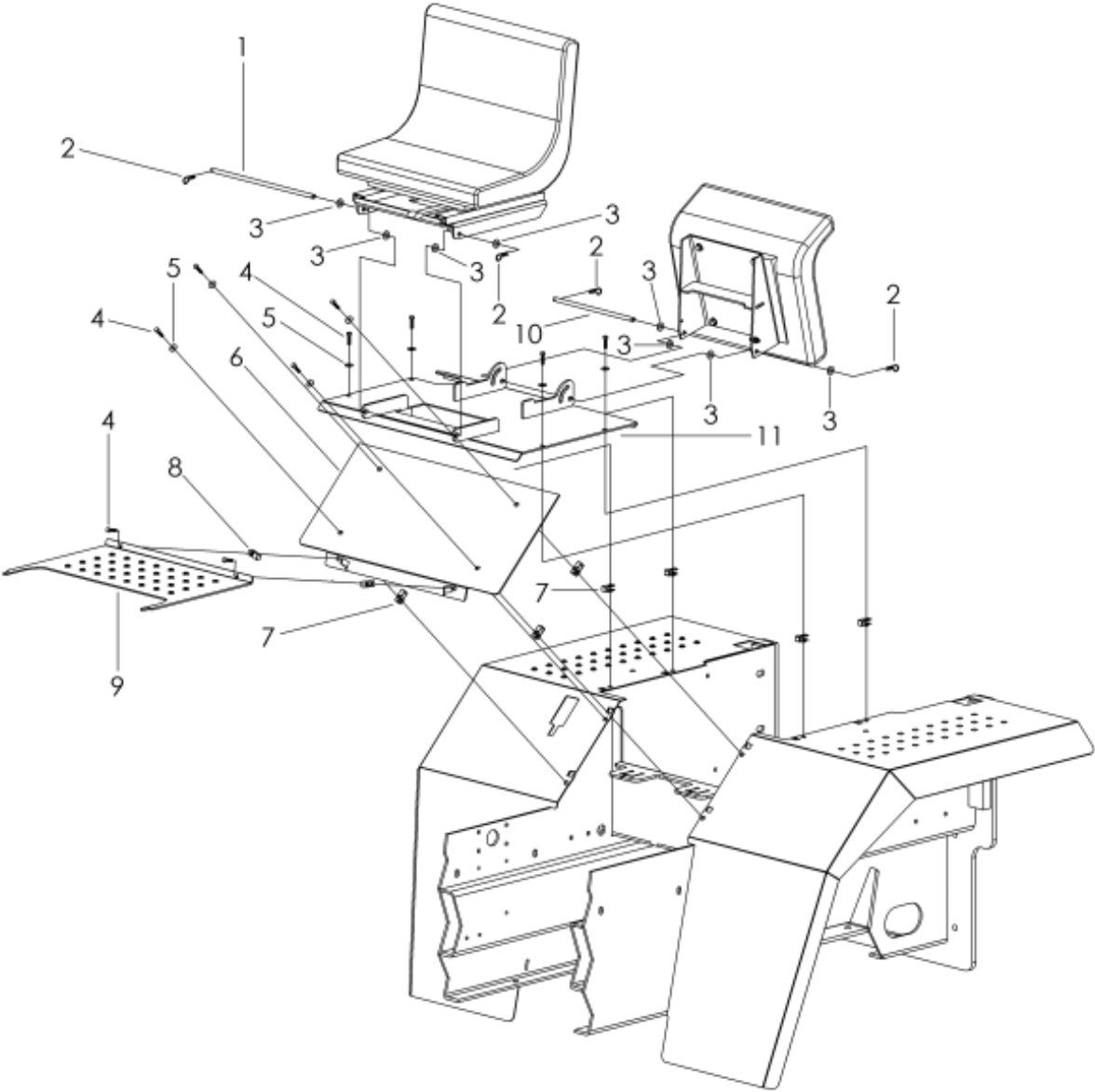
TLB 6235 ESL

NO	REQ'D	PART NO	DESCRIPTION
1	9	044038	3/8 - 16 NC NYLON INSERT NUT
2	18	047016	3/8 FLAT WASHER
3	2	046137	3/8 - 16 NC X 3 GRADE 5 BOLT
4	1	22-000024	4X4 FRONT BUMPER
5	7	046115	3/8 - 16 NC X 1-1/4 GRADE 5 BOLT
6	1	22-000037	FRONT AXLE SKID PLATE

LEGEND: NS= Not Shown
** =Purchase locally

SEAT ASSEMBLIES / TRACTOR FLOOR PLATE

TLB 6235 ESL



SEAT ASSEMBLIES / TRACTOR FLOOR PLATE

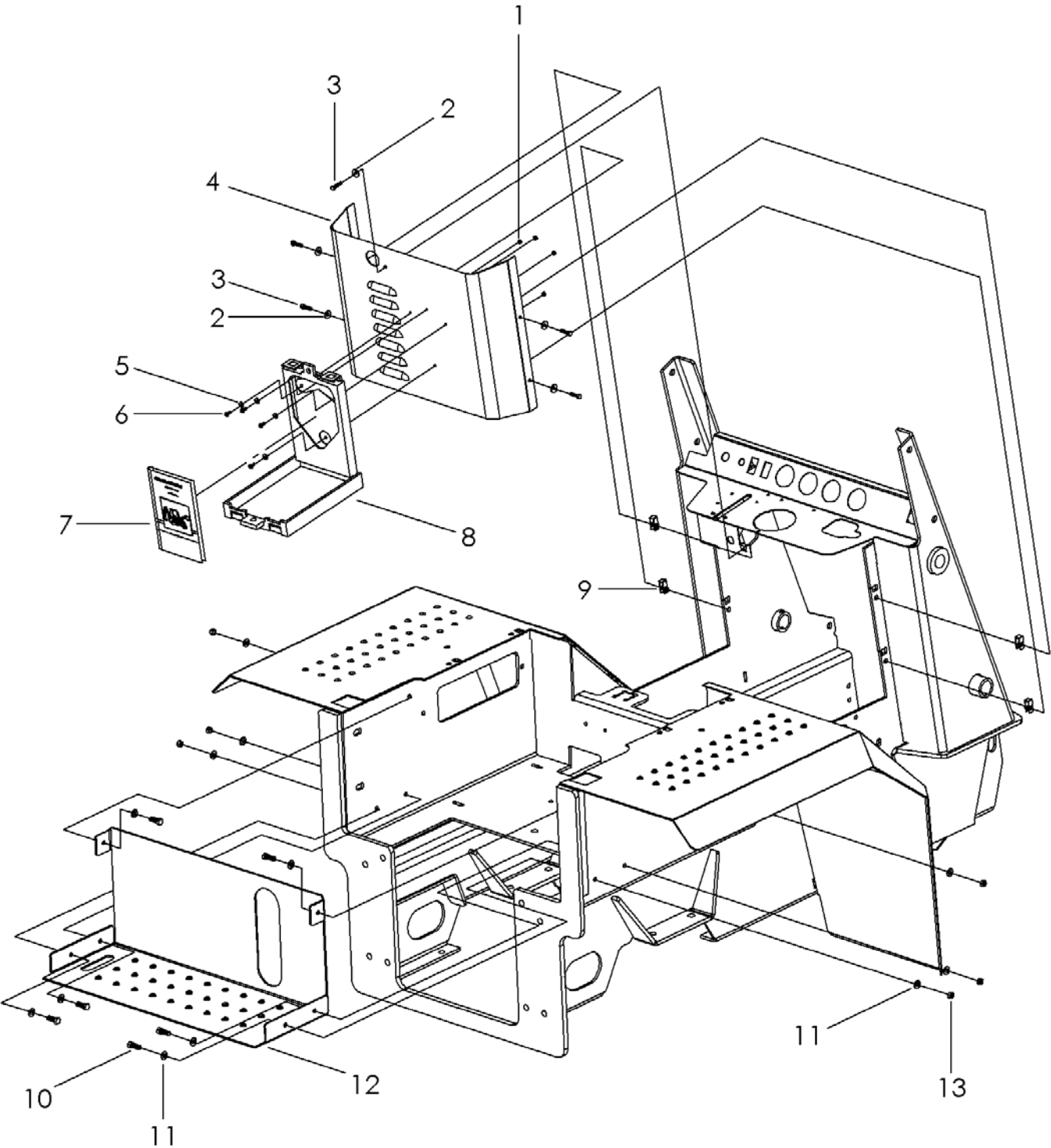
TLB 6235 ESL

NO	REQ'D	PART NO	DESCRIPTION
1	1	22-000087	TRACTOR SEAT PIVOT
2	4	045406	COTTER PIN, 3/32 X 1-5/8
3	8	047016	3/8 SAE FLAT WASHER
4	10	046015	1/4 - 20 NC X 1 GRADE 5 BOLT
5	8	047005	1/4 FLAT WASHER
6	1	22-000052	OIL COOLER COVER PLATE
7	8	920190	1/4 - 20 NC "J" NUT, LONG
8	2	044106	1/4 - 20 NC "J" NUT, SHORT
9	1	22-000020	TRACTOR FOOT WELL FLOOR PLATE
10	1	22-000088	BACKHOE SEAT PIVOT ROD
11	1	22-000066	TRACTOR / BACKHOE SEAT MOUNT weldment

LEGEND: NS= Not Shown
** =Purchase locally

STEERING COLUMN COVER / BACKHOE FLOOR PLATE

TLB 6235 ESL



STEERING COLUMN COVER / BACKHOE FLOOR PLATE

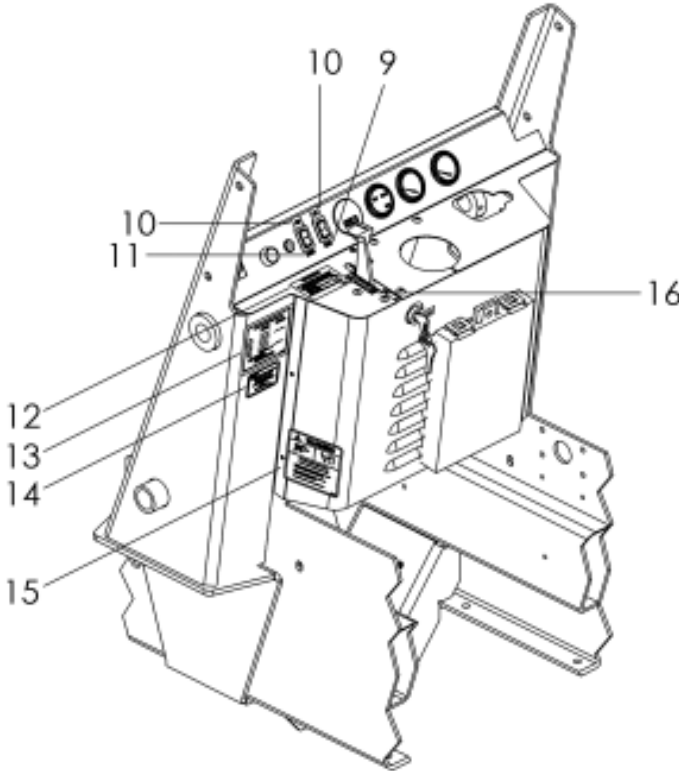
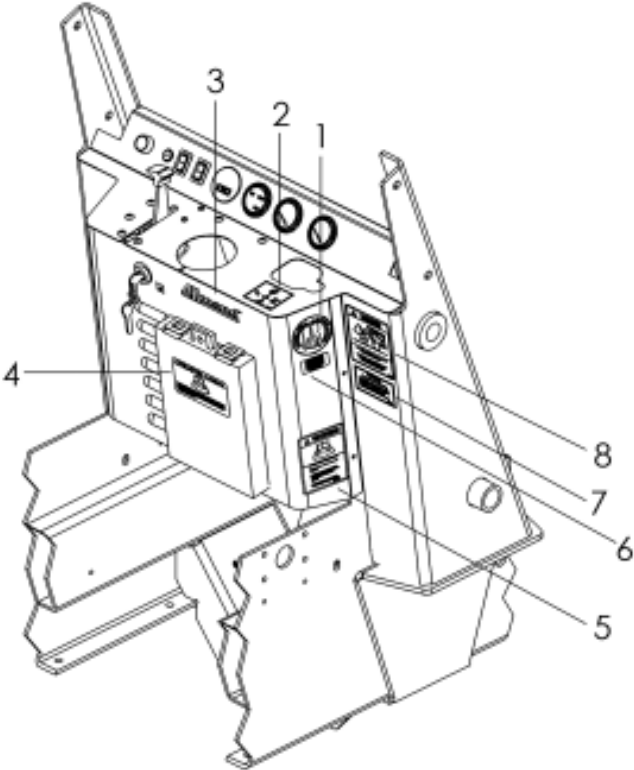
TLB 6235 ESL

NO	REQ'D	PART NO	DESCRIPTION
1	4	041018	#10 - 24 NC NYLON INSERT NUT
2	5	047005	1/4 SAE FLAT WASHER
3	5	046015	1/4 - 20 NC X 1 GRADE 5 BOLT
4	1	15-000030	COLUMN COVER
5	4	033072	#8 FLAT WASHER
6	4	041021	#10 - 24 NC X 1/2 FLAT HEAD SCREW
7	1		1/2 SCALE OPERATORS MANUAL, TLB 6235
8	1	920010	PLASTIC MANUAL BOX
9	4	920190	1/4 - 20 NC "J" NUT, LONG
10	6	046050	5/16 - 18 NC X 1 GRADE 5 BOLT
11	12	047010	5/16 FLAT WASHER
12	1	22-000006	BACKHOE FOOT WELL FLOOR PLATE
13	6	044033	5/16 - 18 NC NYLON INSERT NUT

LEGEND: NS= Not Shown
** =Purchase locally

OPERATORS AREA DECALS

TLB 6235 ESL



OPERATORS AREA DECALS

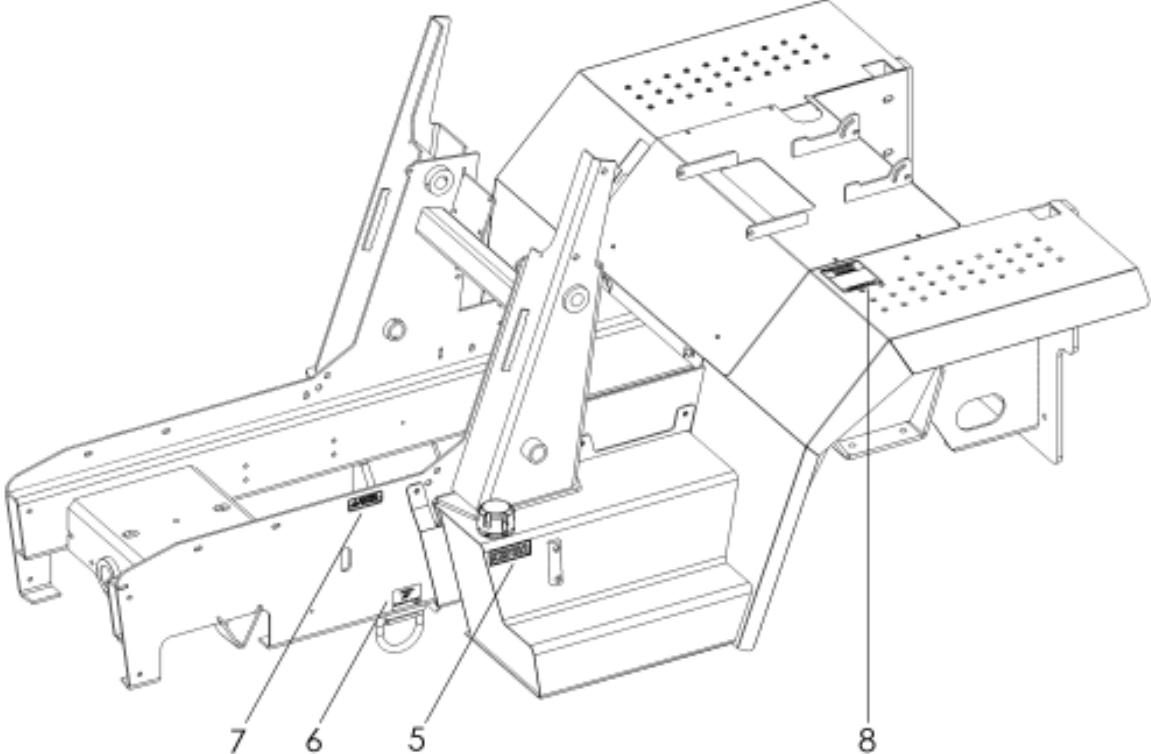
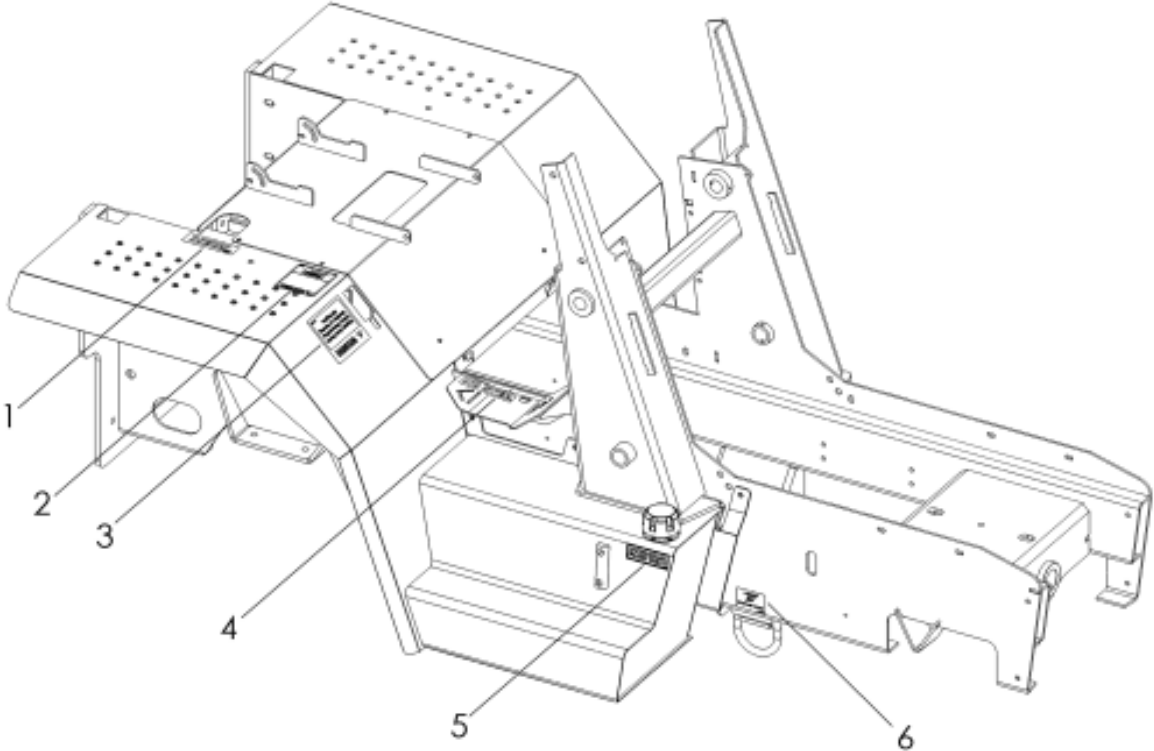
TLB 6235 ESL

NO	REQ'D	PART NO	DESCRIPTION
1	1	090322	ALLMAND ASSURANCE DECAL
2	1	090246	LOADER LEVEL DECAL
3	1	090270	5-1/2 ALLMAND LOGO DECAL
4	1	090212	OPERATOR'S MANUAL (TLB) DECAL
5	1	090158	OPERATOR'S MANUAL DECAL
6	1	090385	AMERICAN FLAG DECAL
7	1	090179	CALIFORNIA PROPOSITION 65 DECAL
8	1	090189	DANGER, TO AVOID BODILY INJURY DECAL
9	1	090470	REAR DECAL
10	1	090209	LIGHT SYMBOL DECAL
11	1	090469	FRONT DECAL
12	1	090239	ENGINE START DECAL
13	1	090258	HYDRAULIC FLUID CHECKLIST DECAL
14	1	090465	PARTS AND SERVICE DECAL
15	1	090191	WARNING, HIGH PRESSURE DECAL
16	1	090196	SPEED CONTROL DECAL

LEGEND: NS= Not Shown
** =Purchase locally

FRAME DECALS

TLB 6235 ESL



FRAME DECALS

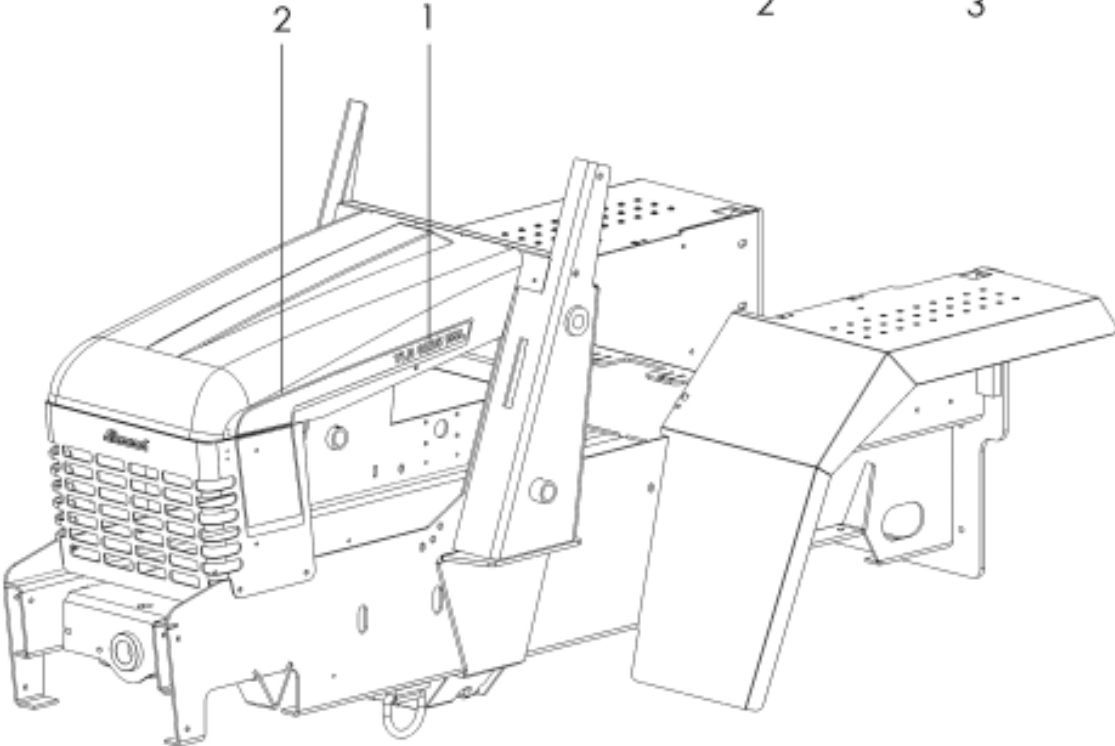
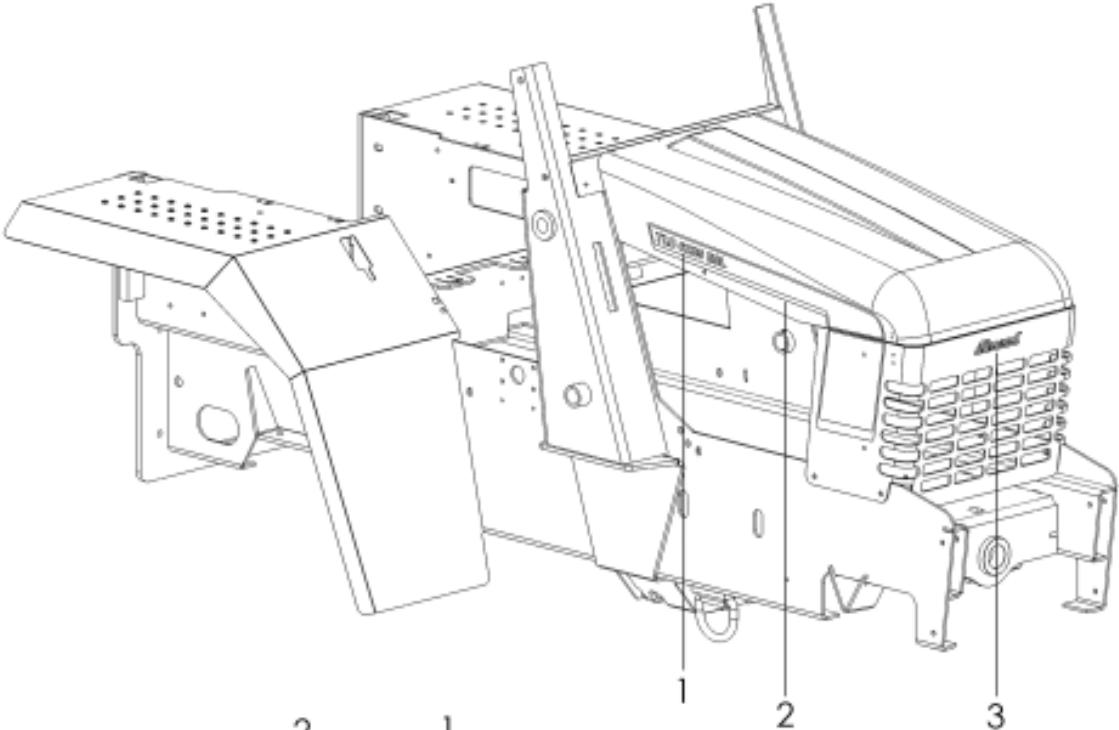
TLB 6235 ESL

NO	REQ'D	PART NO	DESCRIPTION
1	1	090322	DIESEL DECAL
2	1	090246	DANGER, OVERHEAD ELECTROCUTION HAZARD DECAL
3	1	090473	WARNING, ENGAGE HAND BRAKE
4	1	090270	NO STEP DECAL
5	2	090212	HYDRAULIC FLUID ONLY DECAL
6	2	090158	TIE DOWN POINT DECAL
7	1	090385	DANGER, HOT EXHAUST DECAL
8	1	090179	DANGER, UNDERGROUND ELECTROCUTION HAZARD DECAL

LEGEND: NS= Not Shown
** =Purchase locally

HOOD / NOSE DECALS

TLB 6235 ESL



HOOD / NOSE DECALS

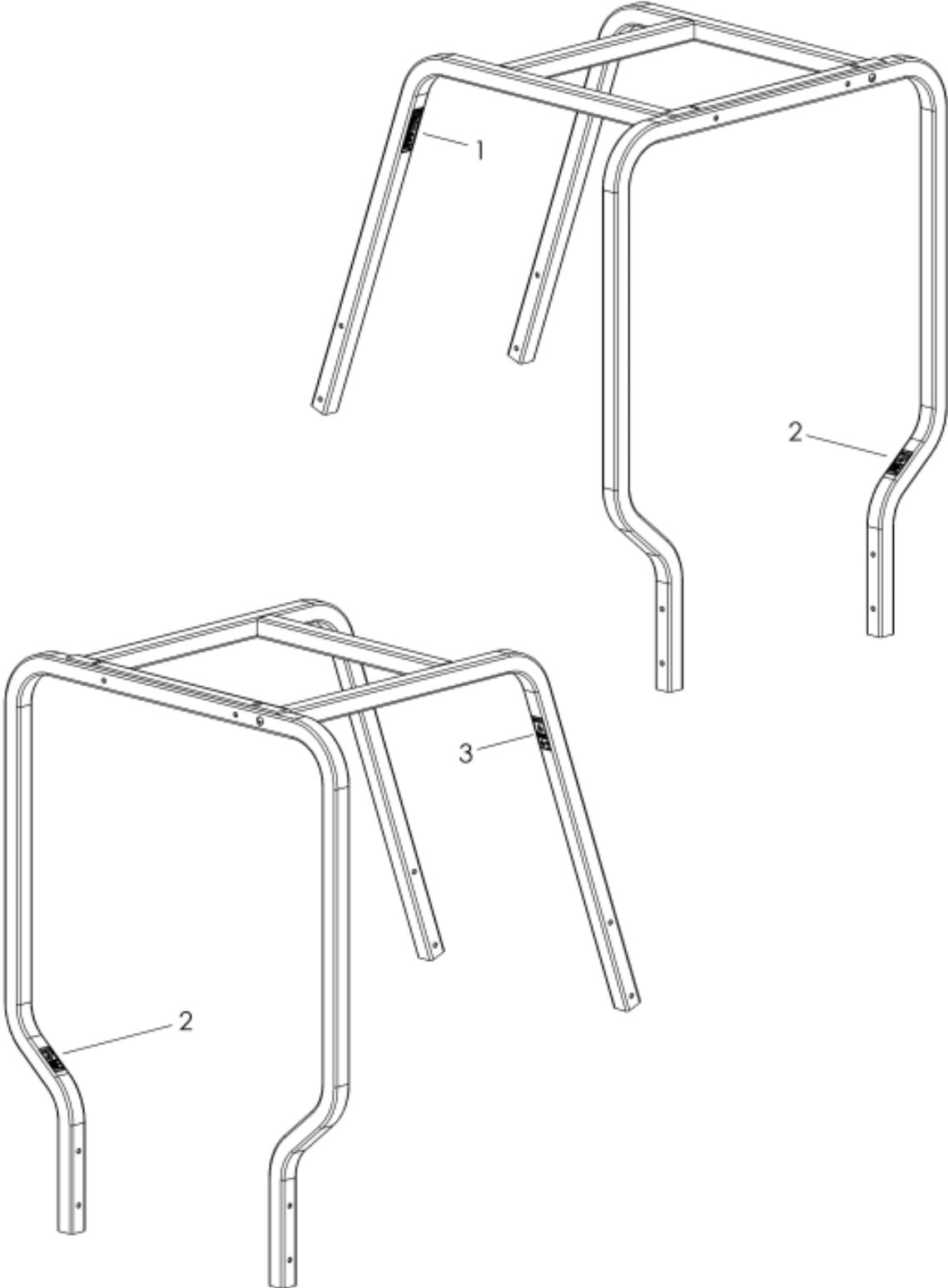
TLB 6235 ESL

NO	REQ'D	PART NO	DESCRIPTION
1	2	090448	TLB 6235 ESL DECAL
2	1	090221	LD-TLB HOOD STRIPE SET DECAL
3	1	090270	ALLMAND 5-1/2 LOGO DECAL

LEGEND: NS= Not Shown
** =Purchase locally

ROPS DECALS

TLB 6235 ESL



ROPS DECALS

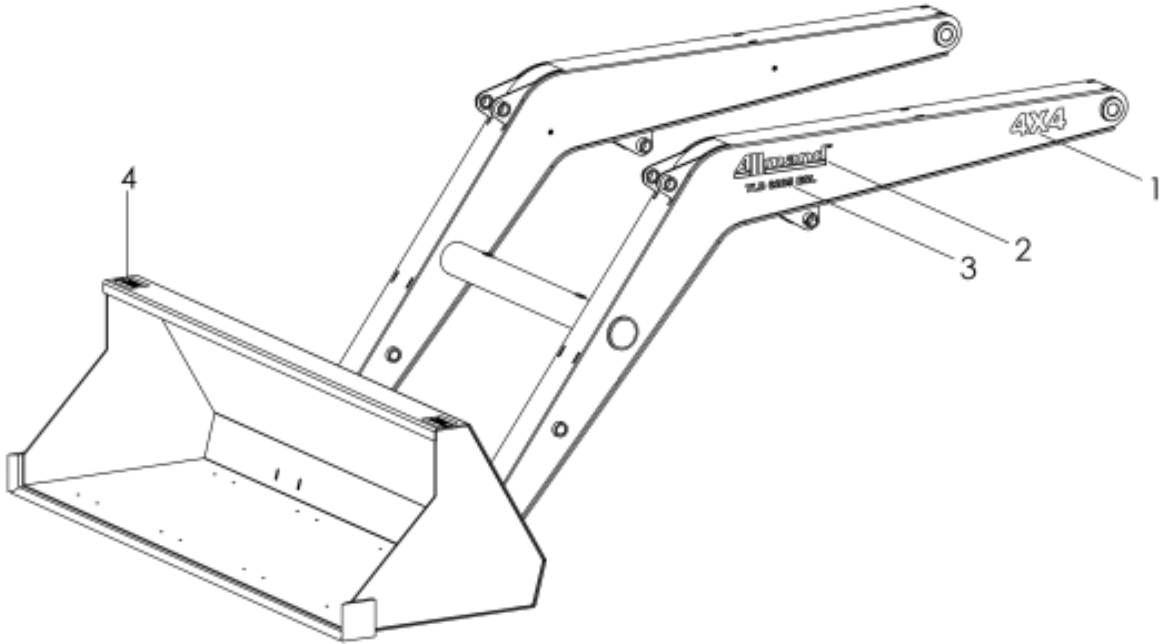
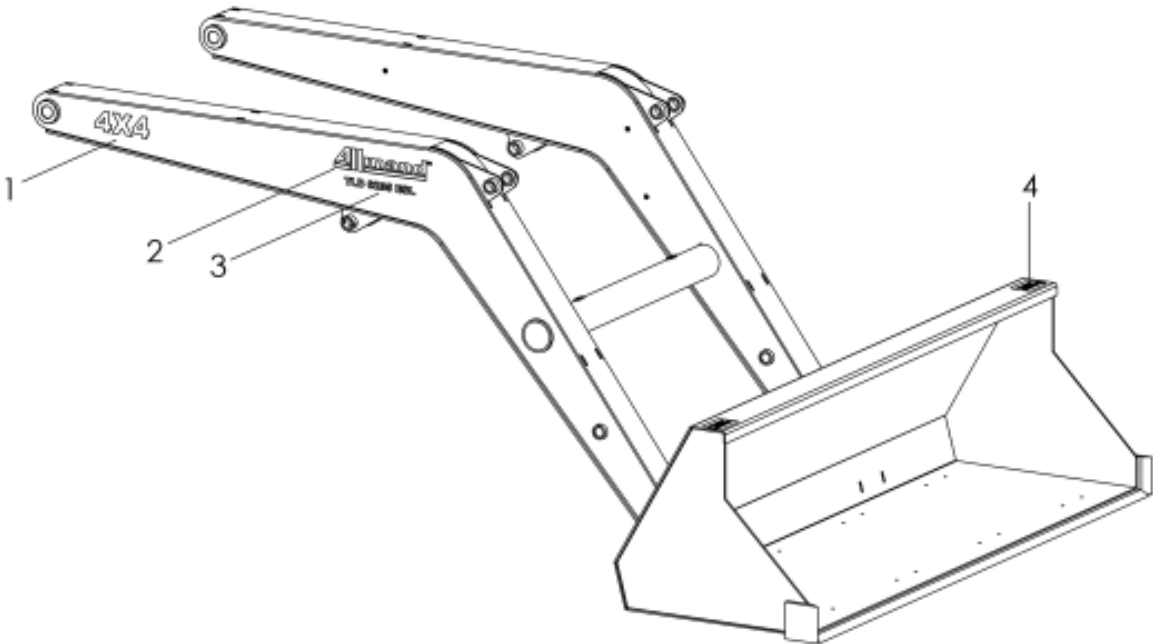
TLB 6235 ESL

NO	REQ'D	PART NO	DESCRIPTION
1	1	090190	CAUTION, AVOID DEATH OR SERIOUS INJURY DECAL
2	2	090219	DANGER, TO PREVENT SERIOUS INJURY OR DEATH DECAL
3	1	090194	WARNING, AVOID CRUSHING DECAL

LEGEND: NS= Not Shown
** =Purchase locally

LOADER DECALS

TLB 6235 ESL



LOADER DECALS

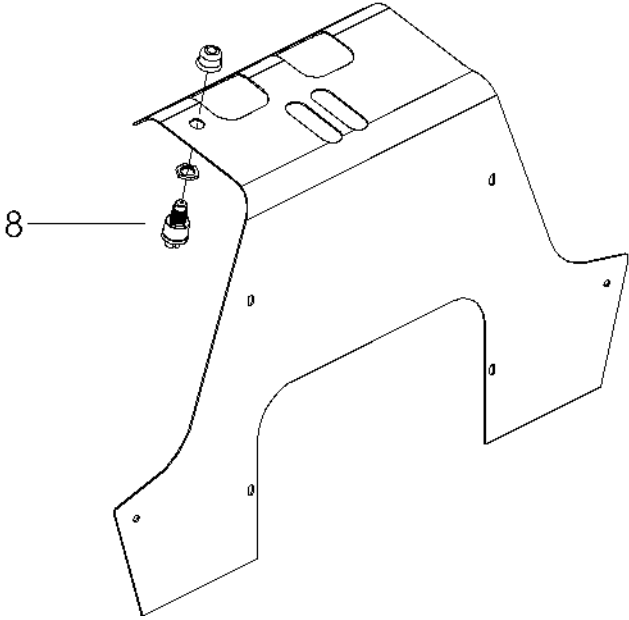
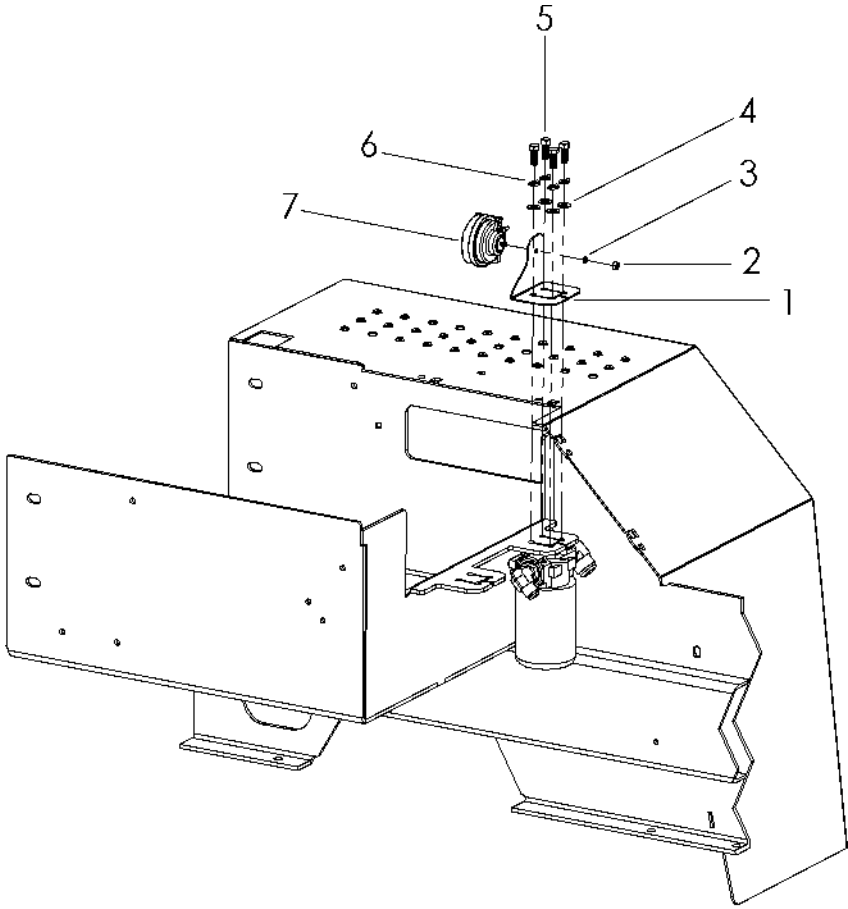
TLB 6235 ESL

NO	REQ'D	PART NO	DESCRIPTION
1	2	090446	4X4 DECAL
2	2	090269	ALLMAND 5-1/2 LOGO DECAL
3	2	090448	TLB 6235 ESL DECAL
4	2	090285	BUCKET LEVEL INDICATOR DECAL

LEGEND: NS= Not Shown
** =Purchase locally

12V HORN OPTION

TLB 6235 ESL



12V HORN OPTION**TLB 6235 ESL**

NO	REQ'D	PART NO	DESCRIPTION
1	1	100200	HORN MOUNT
2	1	044025	1/4 - 28 NF HEX NUT PLATED
3	1	043050	1/4 INTERNAL TOOTH LOCK WASHER PLATED
4	4	047016	3/8 SAE FLAT WASHER PLATED
5	4	046110	3/8 - 16 NC X 1 HEX GR 5 BOLT PLATED
6	4	043065	3/8 SPLIT LOCK WASHER PLATED
7	1	100344	HORN 12 VOLT
8		320024	SWITCH PUSH BUTTON

LEGEND: NS= Not Shown
** =Purchase locally

ALLMAND TLB LIMITED WARRANTY

THIS WARRANTY IS IN LIEU OF ALL OTHER WARRANTIES, EXPRESS OR IMPLIED INCLUDING WARRANTIES OF MERCHANTABILITY OR OF FITNESS FOR PURPOSE, AND ANY EXCEPTIONS ARE DESCRIBED IN THE PUBLISHED LIMITED WARRANTY ADDENDUM, AVAILABLE UPON REQUEST.

COMPONENTS, SUB-ASSEMBLIES AND DEVICES MANUFACTURED BY OTHER MANUFACTURERS ARE NOT COVERED BY THIS WARRANTY AND ALL WARRANTY INFORMATION FROM SUCH OTHER MANUFACTURERS IS PROVIDED WITHIN OR ACCOMPANY THESE GOODS.

Subject to the foregoing, the manufacturer, Allmand Bros. Inc., hereby warrants all tractor-loader-backhoes manufactured by Allmand Bros. Inc. after June 1, 2001 to be free from defects in material and workmanship for a period of two (2) years after delivery to the original purchaser. The first year warranty would include parts and labor. The second year warranty would be limited to parts manufactured by Allmand Bros. Inc. and components warranted by the original equipment manufacturer for more than 12 months. Additionally, Allmand Bros. Inc., hereby warrants all replacement parts supplied by Allmand Bros. Inc. to be free from defects in material and workmanship for a period of 90 days after date of invoice. Delivery shall be deemed for the purposes of this warranty to have occurred no later than five days following the date of sale agreement or invoice unless the purchase agreement or invoice specifically states a later delivery date in which case such delivery date shall control. The original purchaser shall be deemed to be a person who places the goods or products in actual use, and any person holding such goods solely for wholesale or retail sale purposes shall not constitute an original purchaser. PROVIDED, any leasing of these goods or other use beyond normal demonstration of same shall be deemed to be a use by an original purchaser and all warranty periods shall commence at the time of such use. During the warranty period any defective goods or parts hereof shall be repaired or replaced at manufacturer's discretion. In the event it is necessary to return such goods or parts to the factory, all transportation charges shall be prepaid. The manufacturer shall in no event pay mileage expenses, but will warrant outbound ground freight.

The obligations of the manufacturer is solely to repair or replace defective goods or parts or to refund the cost of the same if it is determined by the manufacturer that repair or replacement will not return the goods to proper working order or utility. **THE REMEDIES SET FORTH HEREIN ARE EXCLUSIVE AND MANUFACTURER SHALL NOT BE LIABLE FOR SPECIAL, INDIRECT OR CONSEQUENTIAL DAMAGES. THE OBLIGATIONS OF THE MANUFACTURER HEREUNDER SHALL IN NO WAY EXCEED THE PRICE OF THE EQUIPMENT OR PART UPON WHICH SUCH LIABILITY IS BASED.**

The warranty shall not extend to tires, lamps and batteries or parts which have been altered, changed, damaged or improperly installed, repaired, operated or maintained. Provided, this exclusion shall not apply to installations, repairs or other work done at the manufacturer's plant or under direct manufacturer's supervision. The Operator's Manual, to the extent covered therein, is deemed to set forth the proper procedures for operation, repair, installation and maintenance of these goods.

No representative, dealer or distributor of the company is authorized to make any changes or exceptions to this warranty unless expressly authorized in writing from the manufacturer. All warranty claims must be filed within forty-five (45) days of failure.

This warranty is subject to change without notice.

ALLMAND BROS. INC., 1502 W 4th Avenue, P.O. BOX 888, HOLDREGE, NE 68949 (308) 995-4495