

# ASSEMBLY PARTS AND ACCESSORIES

---

DECEMBER 1999

# Allmand™

## CONTRACTOR

### TLB 25D

Assembly # 0022

ALLMAND BROS. INC  
P.O. BOX 888  
HOLDREGE, NE 68949

PHONE: 308/995-4495, 1-800/562-1373  
ALLMAND FAX: 308/995-5887  
ALLMAND PARTS FAX: 308/995-4883

# Allmand™ CONTRACTOR

# TABLE OF CONTENTS

---

FRAME AND DIFFERENTIAL	A-1A
FRAME AND DIFFERENTIAL PARTS LIST	A-1B
PARK BRAKE ASSEMBLY	A-2A
PARK BRAKE ASSEMBLY PARTS LIST	A-2B
DRIVE MOTOR ASSEMBLY	A-2C
DRIVE MOTOR ASSEMBLY PARTS LIST	A-2D
DRIVE MOTOR ASSEMBLY (FRONT WHEEL ASSIST)	A-2E
DRIVE MOTOR ASSEMBLY (FRONT WHEEL ASSIST) PARTS LIST	A-2F
TRACTOR SEAT AND OIL FILTER ASSEMBLY	A-3A
TRACTOR SEAT AND OIL FILTER PARTS LIST	A-3B
FORWARD/REVERSE PEDAL ASSEMBLY	A-4A
FORWARD/REVERSE PEDAL PARTS LIST	A-4B
HYDROSTAT LINKAGE ASSEMBLY	A-4C
HYDROSTAT LINKAGE ASSEMBLY PARTS LIST	A-4D
FRAME RAIL AND ENGINE MOUNTS	A-5A
FRAME RAIL AND ENGINE MOUNT PARTS LIST	A-5B
ORBITROL/LOADER VALVE MOUNT ASSEMBLY	A-6A
ORBITROL/LOADER VALVE MOUNT PARTS LIST	A-6B
LOADER VALVE AND HANDLE ASSEMBLY	A-6C
LOADER VALVE AND HANDLE ASSEMBLY PARTS	A-6D
FRONT AXLE INSTALLATION	A-7A
FRONT AXLE INSTALLATION PARTS LIST	A-7B
FRONT AXLE ASSEMBLY	A-7C
FRONT AXLE ASSEMBLY PARTS LIST	A-7D
FRONT AXLE ASSEMBLY (FRONT WHEEL ASSIST)	A-7E
FRONT AXLE ASSEMBLY (FRONT WHEEL ASSIST) PARTS LIST	A-7F
FRONT AXLE INSTALLATION (FRONT WHEEL ASSIST)	A-7G
FRONT AXLE INSTALLATION (FRONT WHEEL ASSIST) PARTS LIST	A-7H
BATTERY TRAY AND FITTINGS	A-8A
BATTERY TRAY AND FITTINGS PARTS	A-8B
KUBOTA ENGINE	A-9A
KUBOTA ENGINE PARTS LIST	A-9B
HYDROSTAT AND FITTINGS	A-9C
HYDROSTAT AND FITTINGS PARTS LIST	A-9D
KUBOTA ENGINE, FRAME AND MUFFLER	A-10A
KUBOTA ENGINE, FRAME AND MUFFLER PARTS LIST	A-10B
DRIVE MOTOR HOSE ASSEMBLY	A-11A
DRIVE MOTOR HOSE ASSEMBLY PARTS LIST	A-11B
HYDROSTAT HOSE ASSEMBLY	A-11C
HYDROSTAT HOSE ASSEMBLY PARTS	A-11D
STEERING HYDRAULIC ASSEMBLY	A-11E
STEERING HYDRAULIC ASSEMBLY PARTS	A-11F
COOLER/LOADER VALVE HYDRAULIC ASSEMBLY	A-11G
COOLER/LOADER VALVE HYDRAULIC ASSEMBLY PARTS	A-11H
DRIVE MOTOR HYDRAULIC HOSE ASSEMBLY (FRONT WHEEL ASSIST)	A-11I
DRIVE MOTOR HYDRAULIC HOSE ASSEMBLY (FRONT WHEEL ASSIST)PARTS LIST	A-11J

# TABLE OF CONTENTS

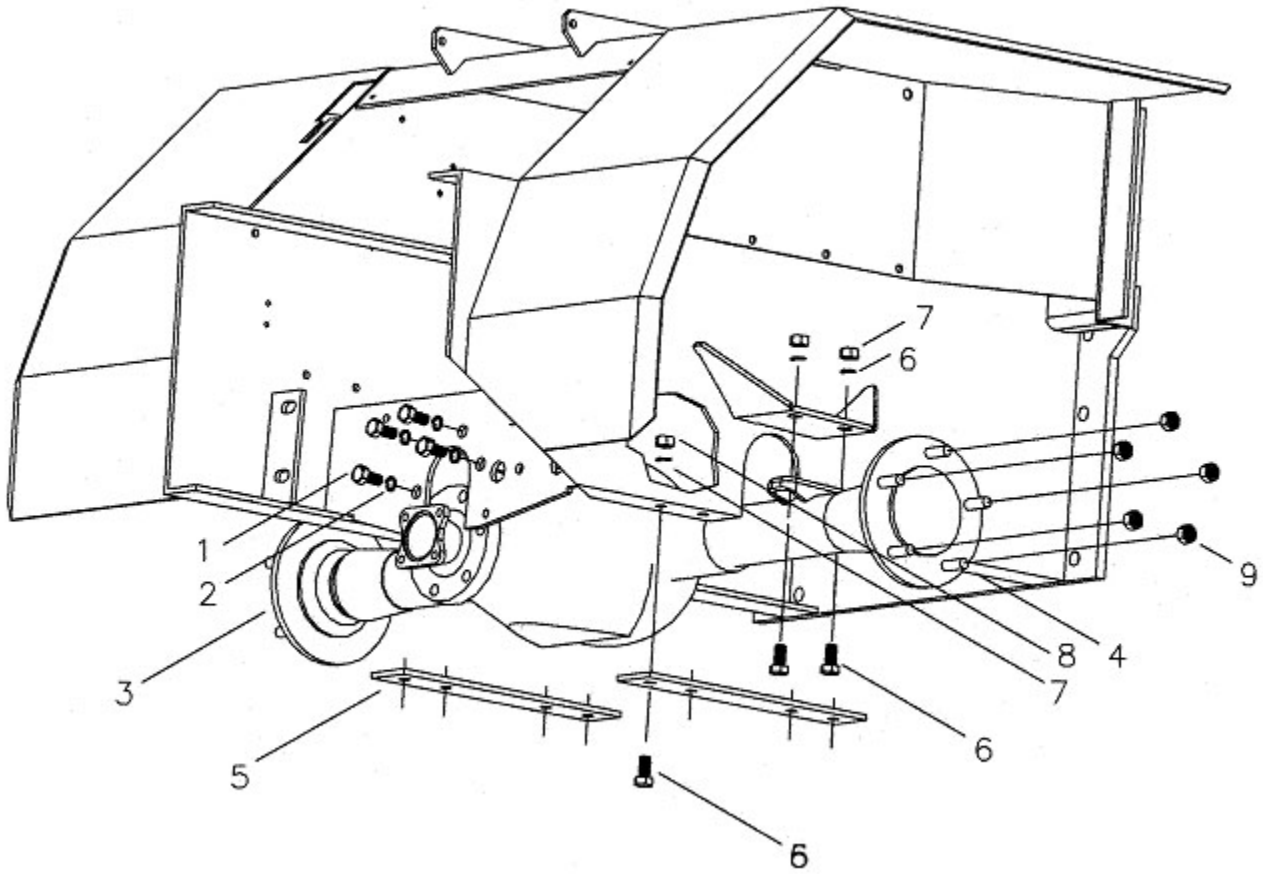
---

NOSE ASSEMBLY	A-12A
NOSE ASSEMBLY PARTS LIST	A-12B
RADIATOR AND AIR CLEANER ASSEMBLY	A-12C
RADIATOR ASSEMBLY PARTS LIST	A-12D
HOOD AND INSTRUMENT PANEL ASSEMBLY	A-13A
HOOD AND INSTRUMENT PANEL PARTS LIST	A-13B
INSTRUMENT PANEL ASSEMBLY	A-13C
INSTRUMENT PANEL ASSEMBLY PARTS LIST	A-13D
ROPS KIT ASSEMBLY	A-14A
ROPS KIT PARTS LIST	A-14B
OPTIONAL BACKUP, STROBE, AND WORK LIGHTS	A-14C
BACKUP, STROBE, AND WORK LIGHTS PARTS LIST	A-14D
OPTIONAL BACKUP ALARM SWITCH ASSEMBLY	A-14E
OPTIONAL BACKUP ALARM SWITCH PARTS LIST	A-14F
LOADER/BUCKET ASSEMBLY	A-15A
LOADER/BUCKET ASSEMBLY PARTS LIST	A-15B
LOADER HYDRAULIC ASSEMBLY	A-15C
LOADER HYDRAULIC ASSEMBLY PARTS LIST	A-15D
BACKHOE SEAT ASSEMBLY	A-16A
BACKHOE SEAT ASSEMBLY PARTS LIST	A-16B
AUXILIARY VALVE ASSEMBLY (BEFORE 7/1/98)	A-16C
AUXILIARY VALVE ASSEMBLY PARTS LIST (BEFORE 7/1/98)	A-16D
AUXILIARY VALVE ASSEMBLY (AFTER 7/1/98)	A-16E
AUXILIARY VALVE ASSEMBLY PARTS LIST (AFTER 7/1/98)	A-16F
FUEL TANK ASSEMBLY	A-17A
FUEL TANK ASSEMBLY PARTS LIST	A-17B
DECALS (DASH/FENDERS)	A-18A
DECALS (DASH/FENDERS) PARTS LIST	A-18B
DECALS (RIGHT SIDE)	A-18C
DECALS (RIGHT SIDE) PARTS LIST	A-18D
DECALS (LEFT SIDE)	A-18E
DECALS (LEFT SIDE) PARTS LIST	A-18F
DECALS (ROPS)	A-18G
DECALS (ROPS) PARTS LIST	A-18H
DECALS (HOOD AND NOSE)	A-18I
DECALS (HOOD AND NOSE) PARTS LIST	A-18J
DECALS (LOADER)	A-18K
DECALS (LOADER) PARTS LIST	A-18L
DECALS (BUCKET)	A-18M
DECALS (BUCKET) PARTS LIST	A-18N
BACKHOE BUCKET OPTIONS	A-19A
BACKHOE BUCKET OPTIONS PARTS LIST	A-19B
STABILIZER GUARDS	A-20A
STABILIZER GUARDS PARTS LIST	A-20B

# FRAME AND DIFFERENTIAL

## MODEL TLB 20D-25D

A-1A



# FRAME AND DIFFERENTIAL

## MODEL TLB 20D-25D

A-1B

NO	REQ'D	PART NO	DESCRIPTION
1	4	**	9/16-12 NC X 1-1/4" GRADE 5 BOLT
2	4	**	9/16 SPLIT LOCK WASHER
3	1	10-000113	COMPLETE REAR AXLE ASSEMBLY (489:1)
		920146	(2) SHAFT ASSEMBLY COMPLETE
		920147	(1) SEAL PINION
4		920148	(10) WHEEL STUD
5	2	92T054	AXLE CUTOFF SUPPORT
6	12	**	1/2-13 NC X 1-1/4" GRADE 5 BOLT
7	12	**	1/2 SPLIT LOCK WASHER
8	16	**	1/2-13 NC HEX HEAD NUT
9	10	920295	1/2 - 20 90 DEGREE LUG NUT
NS	2	920415	REAR WHEEL ASSEMBLY (STANDARD)
		920316	(2) REAR WHEEL 15 X 13
		920310	(2) TIRE SUPER TERRA GRIP 31-15.50-15
NS	2	920412	REAR WHEEL ASSEMBLY
		920316	(2) REAR WHEEL 15 X 13
		920305	(2) TIRE SOFTRAC 31-15.50-15

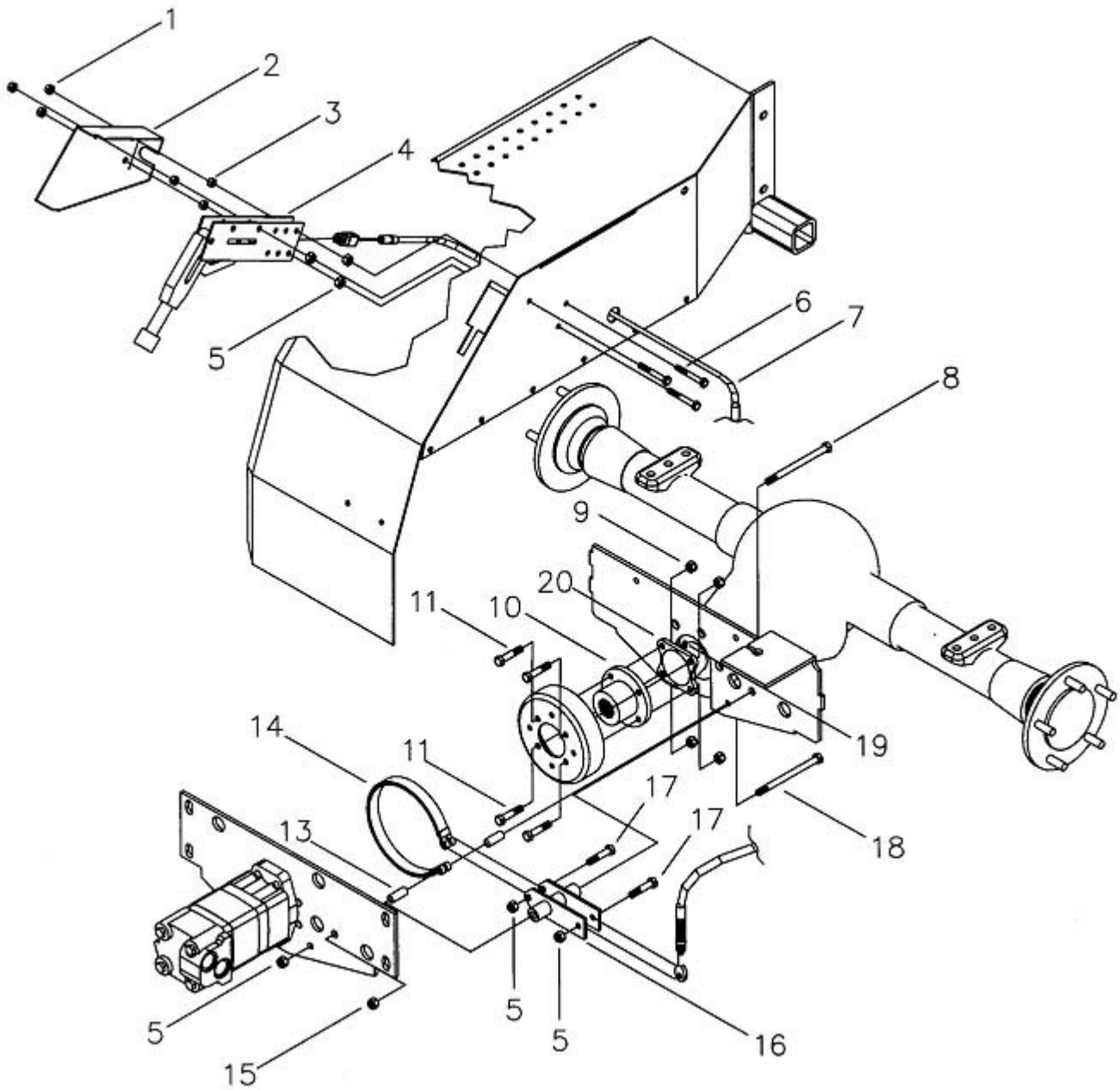
**LEGEND: NS = Not Shown**

**\*\* = Purchase locally**

# PARK BRAKE ASSEMBLY

## MODEL TLB 20D-25D

A-2A



# PARK BRAKE ASSEMBLY PARTS

## MODEL TLB 20D-25D

A-2B

NO	REQ'D	PART NO	DESCRIPTION
1	3	**	5/16 -18 NC KEPS NUT
2	1	92T063	PARK BRAKE COVER
3	3	**	5/16 -18 NC NYLON INSERT NUT
4	1	920220	PARK BRAKE LEVER
5	6	**	3/8 -16 NC NYLON INSERT NUT
6	3	**	5/16 -18 INC X 2 1/4 GRADE 5 BOLT
7	1	920221	BRAKE CONTROL ASSEMBLY
8	1	**	7/16 -14 NC X 5 GRADE 5 BOLT
9	4	044057	3/8-16 NC GRADE 8 NUT
10	1	921232	DRIVE HUB COUPLER (Replaces 92T045 and 920223)
11	4	046161	7/16-20 x 2" GRADE 8 BOLT (Replaces HC117 and HC118)
13	2	92T092	PARK BRAKE SPACER
14	1	920222	BRAKE BAND ASSEMBLY
15	1	**	7/16 -14 NC NYLON INSERT NUT
16	1	92T064	BRAKE ACTUATOR WELDMENT
17	2	**	3/8 - 16 NC X 2 GRADE 5 BOLT
18	1	**	3/8 - 16 NC X 5 GRADE 8 BOLT
19	1	401256	1/4 - 28 NIF STRAIGHT GREASE ZERK
20	1	921169	COMPANION FLANGE 1350 (Replaces 920150A Companion Flange)

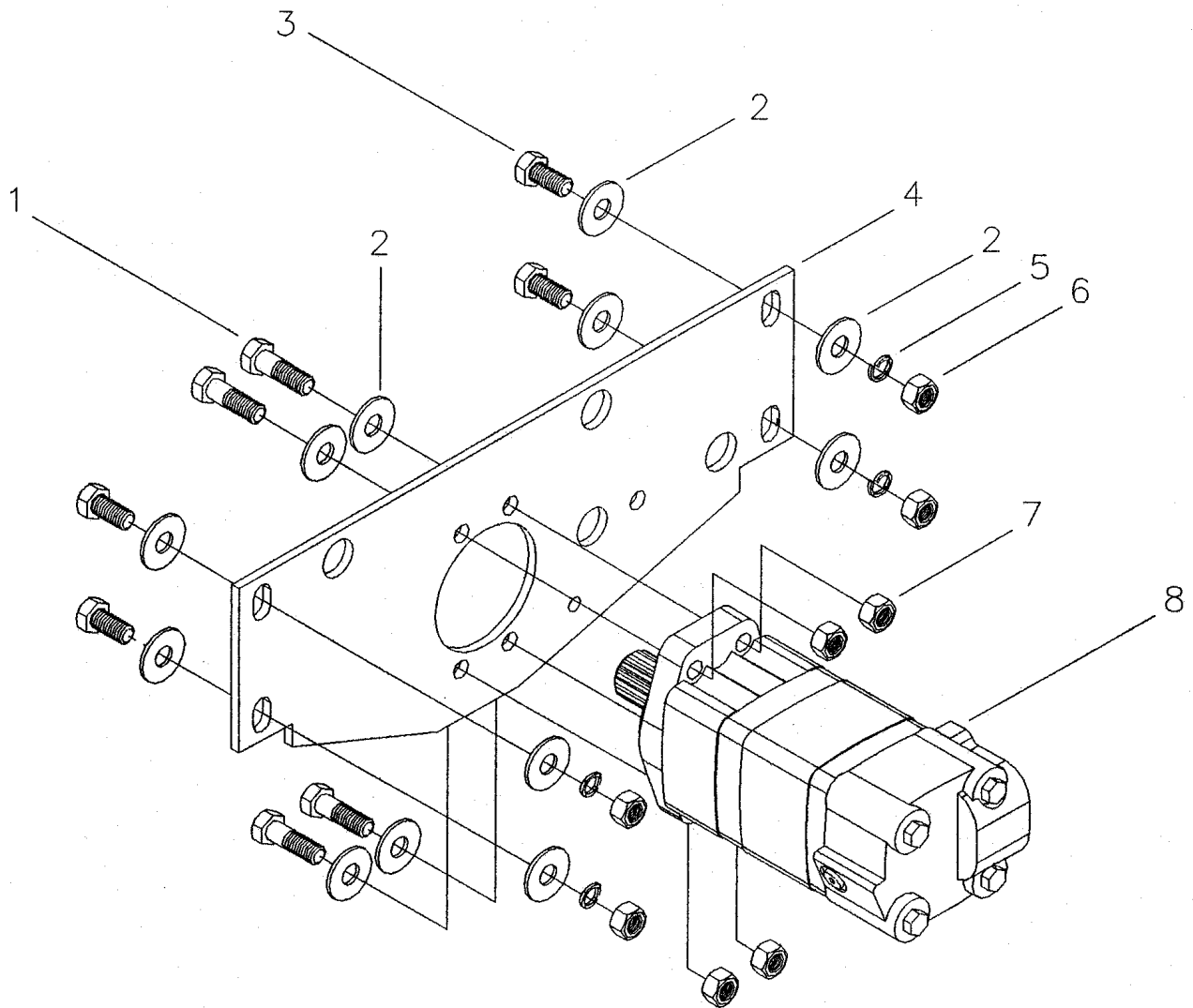
**LEGEND: NS = Not Shown**

**\*\* = Purchase locally**

# DRIVE MOTOR ASSEMBLY

## MODEL TLB 20D-25D

A-2C





# DRIVE MOTOR ASSEMBLY PARTS

---

## MODEL TLB 20D-25D

A-2D

NO	REQ'D	PART NO	DESCRIPTION
1	4	**	1/2 - 13 NC X 2 GRADE 8 BOLT
2	12	**	1/2 GRADE 8 FLAT WASHER
3	4	**	1/2 - 13 NC X 1 1/4 GRADE 5 BOLT
4	1	92TO37	CROSS MEMBER, HYDRAULIC MOTOR
5	4	**	1/2 SPLIT LOCK WASHER
6	4	**	1/2 - 13 NC HEX NUT
7	4	**	1/2 - 13 NC NYLON INSERT NUT
8	1	920321	4 BOLT HYDRAULIC MOTOR, CHAR-LYNN (OBSOLETE-USE 920939-05 ROSS DRIVE MOTOR RETRO KIT)
		920338	HYDRAULIC MOTOR, ROSS ME15 (after SN 0002T360022 (See A-2E on next page for illustration)

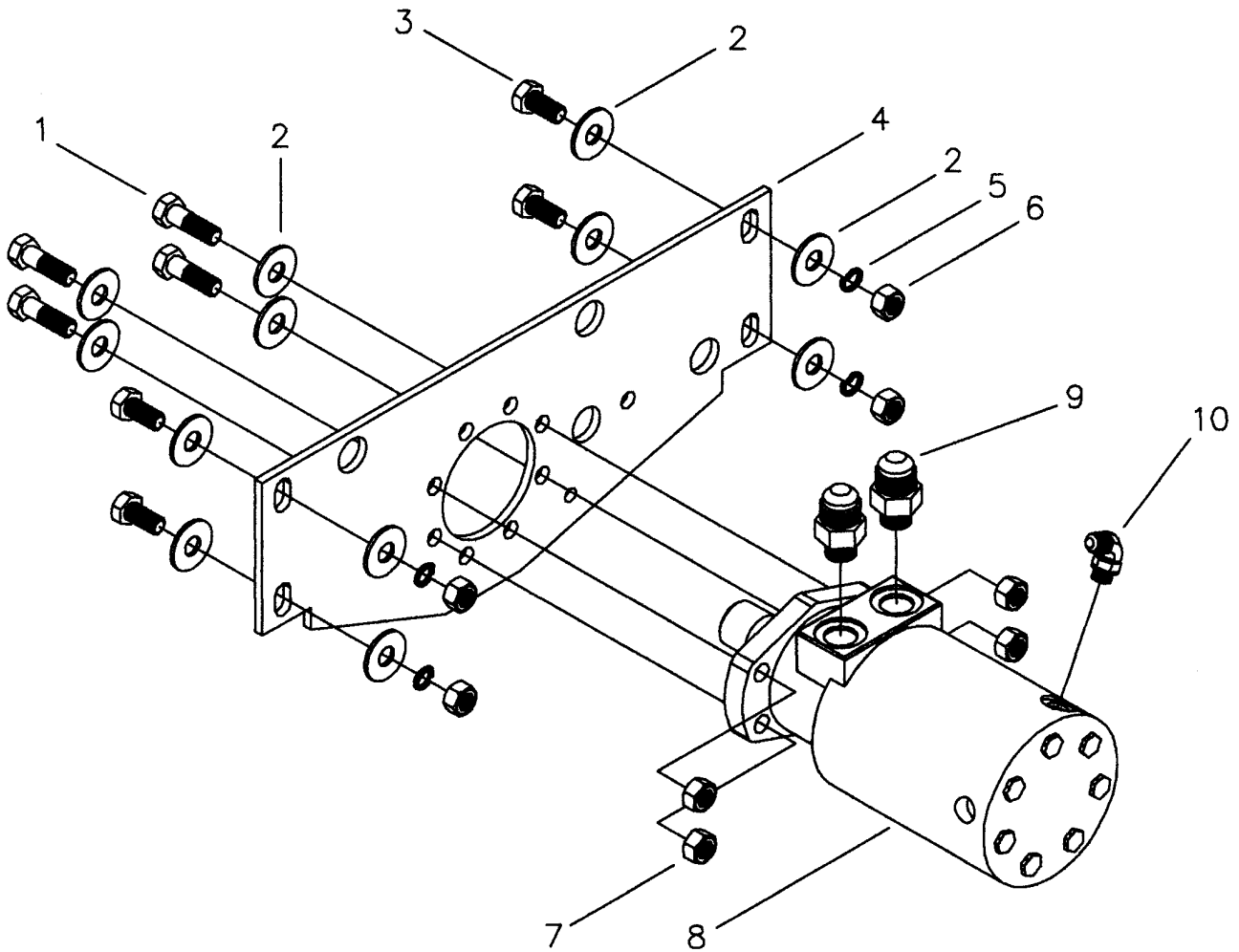
**LEGEND: NS = Not Shown**

**\*\* = Purchase locally**

# DRIVE MOTOR ASSEMBLY (FWA)

## MODEL TLB 20D-25D

A-2E



# DRIVE MOTOR ASSEMBLY (FWA) PARTS

---

## MODEL TLB 20D-25D

A-2F

NO	REQ'D	PART NO	DESCRIPTION
1	4	**	1/2 - 13 NC X 2 GRADE 8 BOLT
2	12	**	1/2 GRADE 8 FLAT WASHER
3	4	**	1/2 - 13 NC X 1 1/4 GRADE 5 BOLT
4	1	92T037	CROSS MEMBER, HYDRAULIC MOTOR
5	4	**	1/2 SPLIT LOCK WASHER
6	4	**	1/2 - 13 NC HEX NUT
7	4	**	1/2 - 13 NC NYLON INSERT NUT
8	1	920338	4 BOLT HYDRAULIC MOTOR, ROSS ME15
9	2	920674	STRAIGHT THREAD CONNECTOR, 12-10 F50X-S
10	1	920692	STRAIGHT THREAD ELBOW, 6 C50X-S

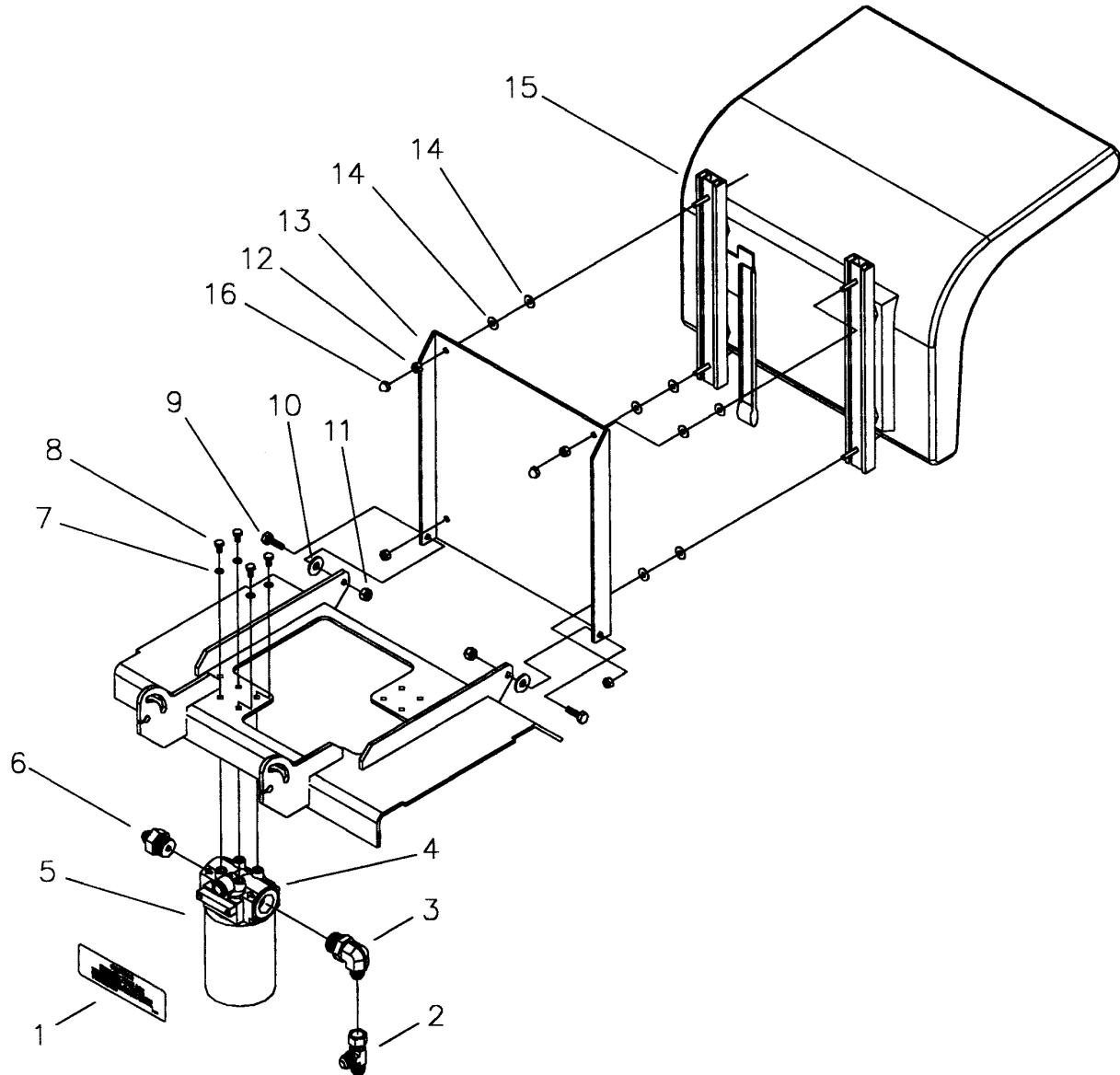
**LEGEND: NS = Not Shown**

**\*\* = Purchase locally**

# TRACTOR SEAT AND OIL FILTER ASSEMBLY

MODEL TLB 20D-25D

A-3A



# TRACTOR SEAT AND OIL FILTER PARTS

---

## MODEL TLB 20D-25D

A-3B

NO	REQ'D	PART NO	DESCRIPTION
1	1	DD-257	DECAL, CHANGE FILTER ELEMENT
2	1	920835	HYDRAULIC ADAPTER TEE 8R6X-S,
3	1	920821	ADAPTER STREET ELBOW 3/4 CD-S
4	1	920809	RETURN FILTER HEAD
5		920803	FIBER GLASS ELEMENT REPLACEMENT FILTER
		920335	FIBER GLASS ELEMENT REPLACEMENT FILTER (BEFORE S/N 9911T01)
6	1	920816	ADAPTER MALE CONNECTOR 8-12F50X-S
7	4	**	1/4 INTERNAL TOOTH LOCK WASHER
8	4	**	1/4 20 NC X 1/2 GRADE 5 BOLT
9	2	**	3/8 16 NC X 1 1/4 GRADE 5 BOLT
10	2	**	5/16 FLAT WASHER
11	2	**	3/8 16 NC NYLON INSERT NUT
12	4	**	5/16 18 NC KEPS NUT
13	1	92T196	SEAT MOUNT PLATE
14	8	**	1/4 FLAT WASHER
15	1	920245	TRACTOR SEAT W/ADJUSTERS
16	2	**	5/16" ACORN NUT

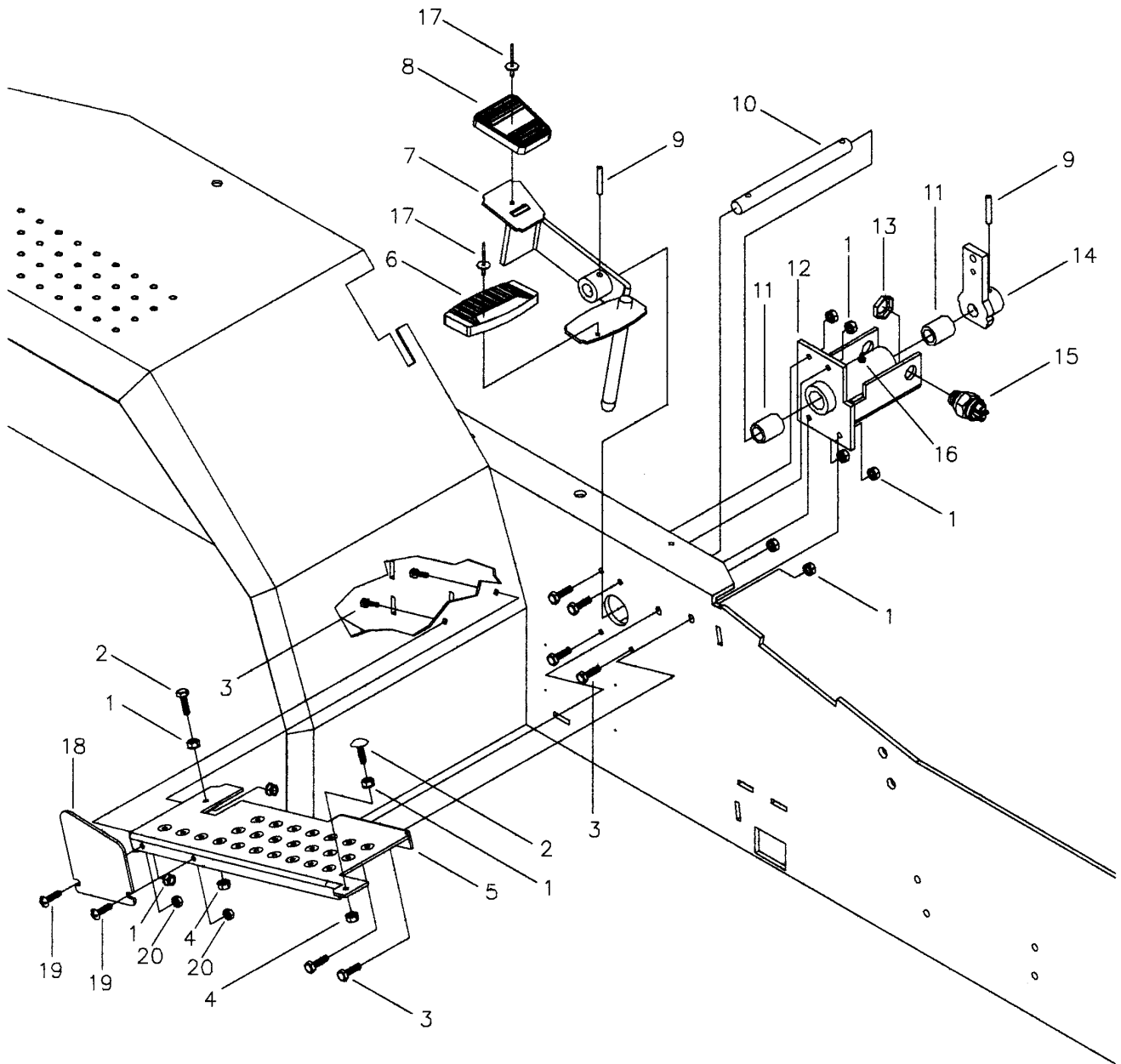
**LEGEND: NS = Not Shown**

**\*\* = Purchase locally**

# FORWARD/REVERSE PEDAL ASSEMBLY

MODEL TLB 20D-25D

A-4A



# FORWARD/REVERSE PEDAL ASSEMBLY PARTS

---

## MODEL TLB 20D-25D

A-4B

NO	REQ'D	PART NO	DESCRIPTION
1	10	**	5/16 -18 NC KEPS NUT
2	2	**	5/16 -18 NC X 1 112 FULL THREAD PAN HEAD BOLT
3	8	**	5/16 -18 NC X 1 GRADE 5 BOLT
4	2	**	5/16 -18 NC NYLON INSERT NUT
5	1	92T087	RIGHT SIDE FOOT REST
6	1	920280	PEDAL PAD, LARGE
7	1	92T085	RIGHT FOOT PEDAL
8	1	920281	BRAKE PEDAL PAD, REAR
9	2	HD145	1/4 X 1 1/2 ROLL PIN
10	1	92T086	RIGHT FOOT PEDAL PIVOT SHAFT
11	2	92T055B	PEDAL BUSHING
12	1	92T055	RIGHT FOOT PEDAL MOUNT WELDMENT
13	1	HN065	3/4 X 16 PALNUT
14	1	92T160	RIGHT FOOT PEDAL F/R LINKAGE ARM
15	1	920430	NEUTRAL SAFETY SWITCH
16	1	401256	1/4 - 28 NF STRAIGHT GREASE ZERK
17	2	**	POP RIVET
18	1	920874	RIGHT SIDE STEP PEDAL PROTECTOR
19	2	**	1/4 - 20 X 1 TRUSS HEAD SCREW
20	2	**	1/4 - 20 KEPS NUT

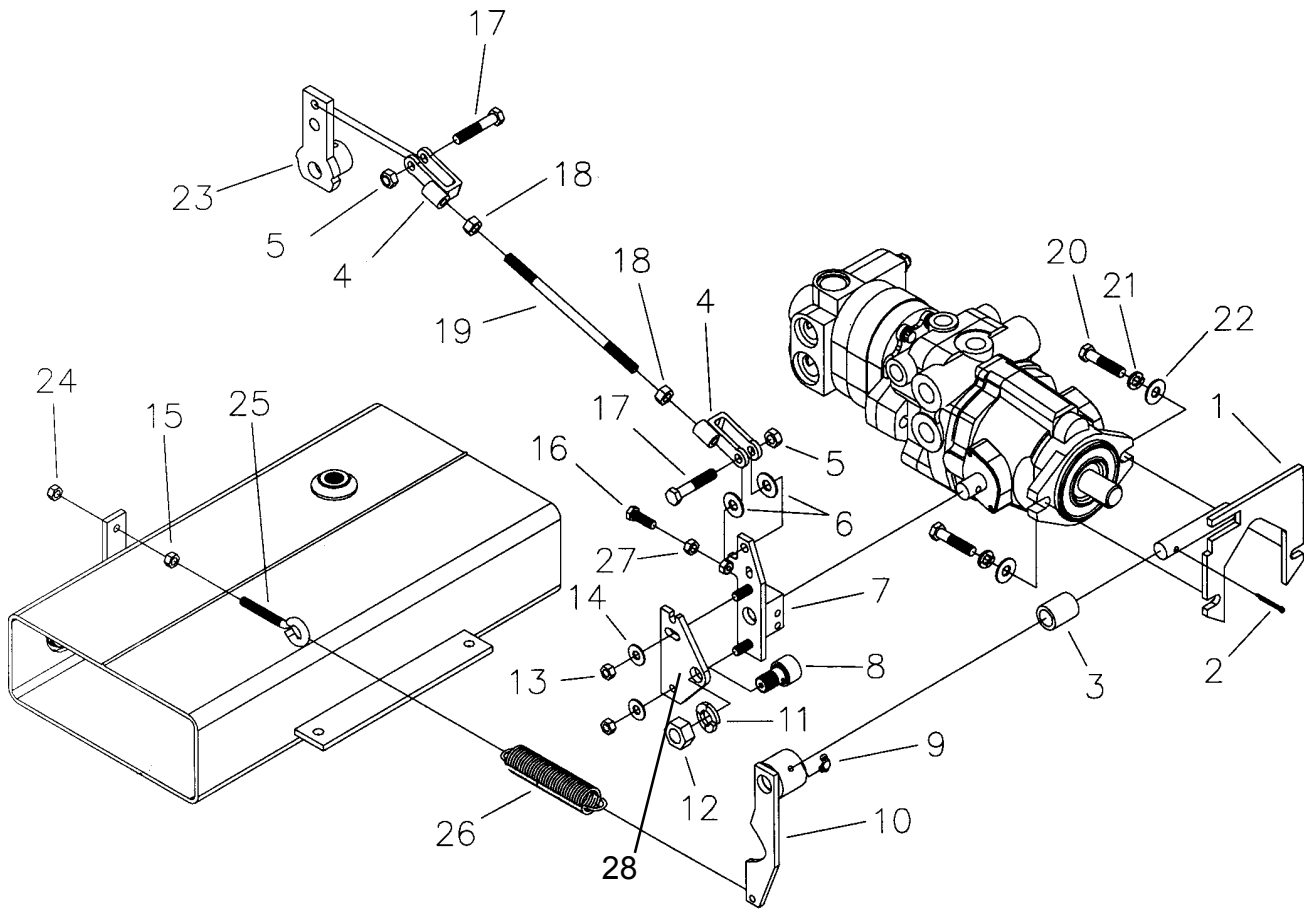
**LEGEND: NS = Not Shown**

**\*\* = Purchase locally**

# HYDROSTAT LINKAGE ASSEMBLY

MODEL TLB 20D-25D

A-4C





# HYDROSTAT LINKAGE ASSEMBLY PARTS

## MODEL TLB 20D-25D

A-4D

NO	REQ'D	PART NO	DESCRIPTION
1	1	92T070	CENTER BEARING PIVOT WELDMENT
2	1	HD045	5/32 X 1-1/2 COTTER PIN
3	1	92T055B	BUSHING
4	2	712572	OFFSET YOKE, 3/8 - 24 NF (AFTER SN 9707T23)
		**	5/16 SPLIT LOCKWASHER (BEFORE SN 9707T23)
5	2	HN080	3/8 - 16 NC TOP LOCK NUT (AFTER SN 9707T23)
		**	5/16 - 24 NF HEX NUT (BEFORE SN 9707T23)
6	2	**	3/8 SAE FLAT WASHER (AFTER SN 9707T23)
7	1	921168	LINKAGE ARM, HYDROSTAT, SQUARE BUSHING
8	1	920218	CAM FOLLOWER
9	1	401257	1/4 - 28 NF 90* GREASE ZERK
10	1	92T069	CENTER BEARING MOUNT PLATE WELDMENT
11	1	**	5/8 SPLIT LOCKWASHER
12	1	**	5/8 - 18 NF HEX NUT
13	2	**	5/16 - 24 NF NYLON INSERT NUT
14	2	**	5/16 FLAT WASHER
15	2	**	5/16 - 18 NC HEX NUT
16	1	**	5/16 - 18 NC x 1" GRADE 5 BOLT
17	2	**	3/8 - 16 NC x 2" GRADE 8 BOLT (AFTER SN 9707T23)
		920174	SPHERICAL ROD END - RIGHT HAND (BEFORE SN 9707T23)
18	2	**	3/8 - 24 NF HEX NUT (AFTER SN 9707T23)
19	1	92T156	3/8 LINK ROD (AFTER 9707T23)
		92T084	LINK ROD (BEFORE 9707T23)
20	2	**	3/8 - 16 NC x 2" GRADE 5 BOLT (AFTER SN 9706T19)
21	2	**	3/8 SPLIT LOCKWASHER
22	2	**	5/16 HARDENED STEEL FLAT WASHER (AFTER SN 9706T1)
23	1	92T160	RIGHT FOOT PEDAL F/R LINKAGE ARM
24	1	**	5/16 - 18 NC NYLON INSERT NUT
25	1	HD068	5/16 - 18 NC x 3" EYE BOLT
26	1	920237	SPRING, PEDAL RETURN
27	1	**	5/16 - 24 NF HEX NUT
28	1	92T048	CENTER BEARING PLATE

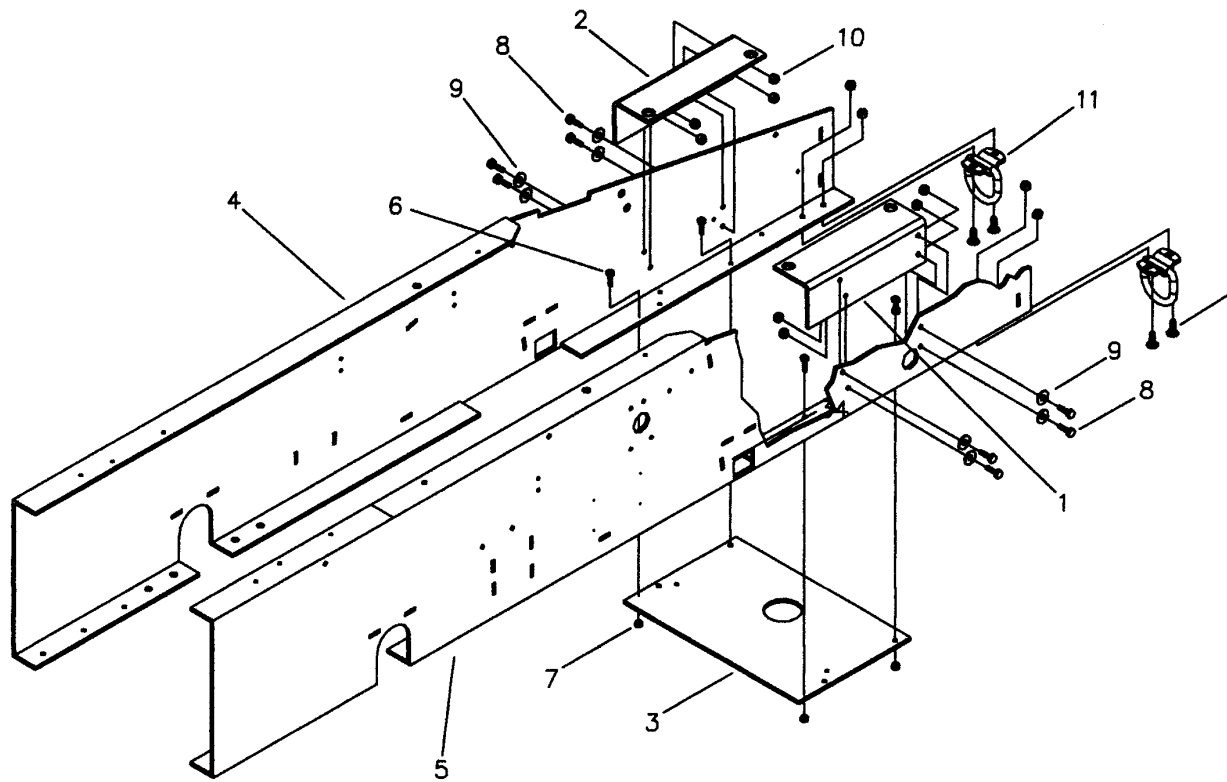
**LEGEND: NS = Not Shown**

**\*\* = Purchase locally**

# FRAME RAIL AND ENGINE MOUNTS

## MODEL TLB 20D-25D

A-5A



# FRAME RAIL AND ENGINE MOUNTS PARTS LIST

---

## MODEL TLB 20D-25D

A-5B

NO	REQ'D	PART NO	DESCRIPTION
1	1	92T065	KUBOTA ENGINE FRAME RIGHT MOUNT
2	1	92T030	KUBOTA ENGINE FRAME LEFT MOUNT
3	1	92T088	SKID PLATE
4	1	92T003A	LEFT FRAME RAIL
5	1	92T0031	RIGHT FRAME RAIL
6	4	**	5/16-18 NC x 1-1/4 GRADE 5 BOLT
7	4	**	5/16-18 NC NYLON INSERT NUT
8	8	**	3~8-16 NC x 1-1/4 GRADE 5 BOLT
9	8	**	3 8 FLAT WASHER
10	12	**	3/8-16 NC NYLON INSERT NUT
11	2	920021	TIE DOWN HOOK
12	4	**	3/8 - 16 NC X 1 CARRIAGE BOLT

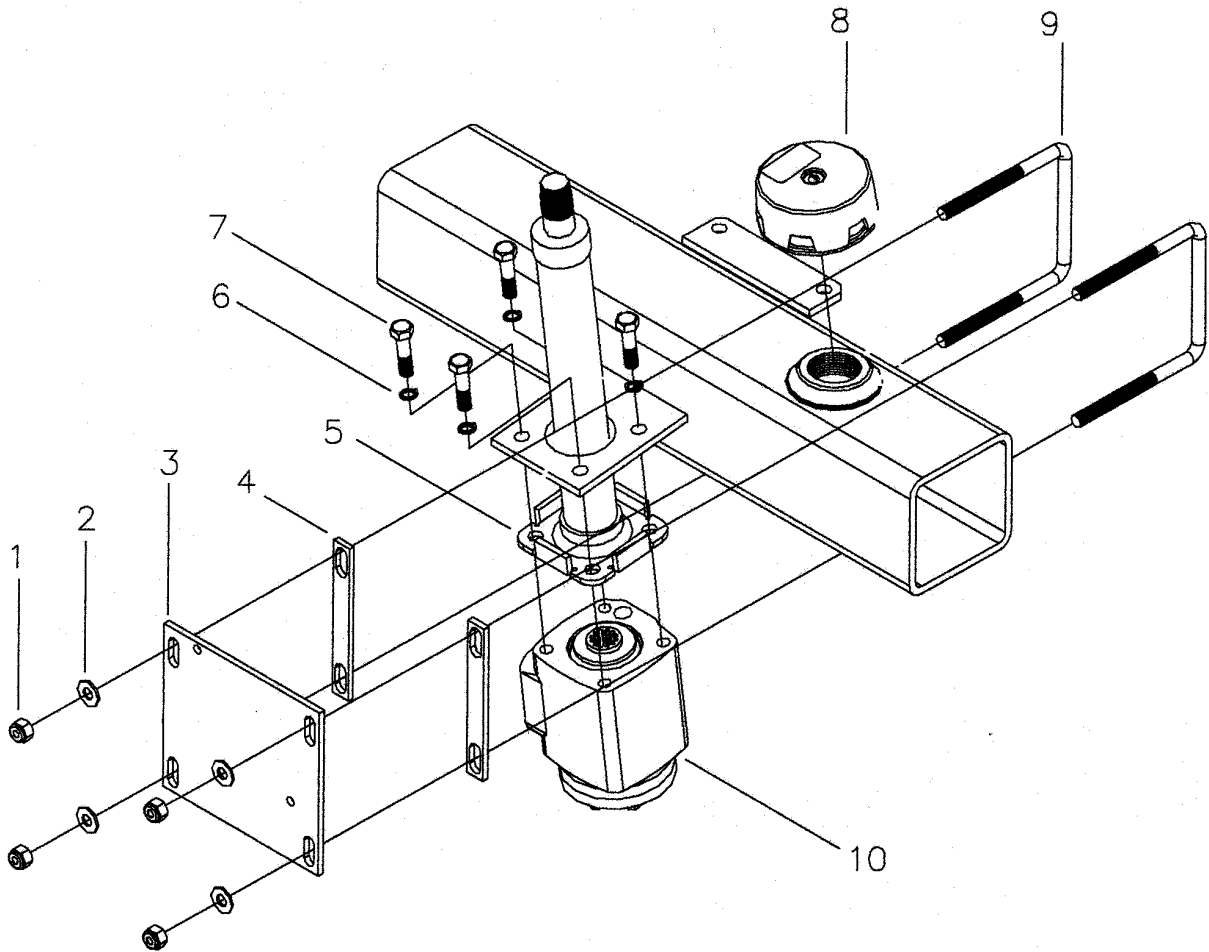
**LEGEND: NS = Not Shown**

**\*\* = Purchase locally**

# ORBITROL/LOADER VALVE MOUNT ASSEMBLY

MODEL TLB 20D-25D

A-6A



# ORBITROL/LOADER VALVE MOUNT PARTS

---

## MODEL TLB 20D-25D

A-6B

NO	REQ'D	PART NO	DESCRIPTION
1	4	**	3/8 - 16 NC TOP-LOCK LOCK NUT
2	4	**	5/16 FLAT WASHER
3	1	92T111	VALVE MOUNTING PLATE
4	2	92T112	VALVE MOUNTING PLATE SPACER
5	1	920157	STEERING COLUMN - 11"
6	4	**	3/8 SPLIT LOCK WASHER
7	4	**	3/8 - 16 NC X 1 1/2 GRADE 5 BOLT
8	1	920322	BREATHER CAP
9	2	92T113	VALVE MOUNTING U-BOLT
10	1	920155	STEERING ORBITAL 4.23 CID
NS		920156	STEERING WHEEL
NS		920158	STEERING WHEEL NUT

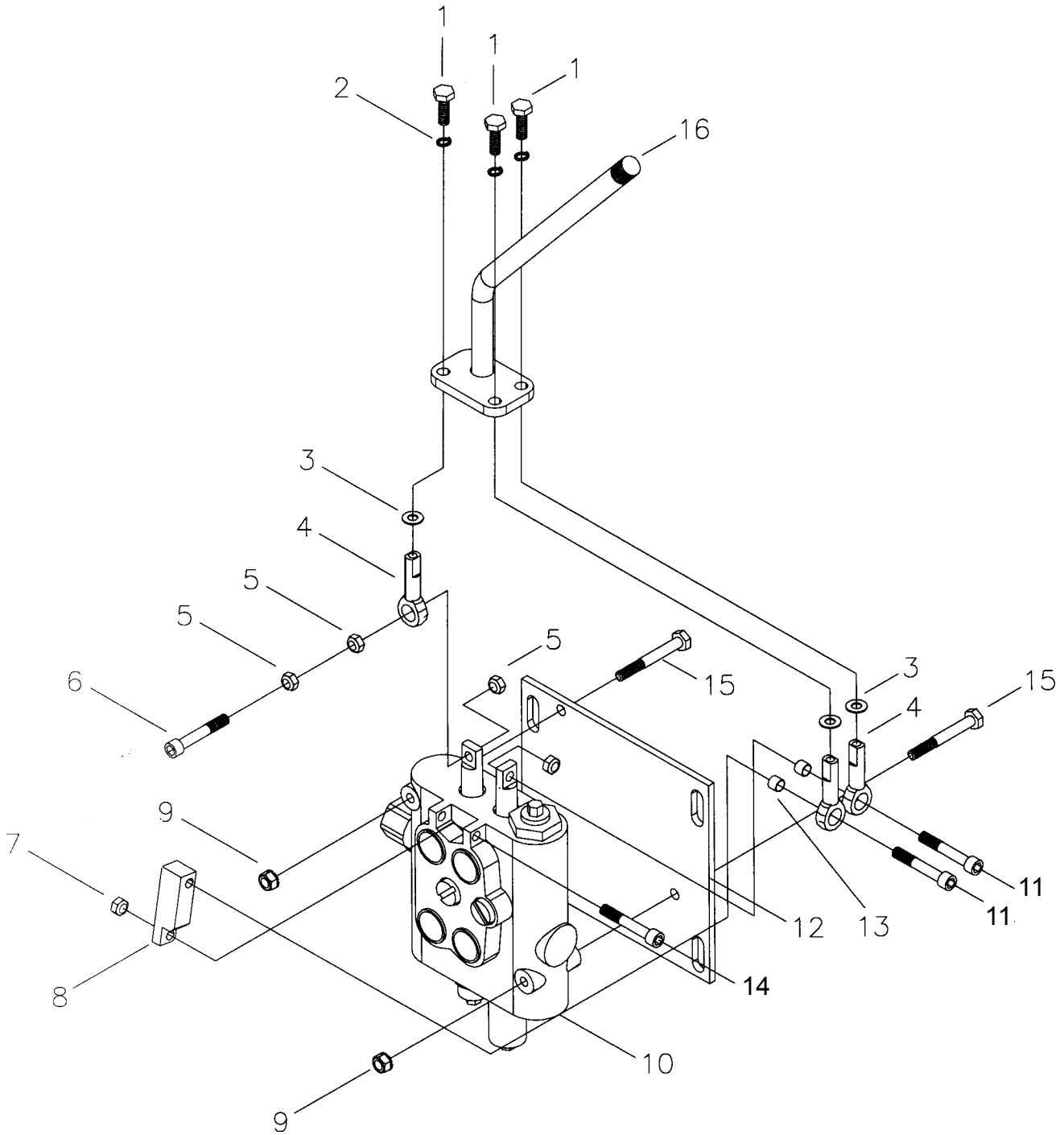
**LEGEND: NS = Not Shown**

**\*\* = Purchase locally**

# LOADER VALVE AND HANDLE ASSEMBLY

MODEL TLB 20D-25D

A-6C



# LOADER VALVE / HANDLE ASSEMBLY PARTS

---

MODEL TLB 20D-25D

A-6D

NO	REQ'D	PART NO	DESCRIPTION
1	3	**	1/4 - 28 NF X 3/4 GRADE 5 BOLT
2	3	**	1/4 SPLIT LOCK WASHER
3	3	**	1/4 FLAT WASHER
4	3	920176	FEMALE ROD END
5	5	**	1/4 - 28 NF HEX NUT
6	1	**	1/4 - 28 X 2 SOCKET HEAD CAP SCREW
7	1	**	1/4 - 28 NF NYLON INSERT HEX NUT
8	1	921023	PIVOT BLOCK LOADER VALVE
9	2	**	1/4 - 20 NC KEPS NUT
10	1	920329	EATON VALVE 2-SPOOL
11	2	048009	1/4 - 28 X 1-1/4 SOCKET HEAD CAP SCREW
12	1	92T111	VALVE MOUNTING PLATE
13	1	921022	ROD END BUSHING
14	1	**	1/4 - 28 X 1 SOCKET HEAD CAP SCREW
15	2	**	1/4 - 20 NC X 2 GRADE 5 BOLT
16	1	921020	LOADER VALVE JOYSTICK
NS		920355	JOYSTICK BOOT

**LEGEND: NS = Not Shown**

**\*\* = Purchase locally**





# FRONT AXLE INSTALLATION PARTS

---

## MODEL TLB 20D-25D

A-7B

NO	REQ'D	PART NO	DESCRIPTION
1	1	HN075	1 3/4 - 12 HEX JAM NUT
2	1	92T152	FRONT AXLE NUT PLATE
3	1	92T100	AXLE PIVOT BOLT BRACKET WELDMENT
4	1	920243	FRONT AXLE ASSEMBLY
5	2	**	5/16 FLAT WASHER
6	2	**	5/16 SPLIT LOCK WASHER
7	2	**	5/16 - 18 NC X 1 GRADE 5 BOLT
8	AR	FW063	1 3/4 I.D. X 2 1/4 O.D. MACHINE BUSHING 18 GA.
	AR	FW064	1 3/4 I.D. X 2 1/4 O.D. MACHINE BUSHING 14 GA.
	AR	FW065	1 3/4 I.D. X 2 1/4 O.D. MACHINE BUSHING 10 GA.
9	1	92T002	PIVOT BOLT ASSEMBLY
10	5	401259	1/4 - 28 STRAIGHT GREASE ZERK

**LEGEND: NS = Not Shown**

**\*\* = Purchase locally**



# FRONT AXLE ASSEMBLY PARTS

## MODEL TLB 20D-25D

A-7D

NO	REQ'D	PART NO	DESCRIPTION
1	1	920203	FRONT AXLE ASSEMBLY 7/96
2	1	92T105	SHORT SPINDLE WELDMENT, RIGHT
3	2	920230	THRUST WASHER
4	4	920340	BUSHING, 1 3/4 X 1 1/2 LONG
5	4	401257	1/4 - 28 90° GREASE ZERK
6	2	92T104	SPINDLE SLEEVE CAP
7	2	**	3/8 - 16 NC X 1 GRADE 8 BOLT
8	2	**	3/8 SPLIT LOCK WASHER
9	2	**	1/2 - 13 NC NYLON INSERT NUT
10	2	**	1/2 - 13 NC X 1 1/4 GRADE 8 BOLT
11	1	920750	STEERING CYLINDER 1:10 TAPER
12	2	920217	INNER SEAL -162289 (RIGHT SIDE NOT SHOWN)
13	2	920212	INNER BEARING -JL69349 (RIGHT SIDE NOT SHOWN)
14	2	920215	INNER BEARING RACE (RIGHT SIDE NOT SHOWN)
15	2	620214	HUB W/RACES, BEARINGS, SEAL, CAP, STUDS
16	12	920202	STUD BOLT (ONLY ONE SHOWN)
17	2	920216	OUTER BEARING RACE (RIGHT SIDE NOT SHOWN)
18	2	920213	OUTER BEARING -LM67048 (RIGHT SIDE NOT SHOWN)
19	2	920208	7/8 WASHER (RIGHT SIDE NOT SHOWN)
20	2	920207	7/8 HEX CASTLE NUT (RIGHT SIDE NOT SHOWN)
21	2	920206	COTTER PIN (RIGHT SIDE NOT SHOWN)
22	2	920205	GREASE CAP (RIGHT SIDE NOT SHOWN)
23	4	FW028	1/2 USS HARDENED LOCK WASHER
24	4	**	3/32 X 3/4 COTTER PIN
25	4	**	7/16 - 20 NF HEX CASTLE NUT
26	4	920291	TIE ROD END (LARGE)
27	4	MFO85	14mm X 1.5 JAM NUT
28	2	92T103	TIE ROD STUD 14mm X 82.5
29	1	92T102	SHORT SPINDLE SLEEVE WELDMENT, LEFT
NS	2	920419	FRONT WHEEL ASSEMBLY TERRAIN (STANDARD)
		920319	(2) WHEEL 12 X 7 - 6 BOLT
		920313	(2) TIRE 23 X 8.5 - 12" SURE GRIP
NS	2	920416	FRONT WHEEL ASSEMBLY (OPTIONAL) includes (2) TITAN NHS MULTITRACK G/S 23.0 X 10.5-12
NS		92T047K	STEERING CYLINDER KIT
NS		920370	STEERING ARM BUSHING

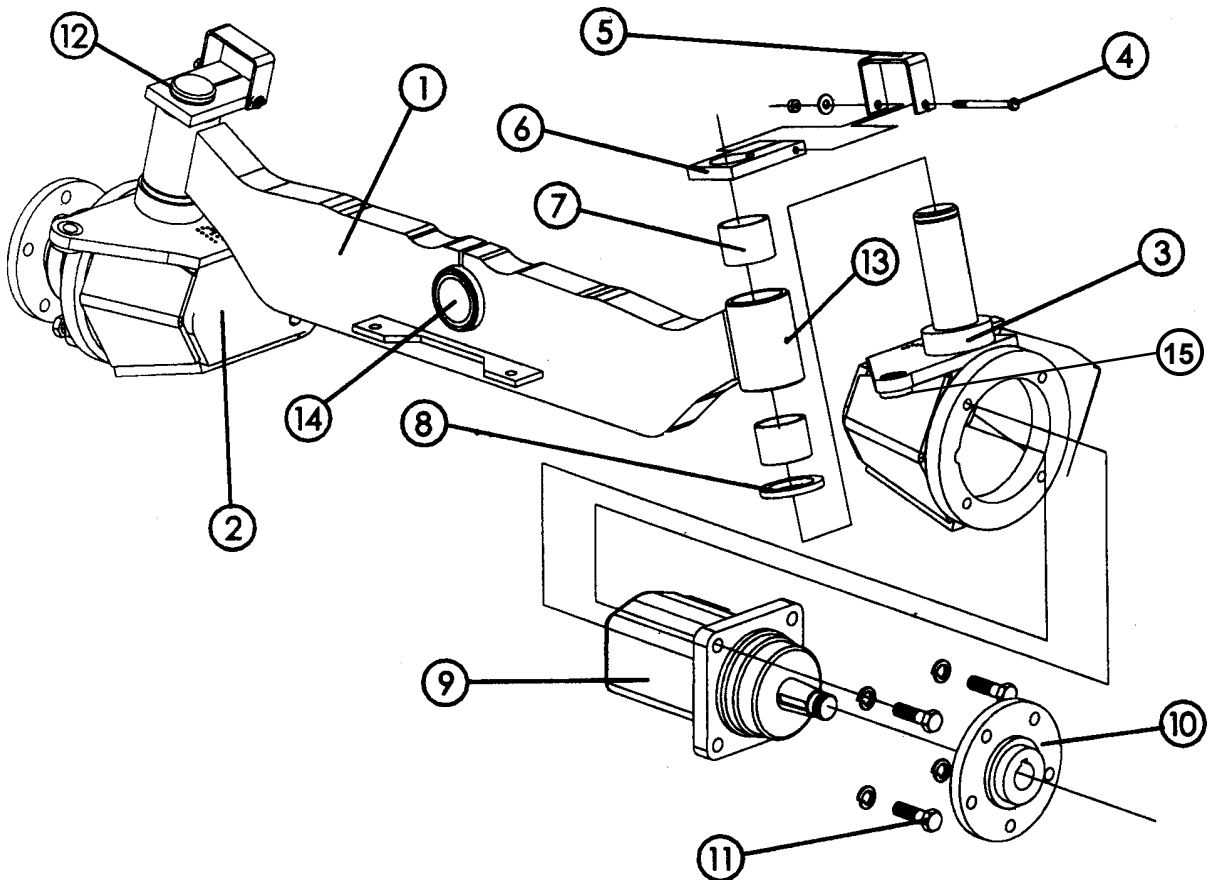
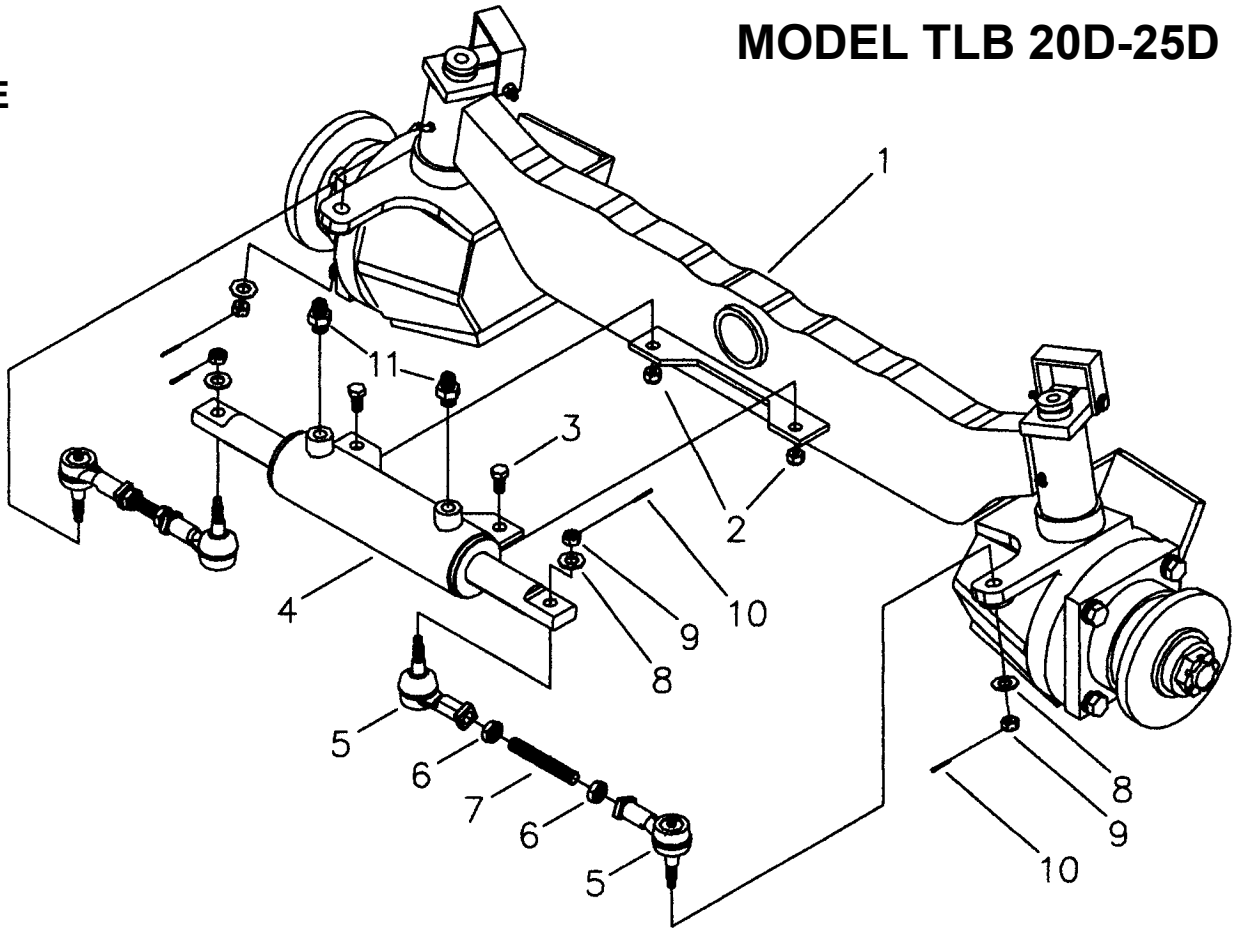
**LEGEND: NS = Not Shown**

**\*\* = Purchase locally**

# FRONT AXLE ASSEMBLY (FWA)

MODEL TLB 20D-25D

A-7E



# FRONT AXLE ASSEMBLY (FWA) PARTS

---

## MODEL TLB 20D-25D

NO	REQ'D	PART NO	DESCRIPTION	A-7F
1	1	920239	FRONT AXLE ASSEMBLY, FWD	
2	2	**	1/2-13 NC NYLON INSERT NUT	
3	2	**	1/2-13 NC x 1-1/4 GRADE 8 BOLT	
4	1	920750	STEERING CYLINDER 1:10 TAPER	
5	4	920291	TIE ROD END (LARGE)	
6	4	MF085	14mm X 1.5 JAM NUT	
7	4	921013	TIE ROD STUD	
8	4	FW028	1/2 USS HARDENED LOCKWASHER	
9	4	**	7/16-20 NF HEX CASTLE NUT	
10	4	**	3/32 X 3/4 COTTER PIN	
11	2	320076	ADAPTER 3/8 ORM - 3/8 JIC MALE 6F50X-S	

**LEGEND: NS = Not Shown**

**\*\* = Purchase locally**

---

NO	REQ'D	PART NO	DESCRIPTION
1	1	923228	AXLE ALLMAND BROS. WELDMENT
2	1	923229	SPINDLE ASSEMBLY RH ALLMAND BROS.
3	1	923230	SPINDLE ASSEMBLY LH ALLMAND BROS.
4	2	**	HHCS G5P 1/4-20 X 3-3/4
	2	**	WASHER, FLAT 1/4 USS PLTD
	2	**	WASHER, LOCK 1/4 PLTD
	2	**	NUT HEX 1/4-20 PLTD
5	2	923231	BRACKET HOSE LOOP
6	2	923232	CAP, SPINDLE
7	4	923233	BUSHING, CAST BRONZE
8	2	923234	SHIM, SPINDLE
9	2	923235	MOTOR, WHEEL CHARLYNN
10	2	923236	HUB, CAST 5 ON 4.5-2000 CHARLYNN
	10	**	BOLT, WHEEL 1/2-20 X 1-1/4 90D
11	8	**	HHCS G5P 1/2-13 X 1-3/4
	8	**	WASHER, LOCK 1/2 PLTD
12	2	923237	SNAP RING, EXTERNAL
13	3	923238	ZERK, GREASE STRAIGHT 1/4-28
14	1	923239	MOD-BUSHING SOLID BRONZE
15	1	921243	BUSHING, TIE ROD END

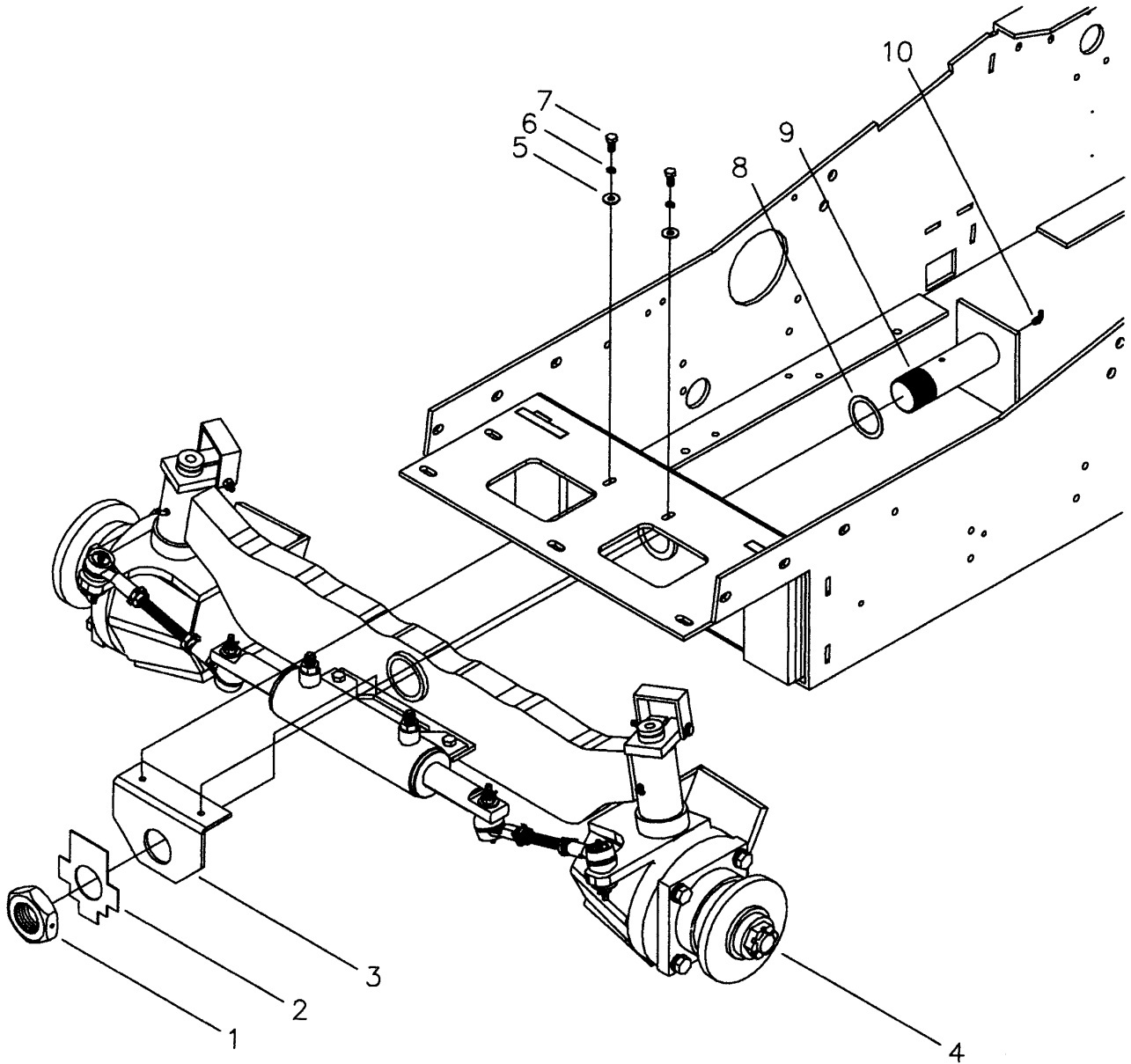
**LEGEND: NS = Not Shown**

**\*\* = Purchase locally**

# FRONT AXLE INSTALLATION (FWA)

## MODEL TLB 20D-25D

A-7G



# FRONT AXLE INSTALLATION (FWA) PARTS

---

## MODEL TLB 20D-25D

A-7H

NO	REQ'D	PART NO	DESCRIPTION
1	1	HN075	1 3/4 - 12 HEX JAM NUT
2	1	92T152	FRONT AXLE NUT PLATE
3	1	92T100	AXLE PIVOT BOLT BRACKET WELDMENT
4	1	920239	FRONT AXLE ASSEMBLY, FWD
5	2	**	5/16 FLAT WASHER
6	2	**	5/16 SPLIT LOCK WASHER
7	2	**	5/16 - 18 NC X 1 GRADE 5 BOLT
8	AR	FW063	1 3/4 I.D. X 2 1/4 O.D. MACHINE BUSHING 18 GA.
	AR	FW064	1 3/4 I.D. X 2 1/4 O.D. MACHINE BUSHING 14 GA.
	AR	FW065	1 3/4 I.D. X 2 1/4 O.D. MACHINE BUSHING 10 GA.
9	1	92TO02	PIVOT BOLT ASSEMBLY
10	5	401257	1/4 - 28 90° GREASE ZERK

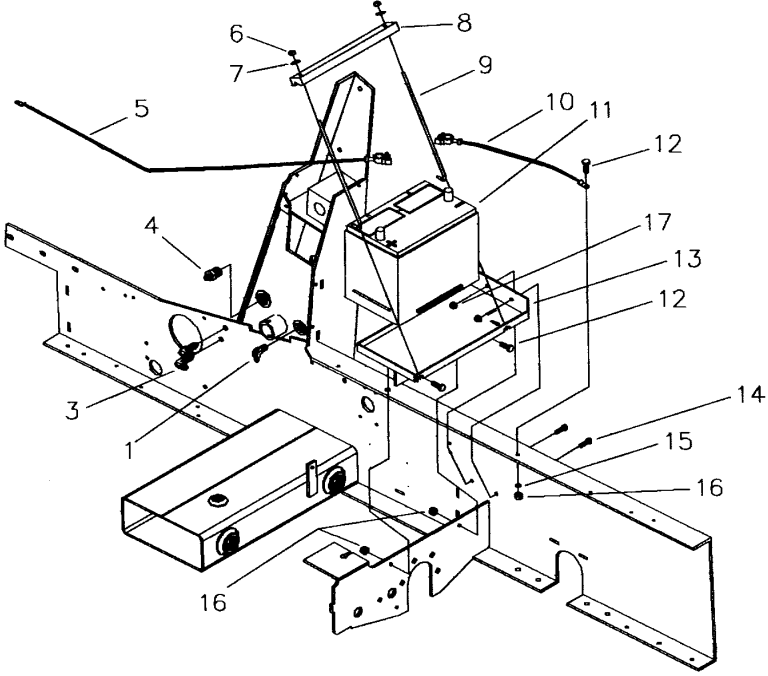
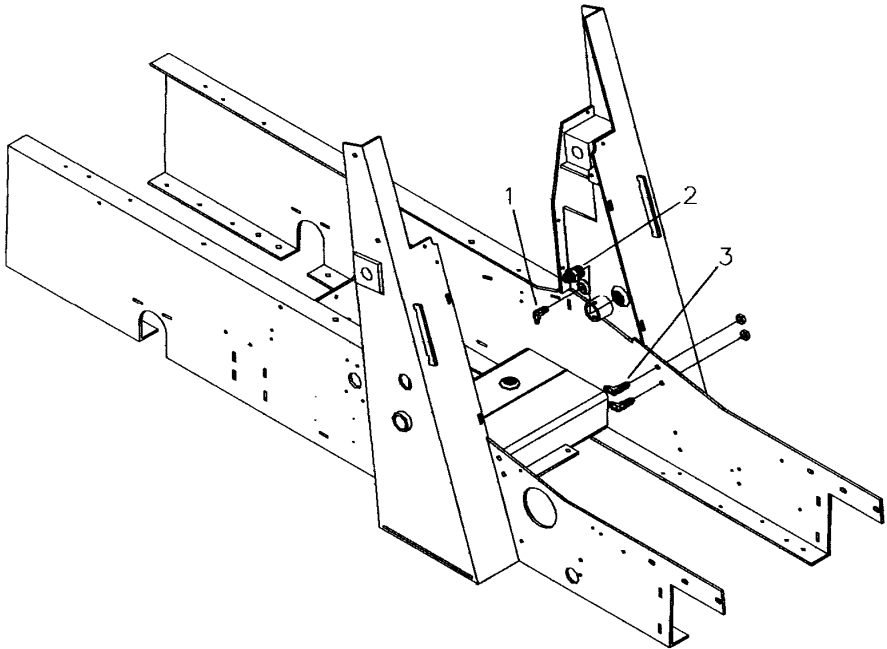
**LEGEND: NS = Not Shown**

**\*\* = Purchase locally**

# BATTERY TRAY AND FITTINGS ASSEMBLY

## MODEL TLB 20D-25D

A-8A





# BATTERY TRAY AND FITTINGS PARTS

---

## MODEL TLB 20D-25D

A-8B

NO	REQ'D	PART NO	DESCRIPTION
1	2	920677	ADAPTER MALE ELBOW 4-4CTX-S
2	1	920663	HYDRAULIC ADAPTER
3	4	920669	HYDRAULIC BULKHEAD ADAPTER, 90°
4	1	920666	HYDRAULIC ADAPTER
5	1	BC025	POSITIVE BATTERY CABLE, 46"
6	2	**	5/16-18 NC. NYLON INSERT NUT
7	2	**	5/16 FLAT WASHER
8	1	340017	NYLON BATTERY HOLD DOWN
9	2	433507	5/16 x 11" J-BOLT
10	1	713197	NEGATIVE BATTERY CABLE, 9-1/2"
11	1	**	12 VOLT BATTERY
12	3	**	3/8-16 NC x 1" GRADE 5 BOLT
13	1	92T014	BATTERY TRAY
14	2	**	5/16-18 NC x 1" GRADE 5 BOLT
15	1	**	5/16 INTERNAL TOOTH LOCKWASHER
16	3	**	3/8-16 NC KEPS NUT
17	2	**	5/19-18 NC KEPS NUT
NS	1	320550	SIGHT GLASS-SCREW IN
NS	1	920886	SIGHT GLASS-TUBE

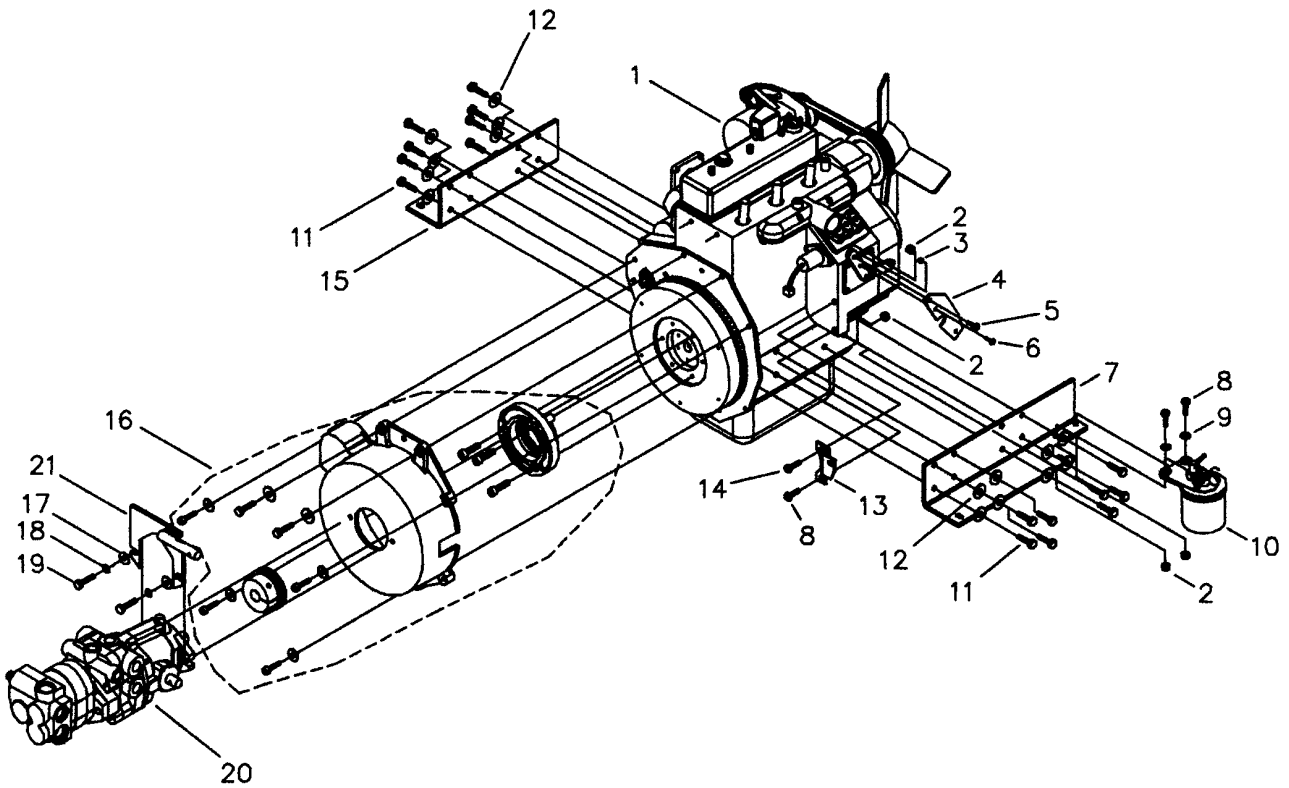
**LEGEND: NS = Not Shown**

**\*\* = Purchase locally**

# ENGINE / EXHAUST / HYDROSTAT ASSEMBLY

MODEL TLB 20D-25D

A-9A



# ENGINE / EXHAUST / HYDROSTAT PARTS

## MODEL TLB 20D-25D

A-9B

NO	REQ'D	PART NO	DESCRIPTION
1	1	920540	KUBOTA 20HP DIESEL ENGINE
	1	920539	KUBOTA 25HP DIESEL ENGINE
2	4	**	5/16-18 NC KEPS NUT
3	1	**	1/4-20 NC KEPS NUT
4	1	92T078	KUBOTA ENGINE THROTTLE LINKAGE ARM
5	1	**	5/16-18 NC x 3/4 GRADE 5 BOLT
6	1	**	1/4-20 INC x 3/4 GRADE 5 BOLT
7	1	92T067	LONG ENGINE MNT RH (SN 9703T03 TO PRESENT)
NS		92T141	SHORT ENGINE MNT RH (SN 9701T02 TO 9703T03)
8	2	**	5/16-18 NC x 1-1/4 GRADE 5 BOLT
9	2	**	1/4 FLAT WASHER
10	1	920745	SPIN-ON FUEL FILTER (SN 9703T03 TO PRESENT)
NS		650138	IN-LINE FUEL FILTER (SN 9701T02 TO 9703T03)
11	16	**	M10 x 1.125 x 30 mm GRADE 8.8 BOLT
12	16	**	3/8 FLAT WASHER (AFTER 9/16/97)
13	1	92T076	KUBOTA ENGINE THROTTLE CABLE BRACE
14	1		M10 x 1.125 x 20mm GRADE 8.8 BOLT
15	1	92T046	KUBOTA ENGINE MOUNT LEFT
16	1	921438	BELL HOUSING COUPLING
17	2	**	5/16 FLAT WASHER
18	2	**	3/8 INTERNAL TOOTH LOCKWASHER
19	2	**	3/8-16 NC x 1-3/4 GRADE 5 BOLT
20	1	920267	(1) HYDROSTAT ONLY
		920264	(1) GEAR PUMP
21	1	92T070	CENTER PIVOT BEARING WELDMENT
NS	1	H0018	5/16 FUEL LINE, 22"
NS	1	H0018	5/16 FUEL LINE, 16"
NS	1	H0018	5/16 FUEL LINE, 72"
NS	1	H0005	5/16 RETURN LINE, 72"

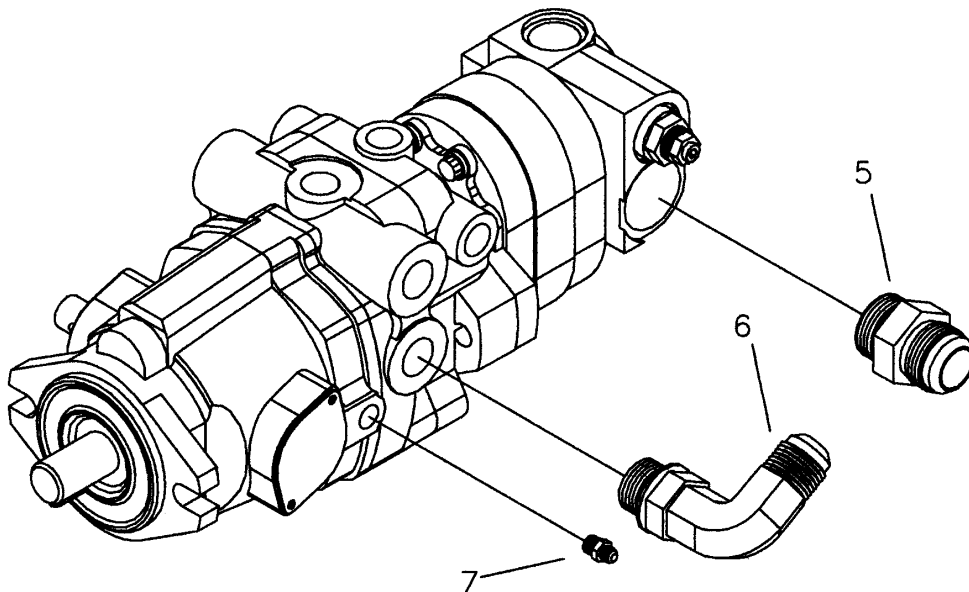
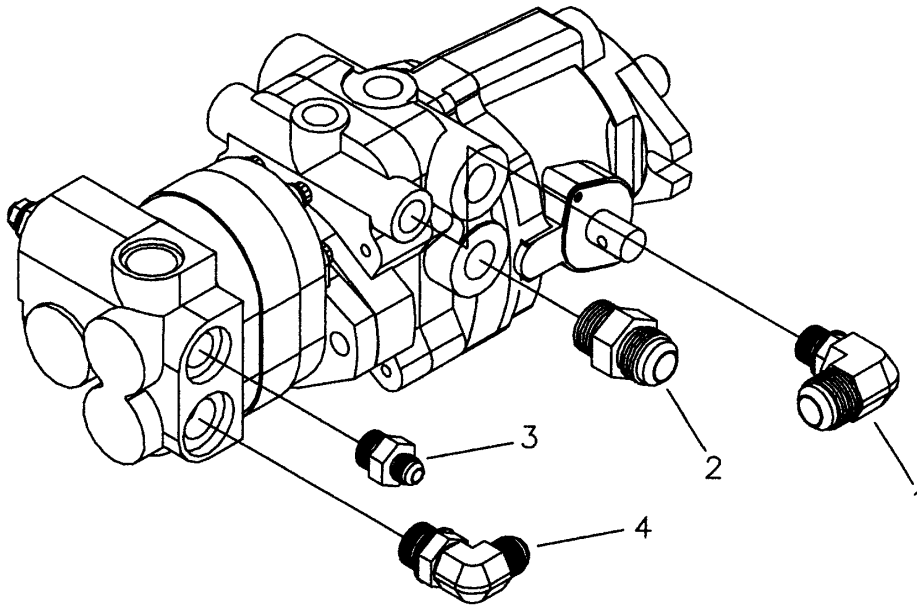
**LEGEND: NS = Not Shown**

**\*\* = Purchase locally**

# HYDROSTAT AND FITTINGS ASSEMBLY

MODEL TLB 20D-25D

A-9C



# HYDROSTAT AND FITTINGS PARTS

---

## MODEL TLB 20D-25D

A-9D

NO	REQ'D	PART NO	DESCRIPTION
1	1	920680	STRAIGHT THREAD ELBOW, 12-8 C50X-S
2	1	920682	ADAPTER, STRAIGHT THREAD, 12 F50X-S
3	1	920665	ADAPTER, MALE CONNECTOR, 6-8 F50X-S
4	1	920831	ADAPTER, ELBOW CONNECTOR, 8-10 C50X-S
5	1	920683	STRAIGHT THREAD CONNECTOR, 16 F50X-S
6	1	920679	STRAIGHT THREAD ELBOW, 12 C50X-S
7	1	920678	STRAIGHT THREAD CONNECTOR, 4-6 F50X-S

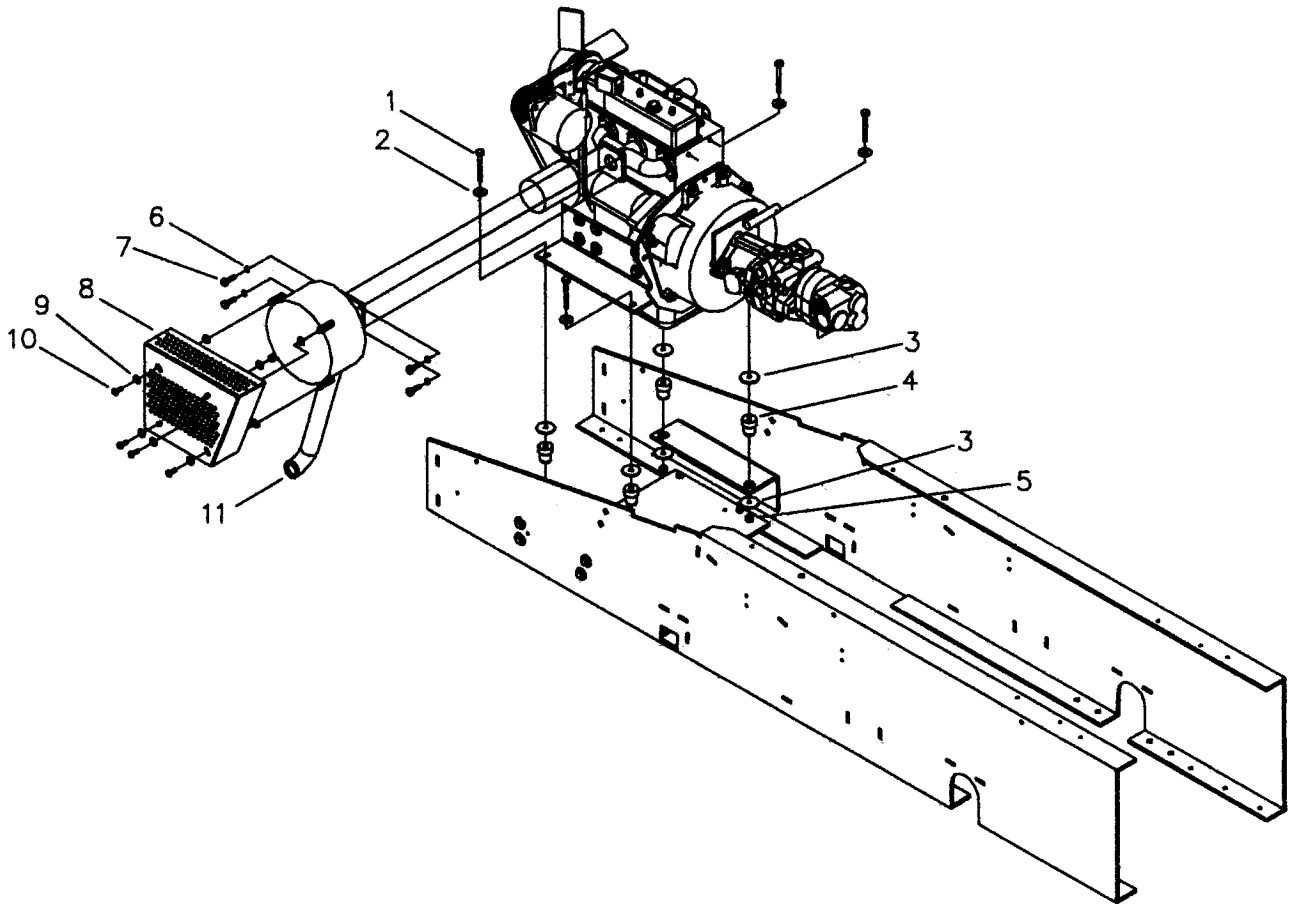
**LEGEND: NS = Not Shown**

**\*\* = Purchase locally**

# KUBOTA ENGINE, FRAME AND MUFFLER

## MODEL TLB 20D-25D

A-10A



# **KUBOTA ENGINE, FRAME AND MUFFLER PARTS**

---

## **MODEL TLB 20D-25D**

**A-10B**

<b>NO</b>	<b>REQ'D</b>	<b>PART NO</b>	<b>DESCRIPTION</b>
1	4		3/8-16 NC x 2-3/4 GRADE 5 BOLT
2	4		3/8 FLAT WASHER
3	8	640565	ENGINE MOUNT WASHER
4	4	640500	ENGINE SHOCK MOUNT
5	4		3/8-16 NC NYLON INSERT NUT
6	4		5/16 SPLIT LOCKWASHER
7	4		M8 X 1.25 X 20mm GRADE 8.8 BOLT
8	1	92T079	KUBOTA ENGINE MUFFLER HEAT SHIELD
9	4		1/4 FLAT WASHER
10	4		1/4-20 NC x 3/4 GRADE 5 BOLT
11	1	920550	KUBOTA MUFFLER
NS		650234	MUFFLER GASKET
NS		352133	MANIFOLD
NS		352135	MANIFOLD GASKET

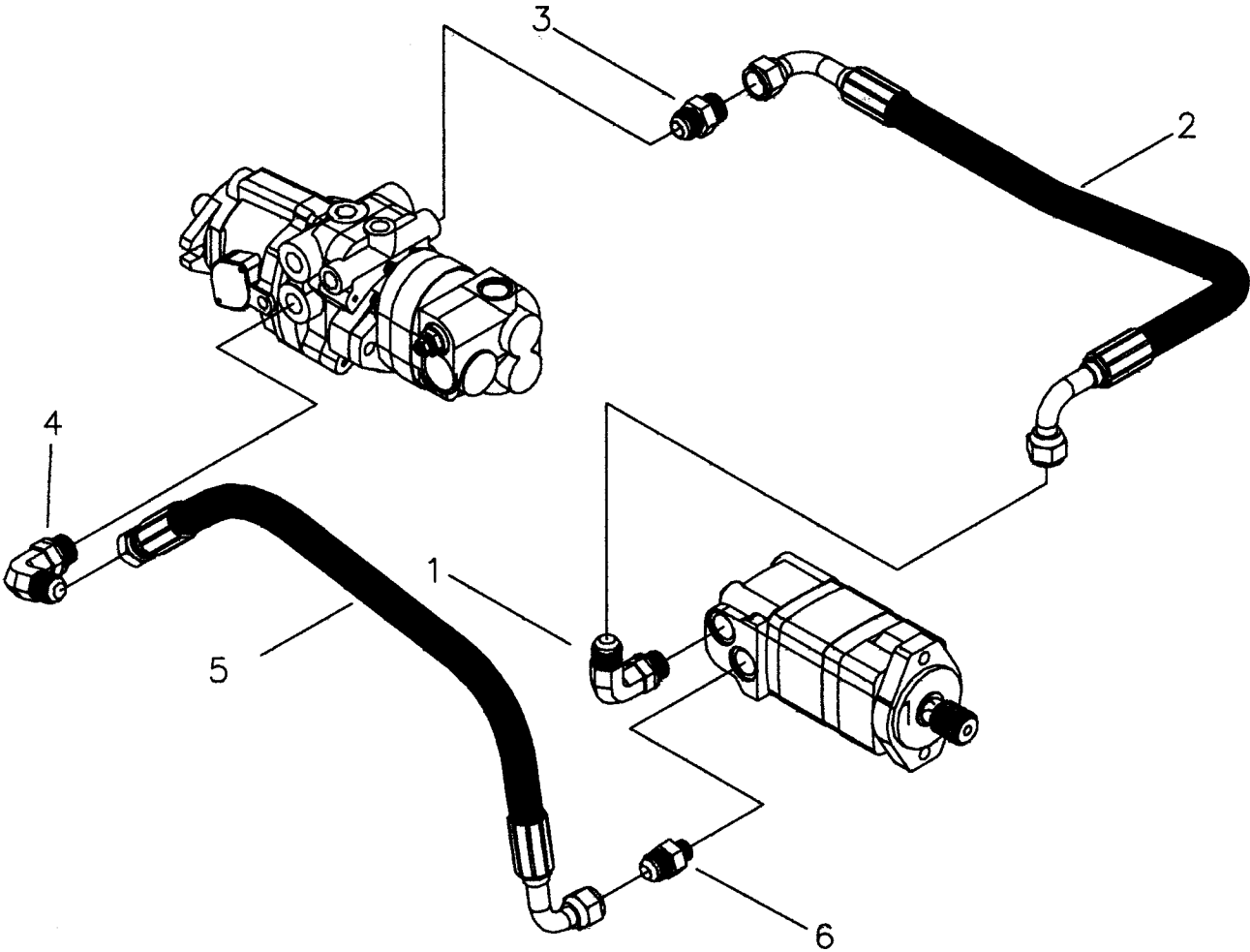
**LEGEND: NS = Not Shown**

**\*\* = Purchase locally**

# DRIVE MOTOR HYDRAULIC HOSE ASSEMBLY

MODEL TLB 20D-25D

A-11A





# DRIVE MOTOR HYDRAULIC HOSE PARTS

---

## MODEL TLB 20D-25D

A-11B

NO	REQ'D	PART NO	DESCRIPTION
1	1	920675	STRAIGHT THREAD ELBOW 12-10 C50X-S
2	1	920724	HOSE ASSEMBLY 3/4 X 16.5" 12FJX90M - 12FJX90M - 255°
3	1	920682	ADAPTER STRAIGHT THREAD 12F50X-S
4	1	920679	STRAIGHT THREAD ELBOW 12 C50X-S
5	1	920717	HOSE ASSEMBLY 3/4 X 16" 12C12M-12FJX-12FJX90S- 16
6	1	920674	STRAIGHT THREAD CONNECTOR 12-10 F50X-S

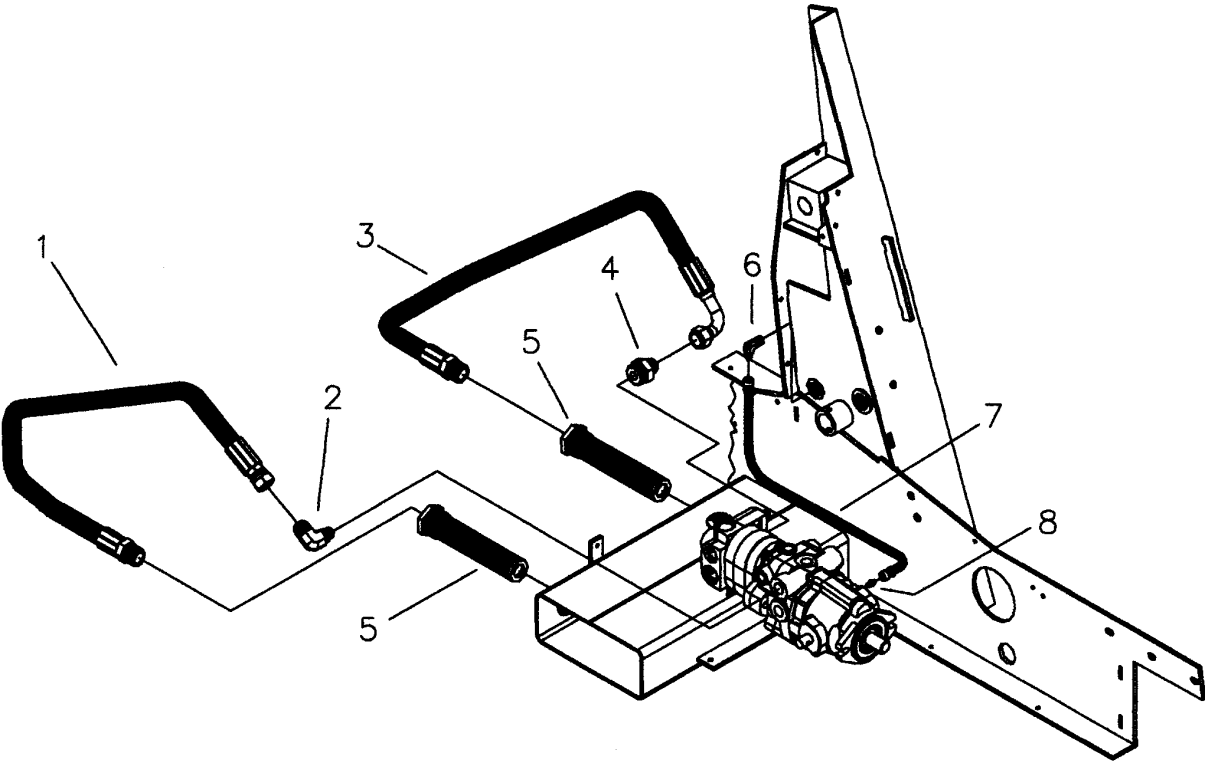
**LEGEND: NS = Not Shown**

**\*\* = Purchase locally**

# HYDROSTAT HOSE ROUTING ASSEMBLY

MODEL TLB 20D-25D

A-11C



# HYDROSTAT HOSE ROUTING ASSEMBLY PARTS

---

## MODEL TLB 20D-25D

A-11D

NO	REQ'D	PART NO	DESCRIPTION
1	1	920722	HOSE ASSEMBLY 3/4 X 26 16MP - 12FJX
2	1	920680	STRAIGHT THREAD ELBOW 12-8 C50X-S
3	1	920728	HOSE ASSEMBLY 1 X 23 16MP - 16FJX90M
4	1	920683	STRAIGHT THREAD CONNECTOR 16 F50X-S
5	2	920325	FLOW EZY SUMP STRAINER
6	1	920677	ADAPTER MALE ELBOW 4-4CTX-S
7	1	H0015	1/4" FUEL LINE, YELLOW, 16-1/2"
8	1	920678	STRAIGHT THREAD CONNECTOR 4-6 F50X-S

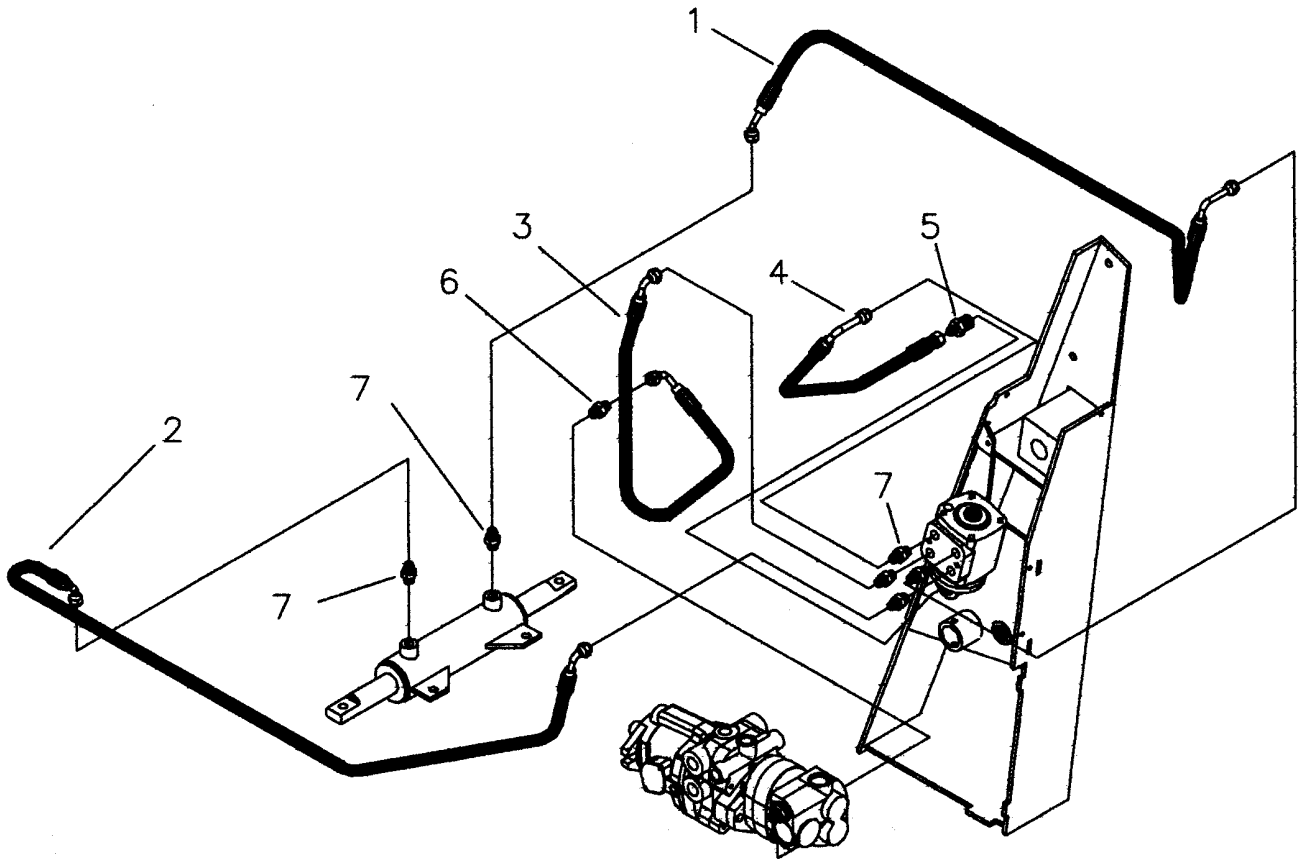
**LEGEND: NS = Not Shown**

**\*\* = Purchase locally**

# STEERING HYDRAULIC ASSEMBLY

MODEL TLB 20D-25D

A-11E



# STEERING HYDRAULIC ASSEMBLY PARTS

---

## MODEL TLB 20D-25D

A-11F

NO	REQ'D	PART NO	DESCRIPTION
1	1	920618	HOSE ASSEMBLY 3/8 X 74 6FJX90L - 6FJX45M - 180°
2	1	920617	HOSE ASSEMBLY 3/8 X 62-1/2 6FJX90S - 6FJX45M - 270°
3	1	920725	HOSE ASSEMBLY 3/8 X 31 6FJX90S - 6FJX90S - 330°
4	1	920619	HOSE ASSEMBLY 3/8 X 20-1/2 6FJX - 6FJX90S - 25°
5	1	920666	ADAPTER MALE CONNECTOR 6-8 FTX-S
6	1	920665	ADAPTER MALE CONNECTOR 6-8 F50X-S
7	6	320076	ADAPTER 3/8 ORM - 3/8 JIC MALE 6F50X-S

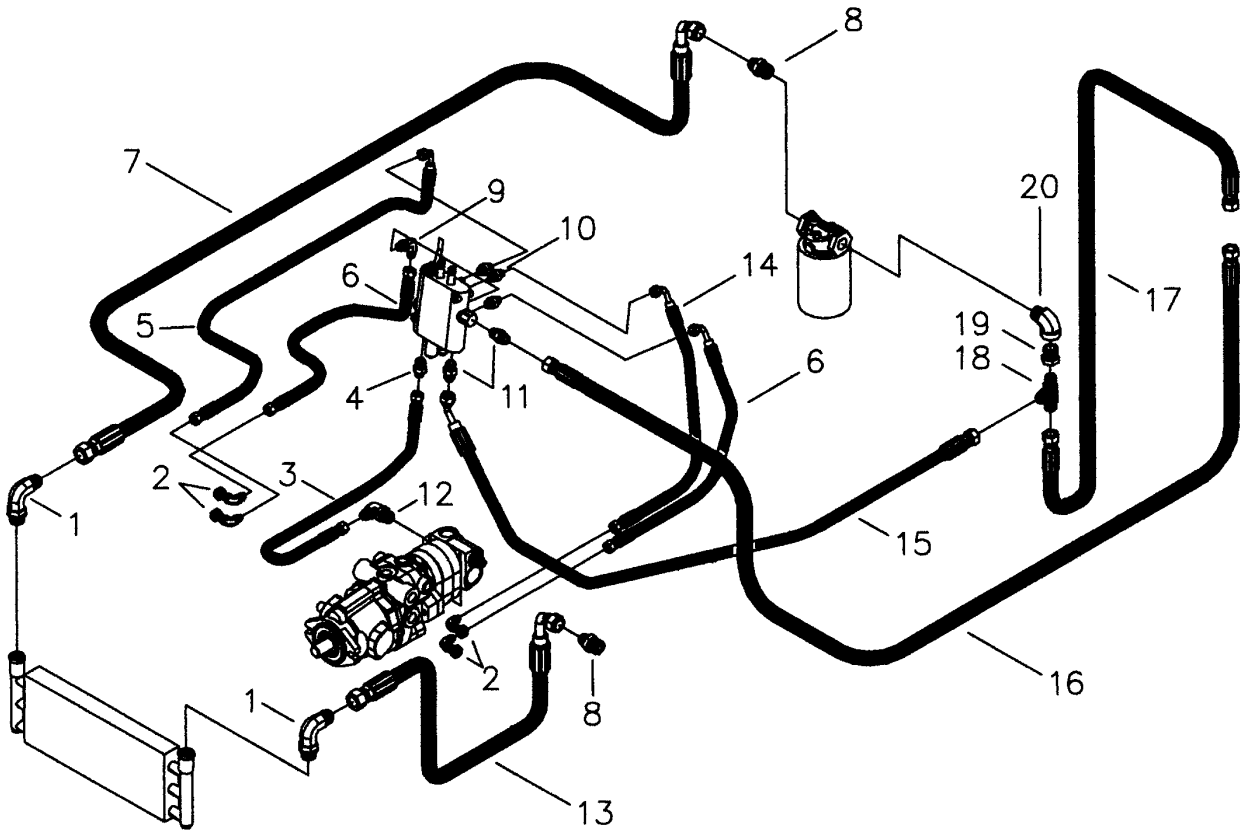
**LEGEND: NS = Not Shown**

**\*\* = Purchase locally**

# COOLER/LOADER VALVE HYDRAULIC ASSY

MODEL TLB 20D-25D

A-11G



# COOLER/LOADER VALVE HYDRAULIC PARTS

## MODEL TLB 20D-25D

A-11H

NO	REQ'D	PART NO	DESCRIPTION
1	2	920608	ADAPTER OIL COOLER
2	4	920669	BULKHEAD 900 6WETX - WLN - S
3	1	920691	HOSE ASSEMBLY 1/2 X 22 8FJX - 8FJK
4	1	920678	ADAPTER MALE CONNECTOR 6-8 F50X-S (REPLACES 920665)
5	1	920690	HOSE ASSEMBLY 3/8 X 25 1/2 8FJX - 8FJX
6	2	920686	HOSE ASSEMBLY 3/8 X 30" 6FJX - 6FJX90S
7	1	920606	HOSE ASSEMBLY 5/8 X 92" 10FJX - 10FJX90S
8	2	920663	ADAPTER MALE CONNECTOR 10 - 12 FTX-S
9	1	920692	ADAPTER 90° 6C50X-S
10	3	320076	ADAPTER 3/8 ORM - 3/8 JIC MALE 6 F50X-S
11	2	920698	ADAPTER 8F50X-S
12	1	920893	ADAPTER MALE CONNECTOR, 8-10 C50X-S (REPLACES 920818)
13	1	920607	HOSE ASSEMBLY 5/8 X 49 1/2 10FJX90S - 10FJX
14	1	920688	HOSE ASSEMBLY 3/8 X 28" 6FJX - 6FJX90S
15	1	920689	HOSE ASSEMBLY 1/2 X 47" 8FJX - 8FJX45M
16	1	920684	HOSE ASSEMBLY 1/2 X 84" 8FJX - 8FJX
17	1	920646	HOSE ASSEMBLY 1/2 X 56" 8FJX - 8FJX
18	1	920671	ADAPTER MALE RUN TEE 8-8-8 RTX-S
19	1	920664	ADAPTER PIPE THREAD REDUCER 3/4 - 1/2 PTR-S
20	1	920670	ADAPTER STREET ELBOW 3/4 CD-S
NS		920330	OIL COOLER

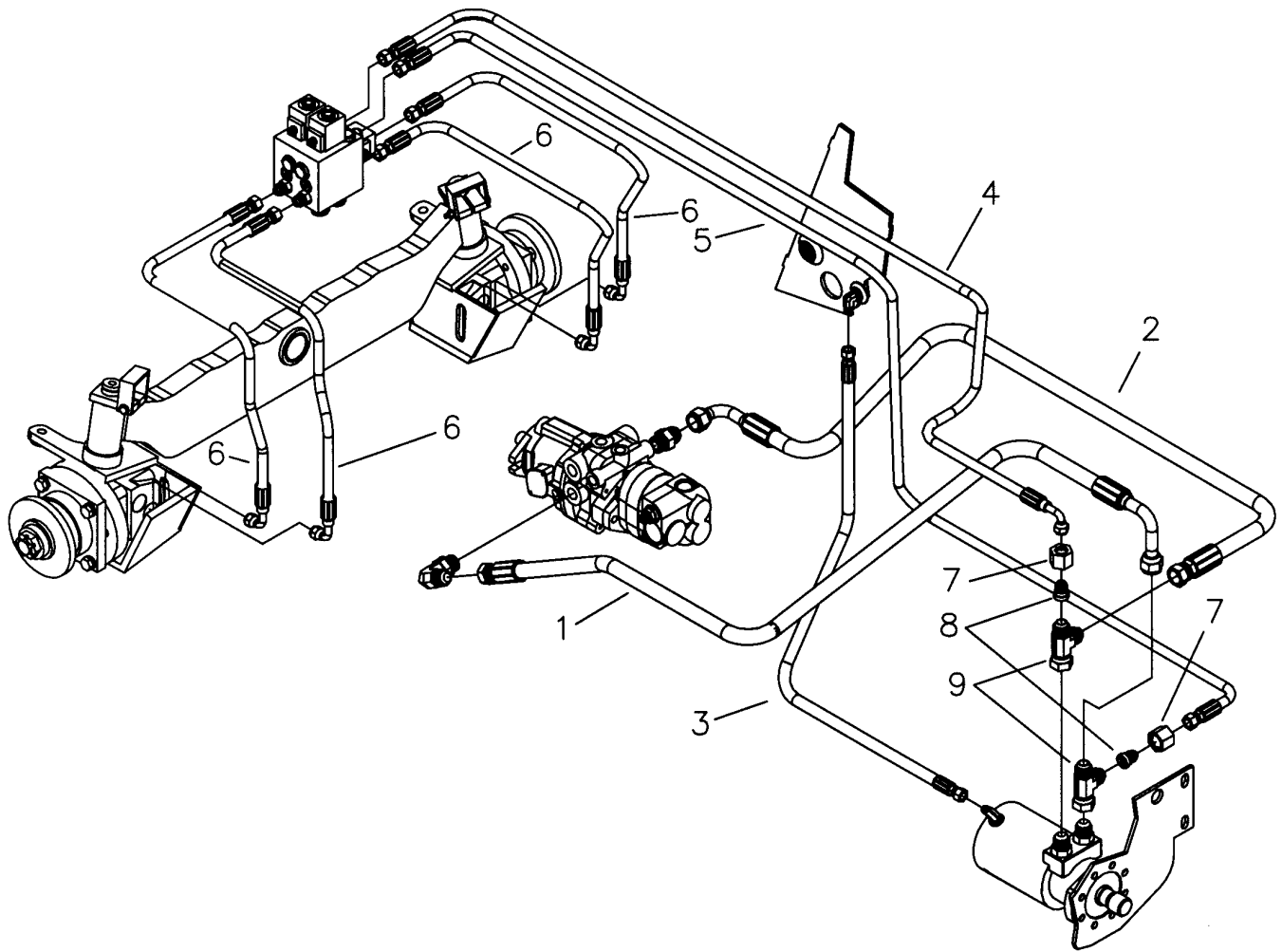
**LEGEND: NS = Not Shown**

**\*\* = Purchase locally**

# DRIVE MOTOR HYDRAULIC ASSY

## MODEL TLB 20D-25D

A-11I





# DRIVE MOTOR HYDRAULIC ASSEMBLY PARTS

---

## MODEL TLB 20D-25D

A-11J

NO	REQ'D	PART NO	DESCRIPTION
1	1	920718	HOSE ASSEMBLY 3/4 X 23" 12FJX - 12FJX90L
2	1	920717	HOSE ASSEMBLY 3/4 X 16" 12FJX90S - 12FJX
		920723	HOSE FOR EATON DRIVE MOTOR (BEFORE SN 0002T360022)
3	1	920716	HOSE ASSEMBLY 3/8 X 17" 6FJX - 6FJX
		920724	HOSE FOR EATON DRIVE MOTOR (BEFORE SN 0002T360022)
4	1	920719	HOSE ASSEMBLY 3/8 X 72" 8FJX - 8FJX90S
5	1	920715	HOSE ASSEMBLY 3/8 X 60" 8FJX - 8FJX
6	4		HOSE ASSEMBLY, SUPPLIED BY VENDOR
7	2	BF100	TUBE END NUT
8	2	BF099	TUBE END REDUCER, 12-8TRTX
9	2	920782	SWIVEL NUT RUN TEE, 12R6X

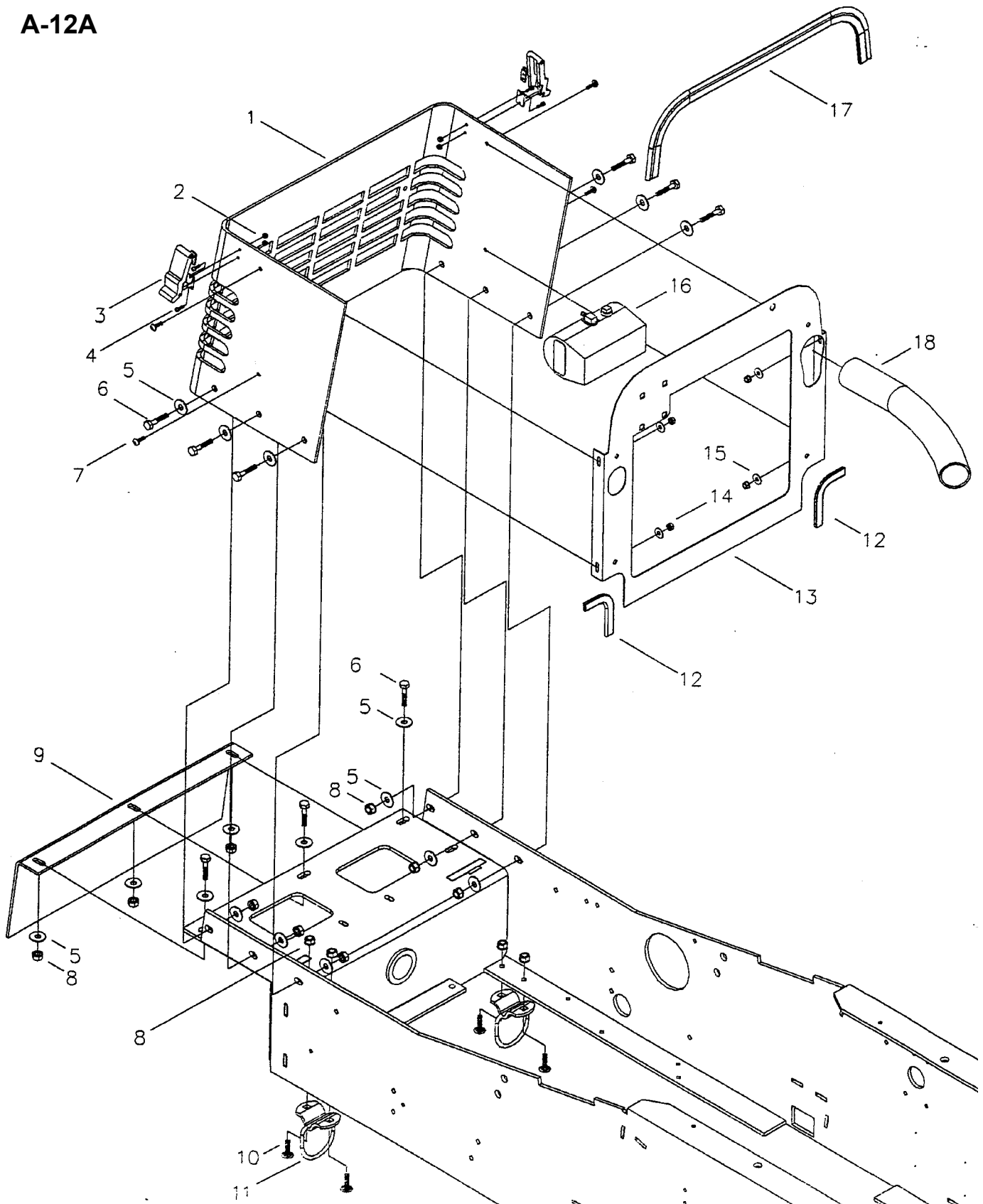
**LEGEND: NS = Not Shown**

**\*\* = Purchase locally**

# NOSE ASSEMBLY

## MODEL TLB 20D-25D

A-12A



# NOSE ASSEMBLY PARTS

## MODEL TLB 20D-25D

A-12B

NO	REQ'D	PART NO	DESCRIPTION
1	1	92T126	NOSE
2	4	044003	#8-32 NC KEPS NUT
3	2	920234	SOUTHCO SOFT LATCH
4	4	041013	#8-32 NC x 1/2 SCREW
5	12	047015	3/8 FLAT WASHER
6	6	046120	3/8-16 NC x 1 1/2 GRADE 5 BOLT
7	4	041050	1/4-20 NC x 3/4 SCREW
8	9	044036	3/8-16 KEPS NUT
9	1	92T062	ROCK GUARD
10	4	053028	3/8-16 NC x 1 GRADE 5 CARRIAGE BOLT
11	2	920020	TIE DOWN HOOK
12	2	030051	TRIM LOK 4 1/2"
13	1	92T147	RADIATOR/HOOD BRACE (SN 9703T23 TO PRESENT)
NS		92T133	RADIATOR/HOOD BRACE (SN 9701T02TO 9703T23)
14	4	044018	1/4-20 NC NYLON INSERT NUT
15	4	047005	1/4 FLAT WASHER
16	1	920472	COOLAND OVERFLOW TANK
17	1	030053	TRIM LOC 26" (SN 9704T13 TO PRESENT)
NS		030052	TRIM LOC END BEAD 28" (SN 9701T02 TO 9704T13)
18	1	081025	AIR CLEANER INTAKE HOSE 28"

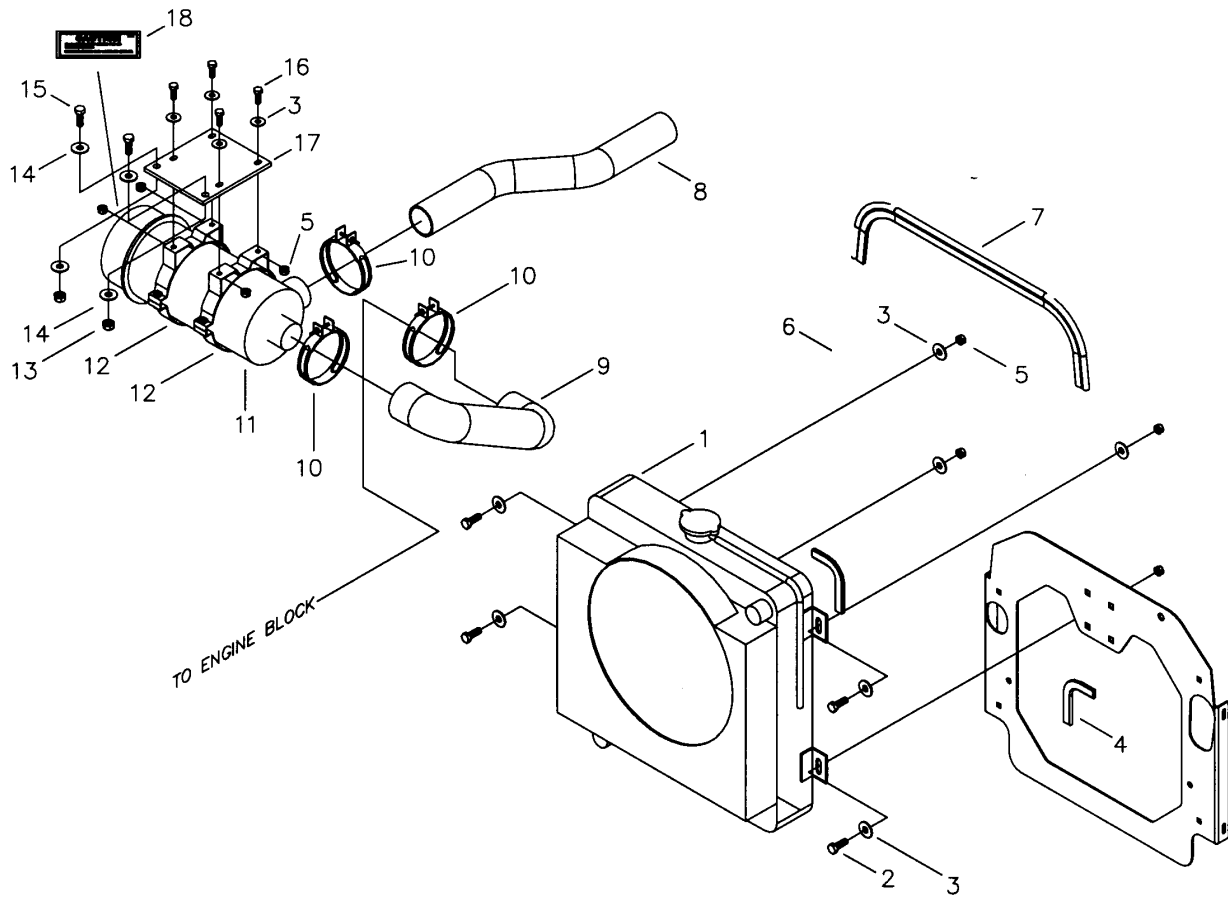
**LEGEND: NS = Not Shown**

**\*\* = Purchase locally**

# RADIATOR AND AIR CLEANER ASSEMBLY

MODEL TLB 20D-25D

A-12C



# RADIATOR AND AIR CLEANER PARTS

## MODEL TLB 20D-25D

A-12D

NO	REQ'D	PART NO	DESCRIPTION
1	1	920551A	RADIATOR (SN 9703T23 TO PRESENT)
NS	1	920551	RADIATOR, TLB (SN 9701T02 TO 9703T03)
2	4	**	5/16-18 NC x 1-1/4 GRADE 5 BOLT
3	8	**	5/16 FLAT WASHER
4	2	WP051	TRIM LOK, 6"
5	8	**	5/16 - 18 NC KEPS NUT
6	1	92T147	RADIATOR / HOOD BRACE SN 9703T23 TO PRESENT)
NS		92T133	RADIATOR / HOOD BRACE RN 9701T02 TO SN 9703T03)
7	1	WP053	TRIM LOK, 28" (SN 9703T23 TO PRESENT)
NS		WP052	TRIM LOK, END BEAD, 28" (SN 9701T02 TO 9704T13)
8	1	H0025	2" VENT HOSE, 28"
9	1	640273	AIR INTAKE HOSE
10	3	HD038	#32 HOSE CLAMP
11	1	340034	AIR CLEANER
12	2	340038	AIR CLEANER BAND
13	4	**	3/8-16 NC NYLON INSERT NUT
14	4	**	3/8 FLAT WASHER
15	4	**	3/8-16 NC x 1-1/4 GRADE 5 BOLT
16	4	**	5/16-18 NC x 3/4 GRADE 5 BOLT
17	1	92T145	AIR CLEANER MOUNT (SN 9703T23 TO PRESENT)
18	1	DD 310	DECAL (AIR CLEANER SERVICE)

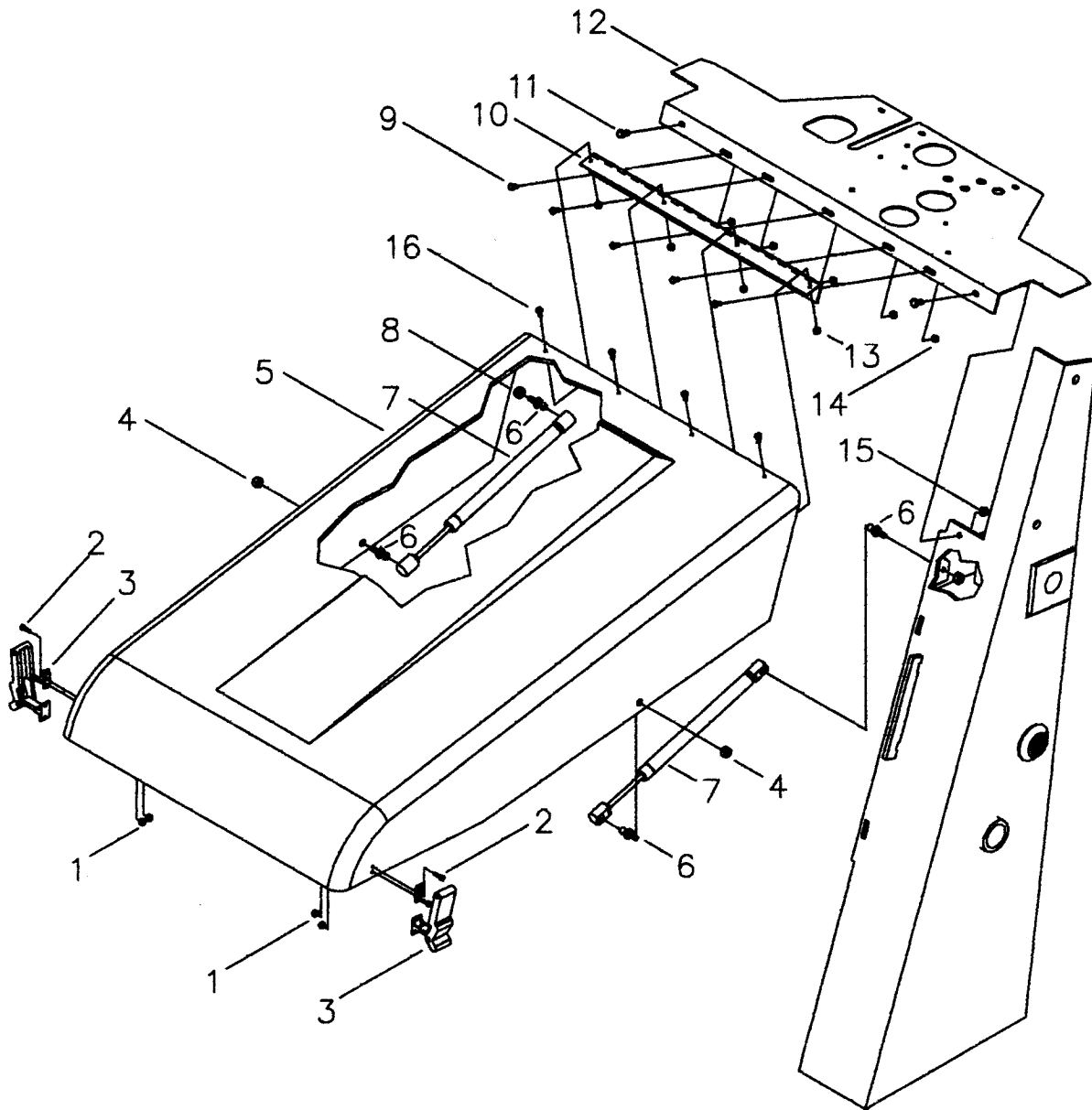
**LEGEND: NS = Not Shown**

**\*\* = Purchase locally**

# HOOD/INSTRUMENT PANEL ASSEMBLY

MODEL TLB 20D-25D

A-13A



# HOOD/INSTRUMENT PANEL PARTS

---

## MODEL TLB 20D-25D

A-13B

NO	REQ'D	PART NO	DESCRIPTION
1	4	**	#6 - 32 NC KEPS NUT
2	4	**	#6 - 32 NC X 3/8 SCREW
3	2	920234	SOUTHCO SOFT LATCH
4	2	**	5/16 - 18 NC ACORN NUT
5	1	10-000061-05	FIBERGLASS HOOD ONLY
		921026	HOOD WITH STRIPE
6	4	330437	BALL STUD
7	2	920231	GAS SPRING, 35 LB (SN 9704TO7 TO PRESENT)
NS	2	920229	GAS SPRING, 30 LB (SN 9701TO1 TO SN 9704TO7)
8	2	**	5/16 -18 NC KEPS NUT
9	5	**	#10 -24 NC X 1/2 SCREW
10	1	92T138	HOOD HINGE STAINLESS STEEL
11	2	**	1/4 - 20 NC X 3/4 SCREW
12	1	92T135	INSTRUMENT PANEL (PANEL ONLY)
13	4	**	#10 - 24 NC NYLON INSERT NUT
14	5	**	#10 - 24 NC KEPS NUT
15	2	**	1/4 - 20 NC KEPS NUT
16	4	**	#10 - 24 NC X 3/4 SCREW

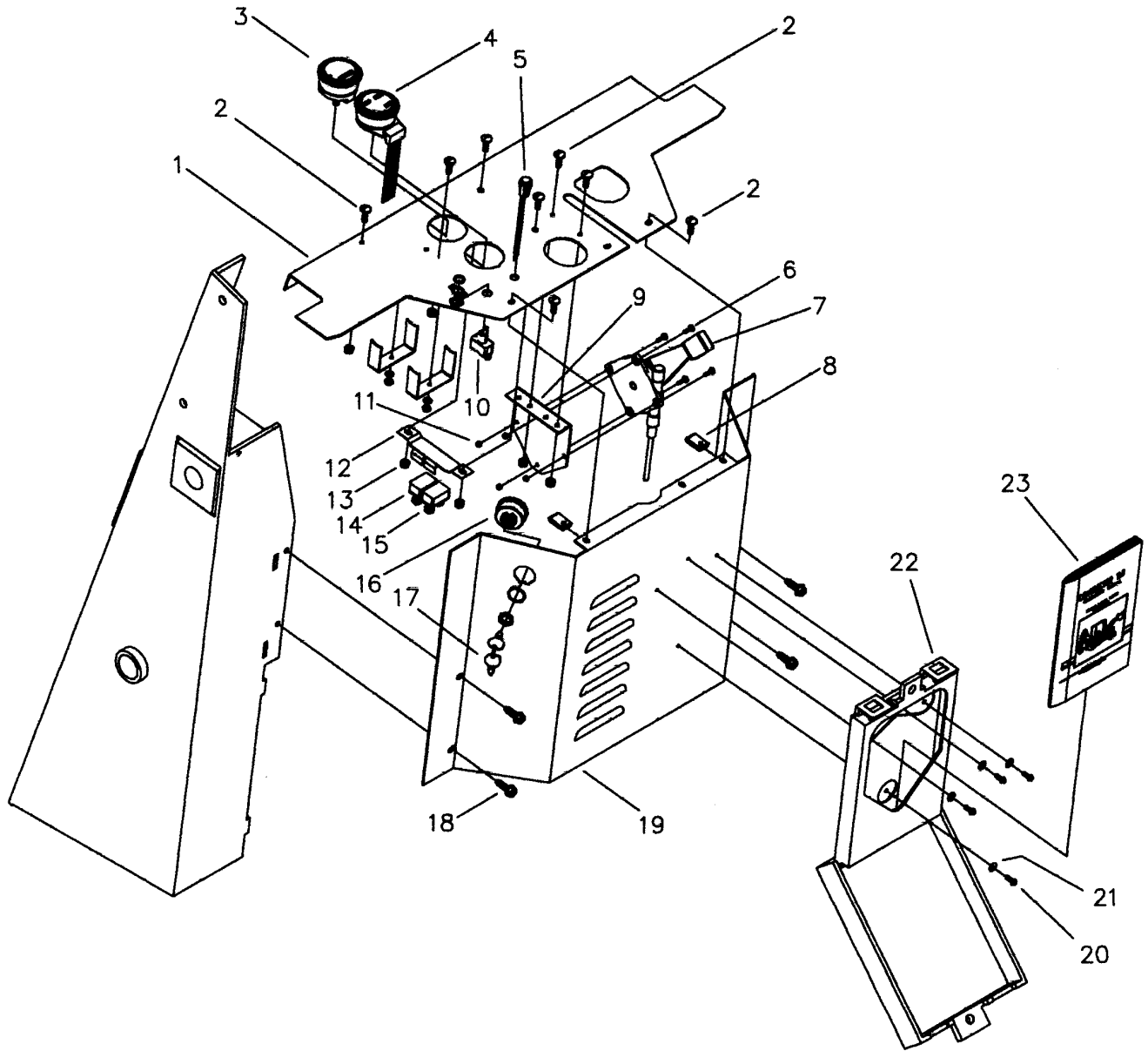
**LEGEND: NS = Not Shown**

**\*\* = Purchase locally**

# INSTRUMENT PANEL ASSEMBLY

MODEL TLB 20D-25D

A-13C





# INSTRUMENT PANEL ASSEMBLY PARTS

## MODEL TLB 20D-25D

A-13D

NO	REQ'D	PART NO	DESCRIPTION
1	1	92T135	INSTRUMENT PANEL (PANEL ONLY)
2	8	**	1/4 - 20 NC X 3/4 SCREW
3	1	340014	HOUR METER
4	1	920462	OIL PRESSURE/ WATER TEMP/ BATTERY GAGE
5	1	@@@	GLOW PLUG LIGHT
6	4	***	#10 - 24 NC X 3/4 SCREW
7	1	921005	THROTTLE CABLE LEVER KIT
8	2	HD216	TINNERMAN FASTENER
9	1	92T073	THROTTLE CONTROL MOUNT BRACKET
10	1	340009	SPST TOGGLE SWITCH (W/ WORK LIGHTS)
11	4	***	#10 - 24 NC NYLON INSERT NUT
12	1	640163	CIRCUIT BREAKER MOUNTING BRACKET
13	6	***	1/4 - 20 NC KEPS NUT
14	1	620087	30 AMP CIRCUIT BREAKER
15	1	920441	15 AMP CIRCUIT BREAKER (W/ WORK LIGHTS)
16	1	920475	KEY SWITCH W/ 2 KEYS
17	1	920474	IGNITION KEY (EXTRA)
18	4	***	5/16 -18 NC X 3/4 SELF-TAPPING SCREW
19	1	92T101	STEERING COLUMN COVER PANEL
NS	1	920465	KUBOTA WIRING HARNESS
NS	3	***	5/8 CUSHION CLAMP
20	4	***	#10-24 NC x 1/2 SCREW
21	4	***	#10 FLAT WASHER
22	1	920010	PLASTIC MANUAL BOX
23	1	920008	1/2 SCALE OPERATOR'S MANUAL
NS	1	920007	OPERATOR'S AND PARTS MANUAL
NS	36"	WP053	TRIM LOCK (ON LOWER EDGE OF INSTRUMENT PANEL)

**LEGEND: NS = Not Shown**

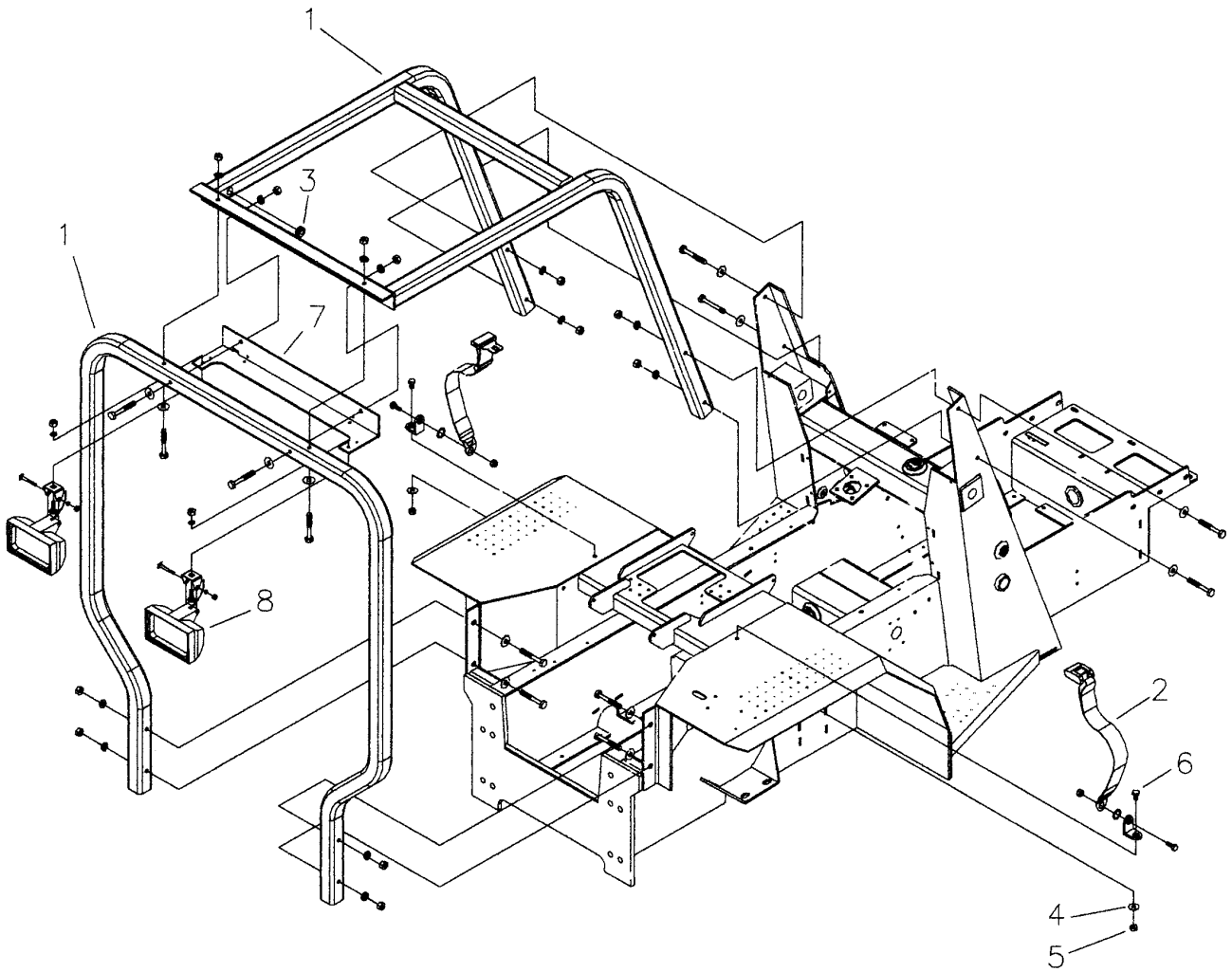
**\*\* = Purchase locally**

**@@@ = See Kubota Dealer**

# ROPS KIT ASSEMBLY

## MODEL TLB 20D-25D

A-14A



# ROPS KIT ASSEMBLY PARTS

---

## MODEL TLB 20D-25D

A-14B

NO	REQ'D	PART NO	DESCRIPTION
1	1	92T011	ROPS KIT (1) FRONT POST ASSEMBLY (1) REAR POST ASSEMBLY
2	1	920122A	2" LAP BELT KIT
3	1	711028	7/8 O.D. x 9/16 I.D. RUBBER GROMMET
4	2	**	7/16 FLAT WASHER
5	2	**	7/16 - 20 NF NYLON INSERT NUT
6	2	**	7/17 - 20 NF x 1 GRADE 5 BOLT
7	1	92T213	TLB LIGHT BRACKET (OPTIONAL)
8	2	920445	TRACTOR IMPLEMENT LIGHT (OPTIONAL)
NS		920123A	3" LAP BELT KIT (OPTIONAL)
NS	1	920427	LIGHT PLATE, 16/3 WIRE HARNESS

IN THE EVENT OF A ROLL OVER OR R.O.P.S. DAMAGE,  
THE COMPLETE R.O.P.S. SHOULD BE REPLACED INCLUDING THE HARDWARE.

IF INDIVIDUAL HARDWARE COMPONENTS NEED TO BE REPLACED, THEY CAN BE SOURCED  
LOCALLY PROVIDING THEY ARE EQUIVALENT SIZE AND GRADE.

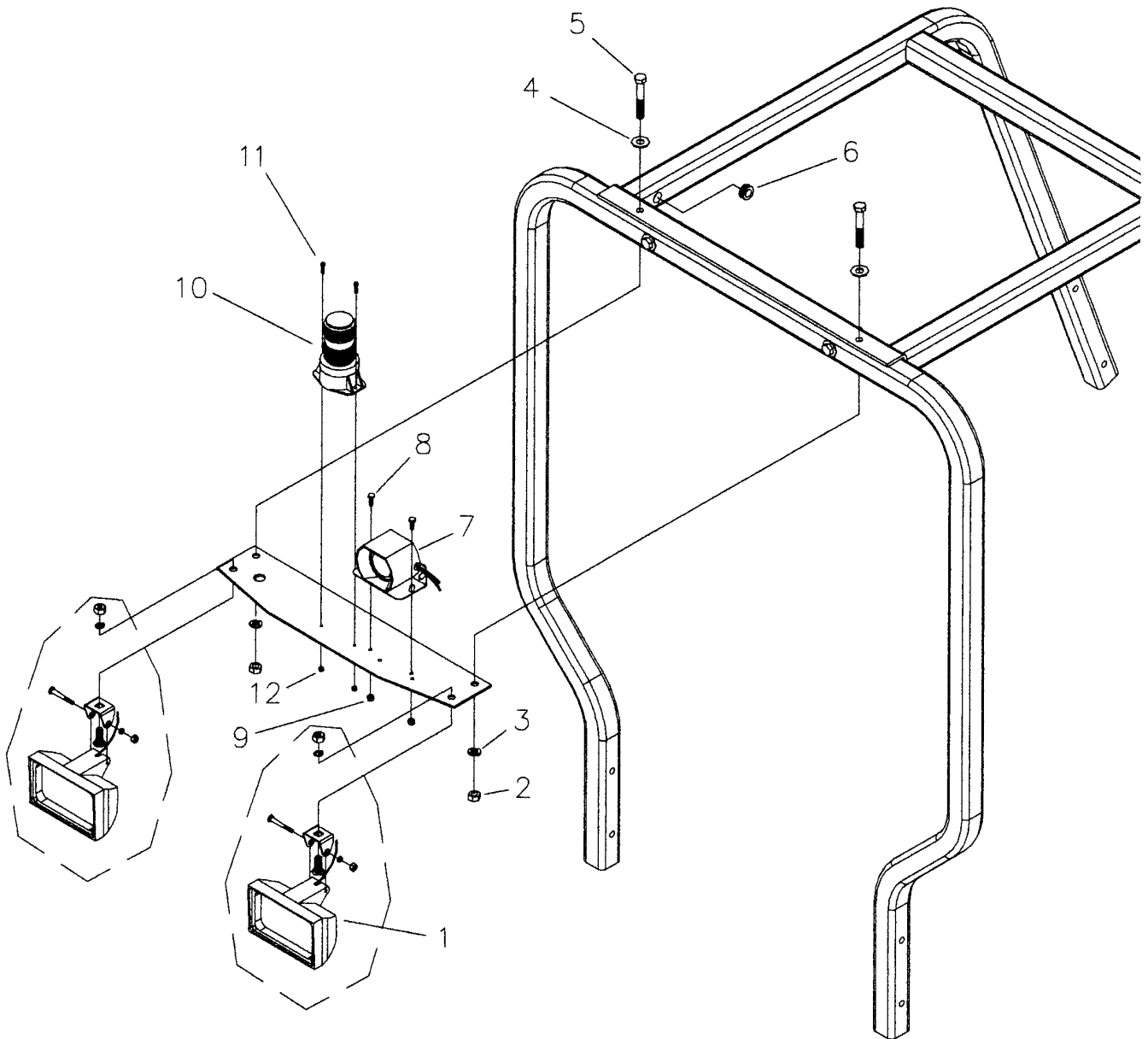
UNDER NO CIRCUMSTANCES SHOULD THE R.O.P.S. EVER BE MODIFIED OR ALTERED. IF THIS  
HAPPENS, CERTIFICATION WILL BE VOID.

**LEGEND: NS = Not Shown**  
**\*\* = Purchase locally**

# OPTIONAL BACKUP, STROBE AND WORKLIGHTS

MODEL TLB 20D-25D

A-14C



# BACKUP, STROBE AND WORKLIGHT PARTS

---

## MODEL TLB 20D-25D

A-14D

NO	REQ'D	PART NO	DESCRIPTION
1	2	920445	TRACTOR IMPLEMENT LIGHT KIT
2	2	**	1/2-13 NC HEX NUT
3	2	**	1/2 SPLIT LOCKWASHER
4	2	**	1/2 FLAT WASHER
5	2	**	1/2-13 NC x 3 1 /4 GRADE 5 BOLT
6	1	711028	RUBBER GROMMET 7/8 O.D. x 9/16 LD,
7	1	920432	BACK-UP ALARM
8	2	**	1/4-20 NC x 3/4 GRADE 5 BOLT
9	2	**	1/4-20 NC KEPS NUT
10	1	920442	STROBE LIGHT, 12 VOLT
11	2	**	#10-24 NC x 3/4 SCREW
12	2	**	#10-24 NC KEPS NUT
13	1	92T097	LIGHT MOUNTING BRACKET
NS	1	920427	LIGHT PLATE WIRING HARNESS
NS		920476	WORK LIGHT UPDATE KIT
NS		920477	BACK-UP ALARM UPDATE KIT
NS		920478	STROBE LIGHT UPDATE KIT

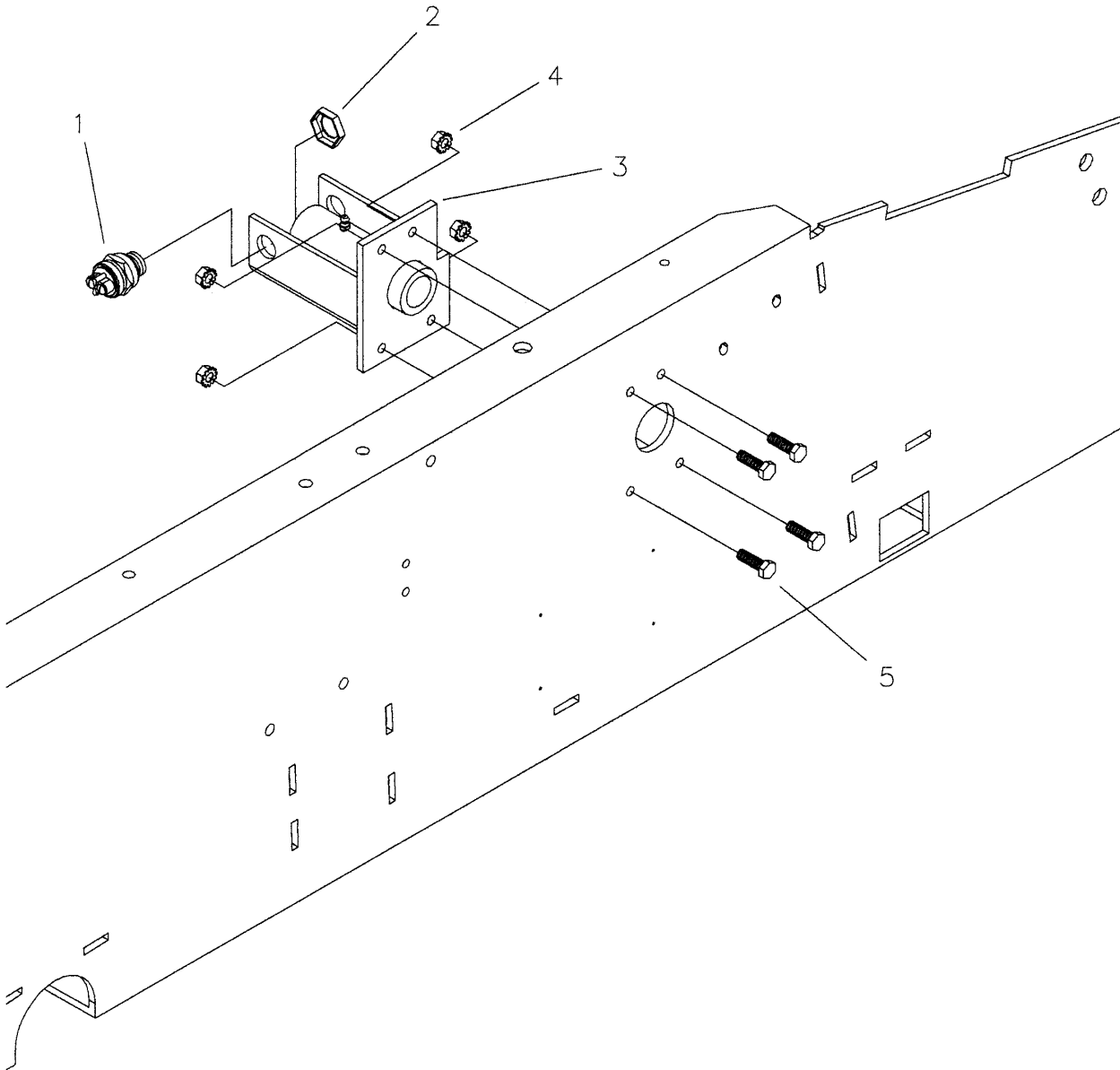
**LEGEND: NS = Not Shown**

**\*\* = Purchase locally**

# OPTIONAL BACKUP ALARM SWITCH ASSEMBLY

MODEL TLB 20D-25D

A-14E



# OPTIONAL BACKUP ALARM SWITCH PARTS

---

## MODEL TLB 20D-25D

A-14F

NO	REQ'D	PART NO	DESCRIPTION
1	1	920431	BACK-UP ALARM SWITCH
2	1	HN065	3/4 x 16 PALNUT
3	1	92T055	RIGHT FOOT PEDAL MOUNT WELDMENT
4	4	**	5/16-18 NC KEPS NUT
5	4	**	5/16-18 NC x 1 GRADE 5 BOLT
NS	1	920428	BACK-UP ALARM SWITCH WIRING HARNESS

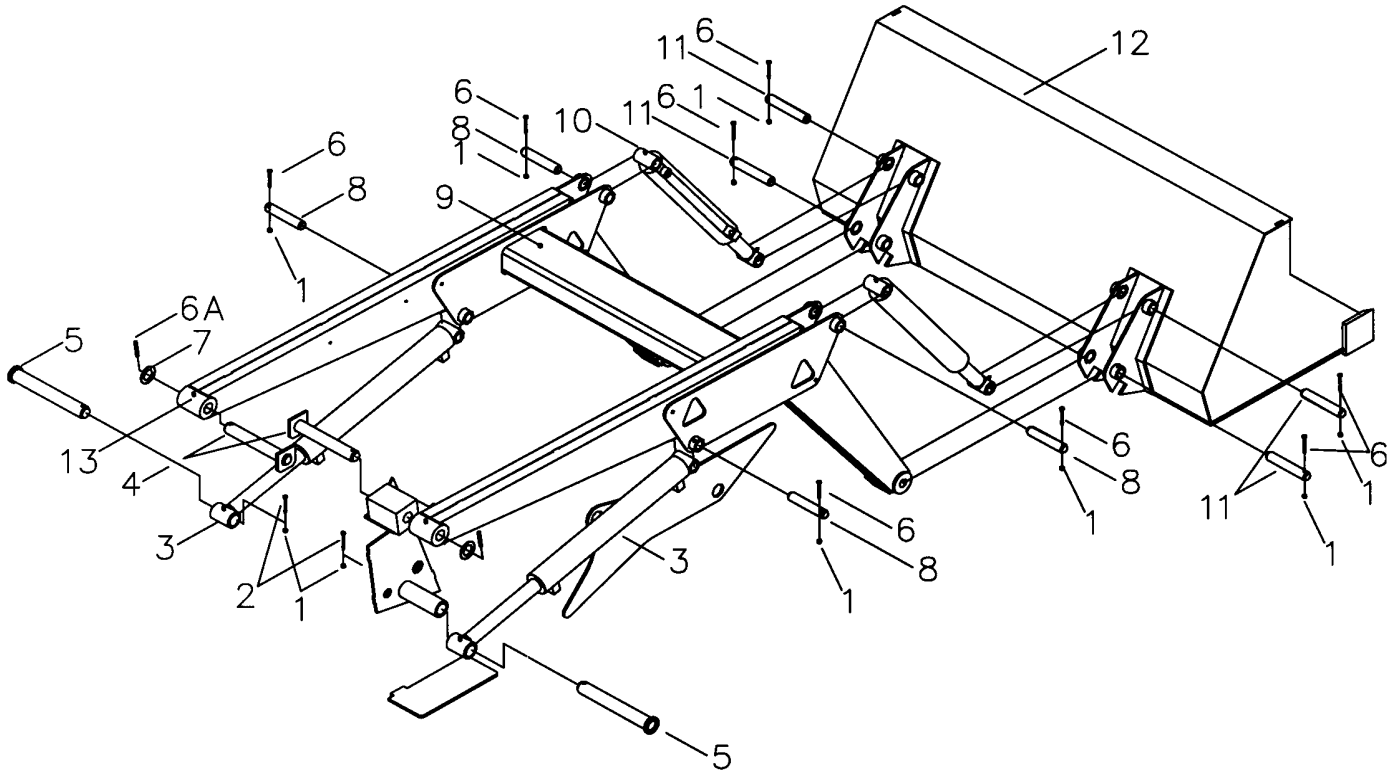
**LEGEND: NS = Not Shown**

**\*\* = Purchase locally**

# LOADER/BUCKET ASSEMBLY

MODEL TLB 20D-25D

A-15A





# LOADER/BUCKET ASSEMBLY PARTS

## MODEL TLB 20D-25D

A-15B

NO	REQ'D	PART NO	DESCRIPTION
1	10	**	1/4 - 20 NC NYLON INSERT NUT
2	2	**	1/4 - 20 NC X 2 1/2 GRADE 5 BOLT
3	2	92L006	LOADER LIFT CYLINDER
4	2	92L001S	LOADER PIVOT PIN WELDMENT
5	2	92L002	CYLINDER PIVOT PIN
6	8	**	1/4 -20 X 2" GRADE 5 BOLT
6A	2	HD149	5/16 X 2 SPIRAL ROLL PIN
7	2	92T006	UPPER LOADER PIN WASHER
8	4	92L001 M	LOADER PIN
9	1	92L001	LOADER ARM ASSEMBLY
10	2	92L007	BUCKET CYLINDER
11	4	92LO04M	BUCKET PIN
12	1	92L004	BUCKET ASSEMBLY
13	4	401256	1/4 - 28 NF GREASE ZERK, STRAIGHT
NS		92L006K	LOADER CYLINDER SEAL KIT (BUCKET & LOADER)
NS		92L007G	LOADER CYLINDER GLAND (BUCKET & LOADER)
NS		92L007P	LOADER CYLINDER PISTON (BUCKET & LOADER)
NS		92L007R	LOADER CYLINDER ROD (BUCKET)
NS		92L006R	LOADER CYLINDER ROD (LOADER)

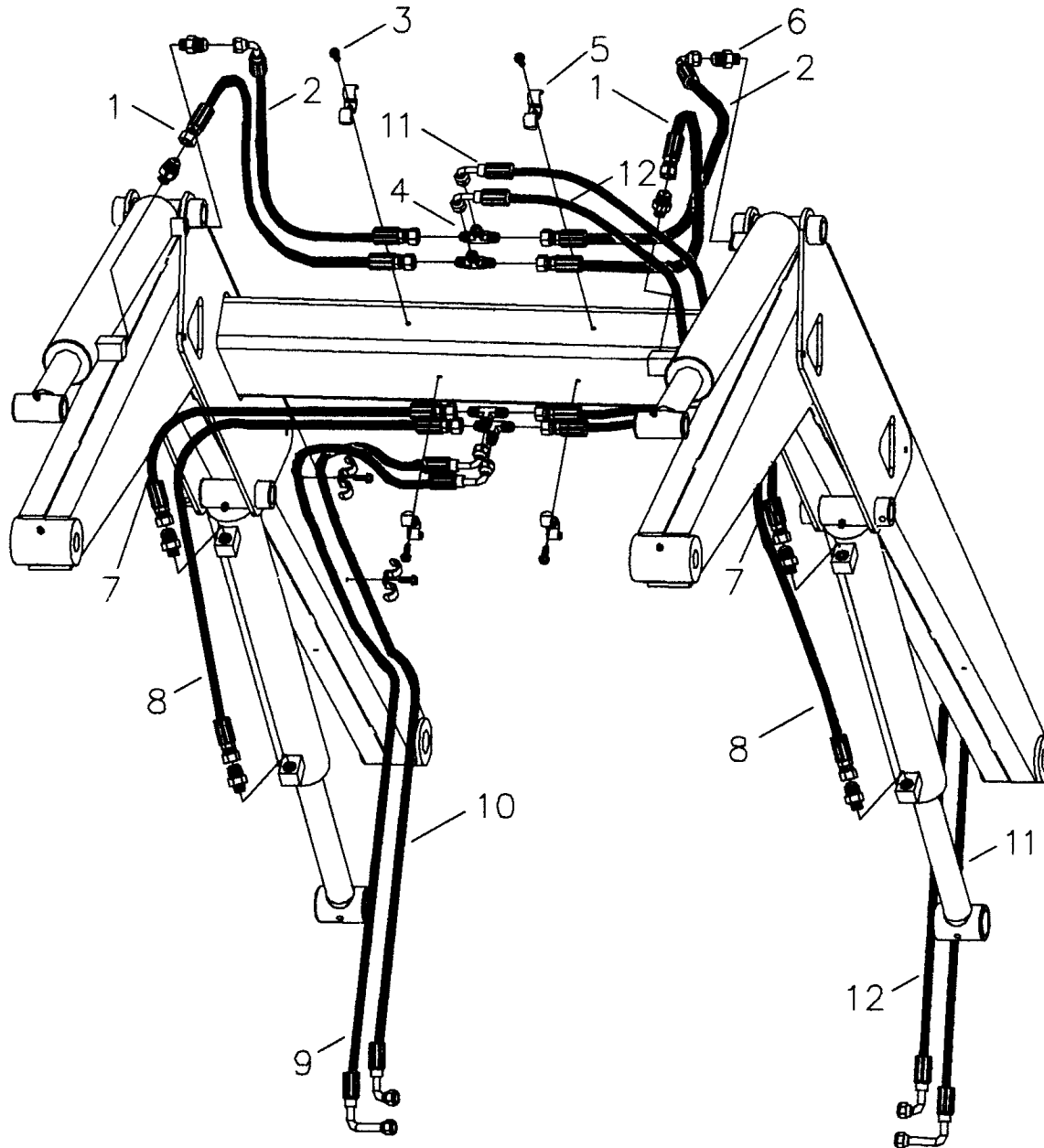
**LEGEND: NS = Not Shown**

**\*\* = Purchase locally**

# LOADER HYDRAULIC ASSEMBLY

MODEL TLB 20D-25D

A-15C



# LOADER HYDRAULIC ASSEMBLY PARTS

---

## MODEL TLB 20D-25D

A-15D

NO	REQ'D	PART NO	DESCRIPTION
1	2	920625A	HOSE ASSEMBLY 3/8 X 34 1/4 6FJX - 6FJX
2	2	920627	HOSE ASSEMBLY 3/8 X 19 1/2 6FJX - 6FJX90S
3	8	**	1/4 -20 NC X 3/4 SELF-TAPPING SCREW
4	4	920668	HYDRAULIC ADAPTER 6JTX-S
5	8	920605	TUBE CLIP
6	8	320076	HYDRAULIC ADAPTER 6 ORM - 6 JICM
7	2	920623	HOSE ASSEMBLY 3/8 X 23 3/4 6FJX - 6FJX
8	2	920621	HOSE ASSEMBLY 3/8 X 41 6FJX - 6FJX
9	1	920636	HOSE ASSEMBLY 3/8 X 78 1/2 6FJX90L-6FJX90S-308°
10	1	920637	HOSE ASSEMBLY 3/8 X 78 6FJX90S - 6FJX90S - 300°
11	1	920638	HOSE ASSEMBLY 3/8 X 84 6FJX90L - 6FJX90S - 285°
12	1	920637	HOSE ASSEMBLY 3/8 X 81 6FJX90S - 6FJX90S - 305°
NS		92L006K	LOADER CYLINDER SEAL KIT (BUCKET & LOADER)

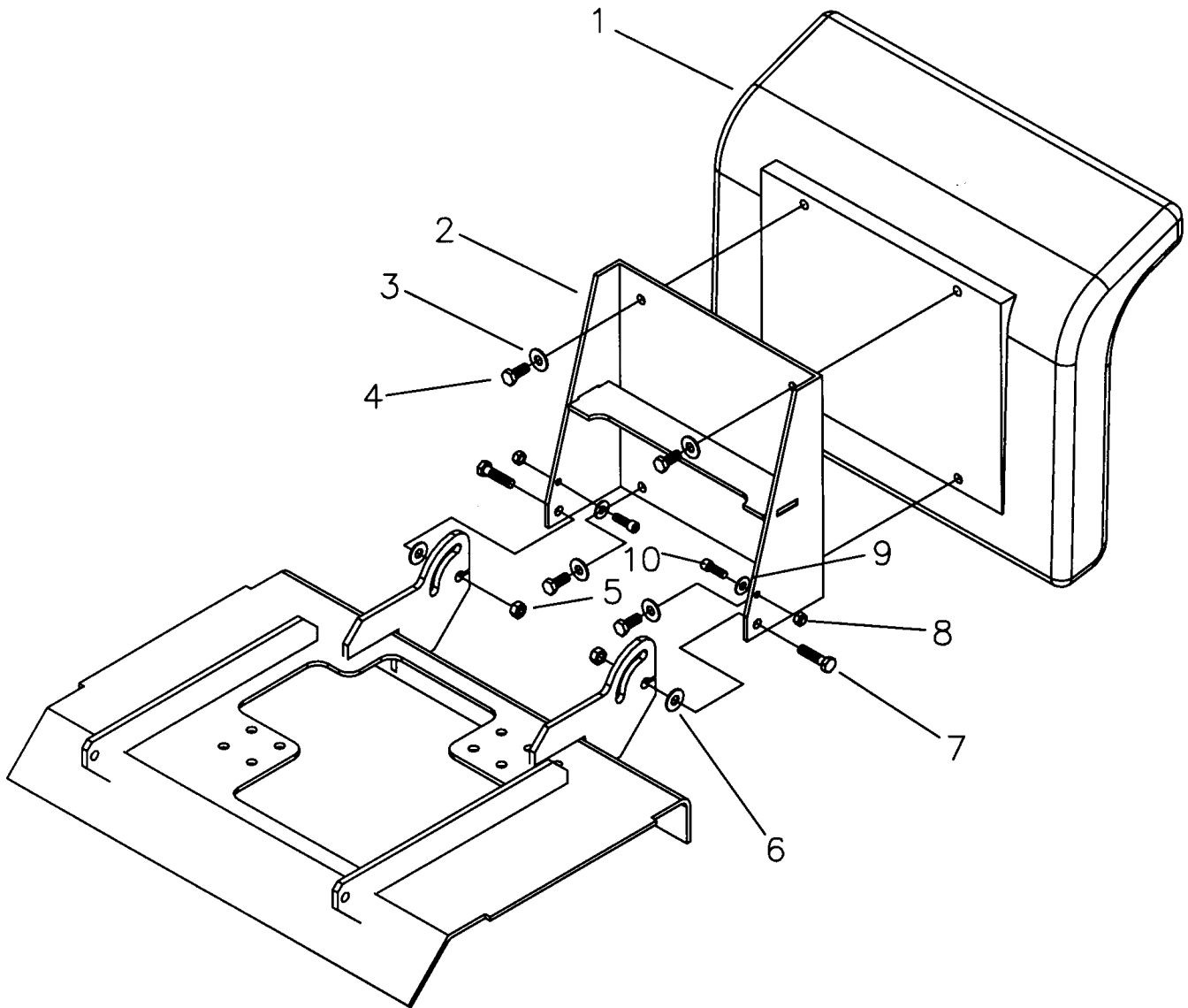
**LEGEND: NS = Not Shown**

**\*\* = Purchase locally**

# BACKHOE SEAT ASSEMBLY

MODEL TLB 20D-25D

A-16A



# BACKHOE SEAT ASSEMBLY PARTS

---

## MODEL TLB 20D-25D

A-16B

NO	REQ'D	PART NO	DESCRIPTION
1	1	920246	BACKHOE SEAT
2	1	92B002	BACKHOE SEAT MOUNT WELDMENT
3	4	**	1/4 FLAT WASHER
4	4	**	8MM X 20MM X 1.25 HCS 8.8 BOLT
5	2	**	3/8-16 NC x NYLON INSERT NUT
6	2	**	5/16 FLAT WASHER
7	2	**	3/8-16 NC x 1-1/4 GRADE 5 BOLT
8	2	**	1/4-20 NC NYLON INSERT NUT
9	2	**	1/4 FLAT WASHER
10	2	**	1/4-20 NC x 5/8" SOCKET HEAD SCREW

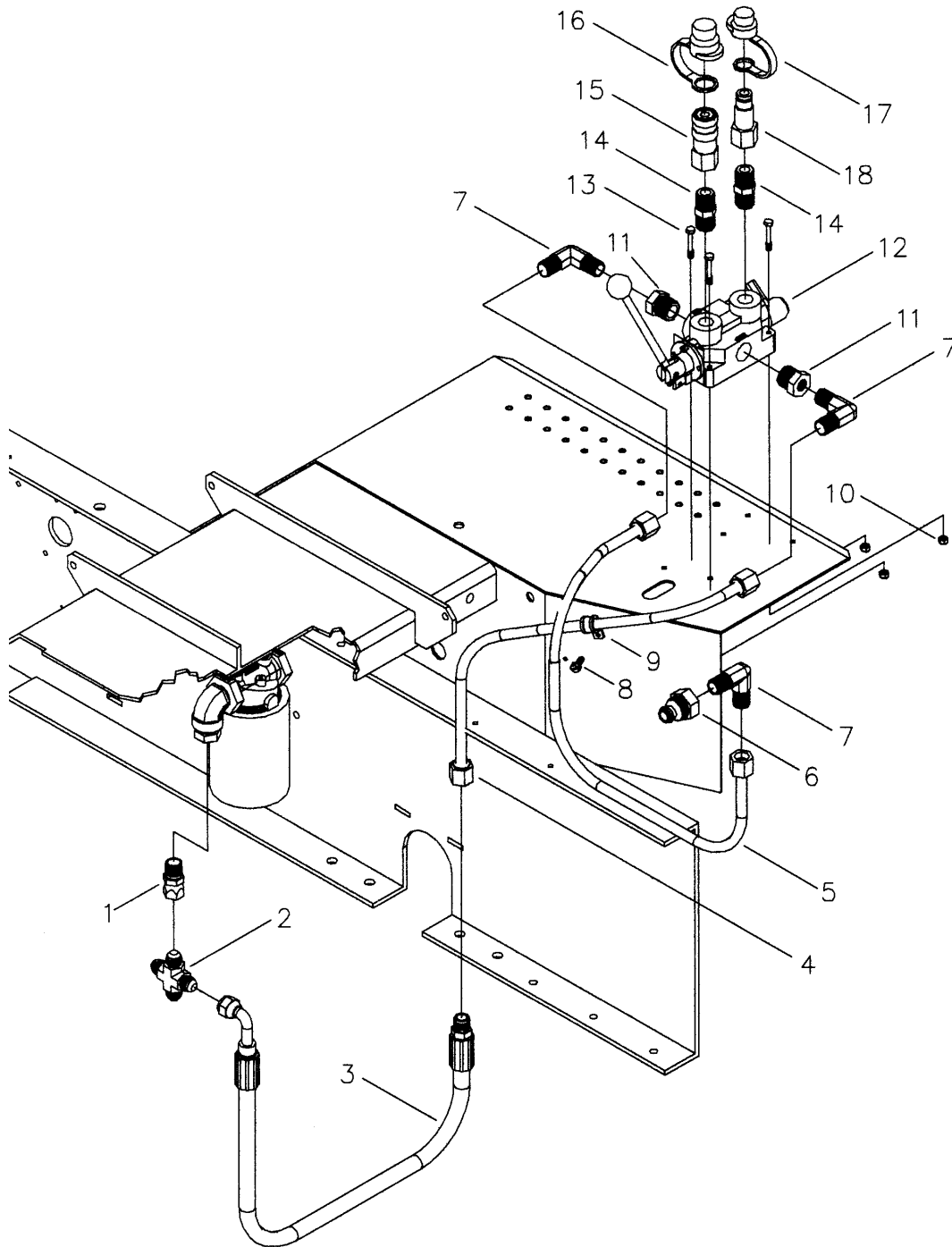
**LEGEND: NS = Not Shown**

**\*\* = Purchase locally**

# AUXILIARY VALVE ASSEMBLY

## MODEL TLB 20D-25D

A-16C



# AUXILIARY VALVE ASSEMBLY PARTS

## MODEL TLB 20D-25D

A-16D

NO	REQ'D	PART NO	DESCRIPTION
1	1	320583	SWIVEL CONNECTOR 650S-8-8
2	1	920655	UNION CROSS
3	1	920705	HOSE ASSEMBLY 1/2 X 24 8FJX90S - HOSE FITTING (5/8 TUBE TO 1/2 HOSE)
4	1	920704	5/8 HYDRAULIC TUBING
5	1	920703	5/8 HYDRAULIC TUBING
6	1	920259	POWER BEYOND SLEEVE CK-6017-B
7	3	920701	HYDRAULIC FITTING 1/2 NPT - 5/8 TUBING 90°
8	1	**	1/4 - 20 NC X 3/4 SELF-TAPPING SCREW
9	1	**	5/8 CUSHION CLAMP
10	3	**	1/4 - 20 NC NYLON INSERT NUT
11	2	920664	HYDRAULIC FITTING 3/4 X 1/2 PTR-S
12	1	920328	DIRECTIONAL VALVE
13	3	**	1/4 - 20 NC X 1 3/4 GRADE 5 BOLT
14	2	920697	HYDRAULIC FITTING 1/2 FF-S
15	1	920650	FEMALE COUPLING
16	1	920651	FEMALE COUPLING CAP
17	1	920653	MALE COUPLING CAP
18	1	920652	MALE COUPLING

**LEGEND: NS = Not Shown**

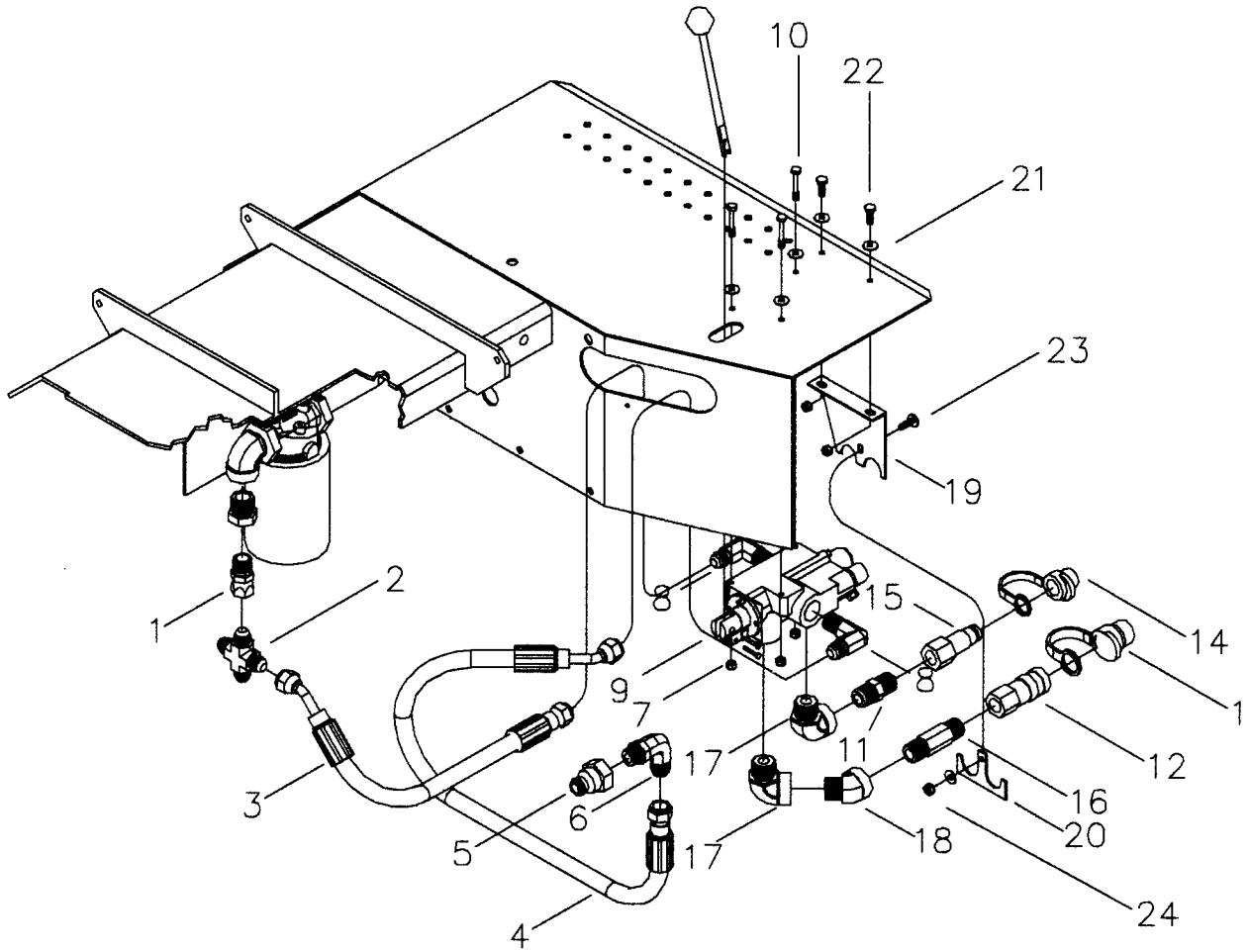
**\*\* = Purchase locally**

# AUXILIARY VALVE ASSEMBLY

## MODEL TLB 20D-25D

(AFTER 7/1/98)

A-16E





# AUXILIARY VALVE ASSEMBLY PARTS

## MODEL TLB 20D-25D

A-16F

(AFTER 7/1/98)

NO	REQ'D	PART NO	DESCRIPTION
1	1	320583	SWIVEL CONNECTOR 650S-8-8
2	1	920655	UNION CROSS
3	1	920285	1/2 X 29.5-8FJX-8FJX45S (RETURN HOSE)
4	1	920286	1/2 X 61.5-8FJX-8FJX45S (PRESSURE SUPPLY)
5	1	920277	POWER BEYOND SLEEVE
6	3	320070	MALE O RING BOSS TO MALE JIC 37° FLARE 90°
7	3	**	1/4 - 20 NC NYLON INSERT NUT
8	2	920697	8-12 CTX-S HYDRAULIC FITTING
9	1	920328	DIRECTIONAL VALVE
10	3	**	1/4 - 20 NC X 1 3/4 GRADE 5 BOLT
11	1	320084	HYDRAULIC FITTING 1/2 FF-S
12	1	920650	FEMALE COUPLING
13	1	920651	FEMALE COUPLING CAP
14	1	920653	MALE COUPLING CAP
15	1	920652	MALE COUPLING
16	1	920298	PF10L-8-3 HYDRAULIC FITTING
17	2	920297	1/2 CD-S 10-12 PIPE THREAD 90° MALE-FEMALE HYDRAULIC FITTING
18	1	920296	1/2 CD 45-S PIPE THREAD HYDRAULIC FITTING
19	1	92T224	QUICK COUPLE SUPPORT BRACKET
20	1	92T225	QUICK COUPLE SUPPORT BRACKET BOTTOM
21	6	**	1/4 FLAT WASHER
22	2	**	1/4-20 X 3/4 BOLT
23	1	**	1/4-20 X 3/4 PHILLIPS HEAD SCREW
24	1	**	1/4-20 KEPS NUT

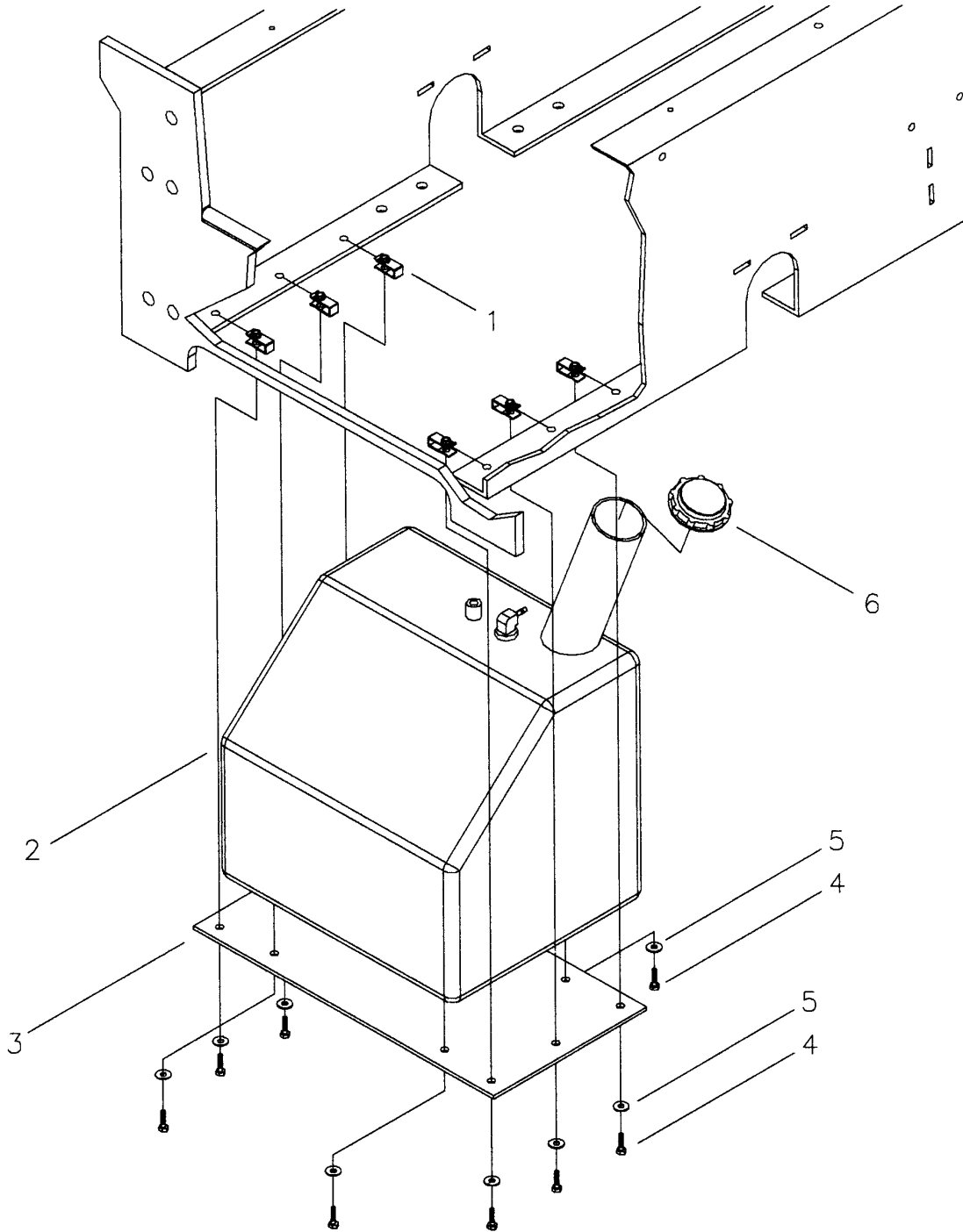
**LEGEND: NS = Not Shown**

**\*\* = Purchase locally**

# FUEL TANK ASSEMBLY

## MODEL TLB 20D-25D

A-17A



# FUEL TANK ASSEMBLY PARTS

---

## MODEL TLB 20D-25D

A-17B

NO	REQ'D	PART NO	DESCRIPTION
1	6	920190	1/2-20 NC J-NUT
2	1	92TO93	POLY FUEL TANK
3	1	92TO94	POLY FUEL TANK MOUNTING PLATE
4	10	**	1/4 - 20 NC X 1 GRADE 5 BOLT
5	10	**	1/4 FLAT WASHER
6	1	340027	FILLER CAP, PLASTIC CAP

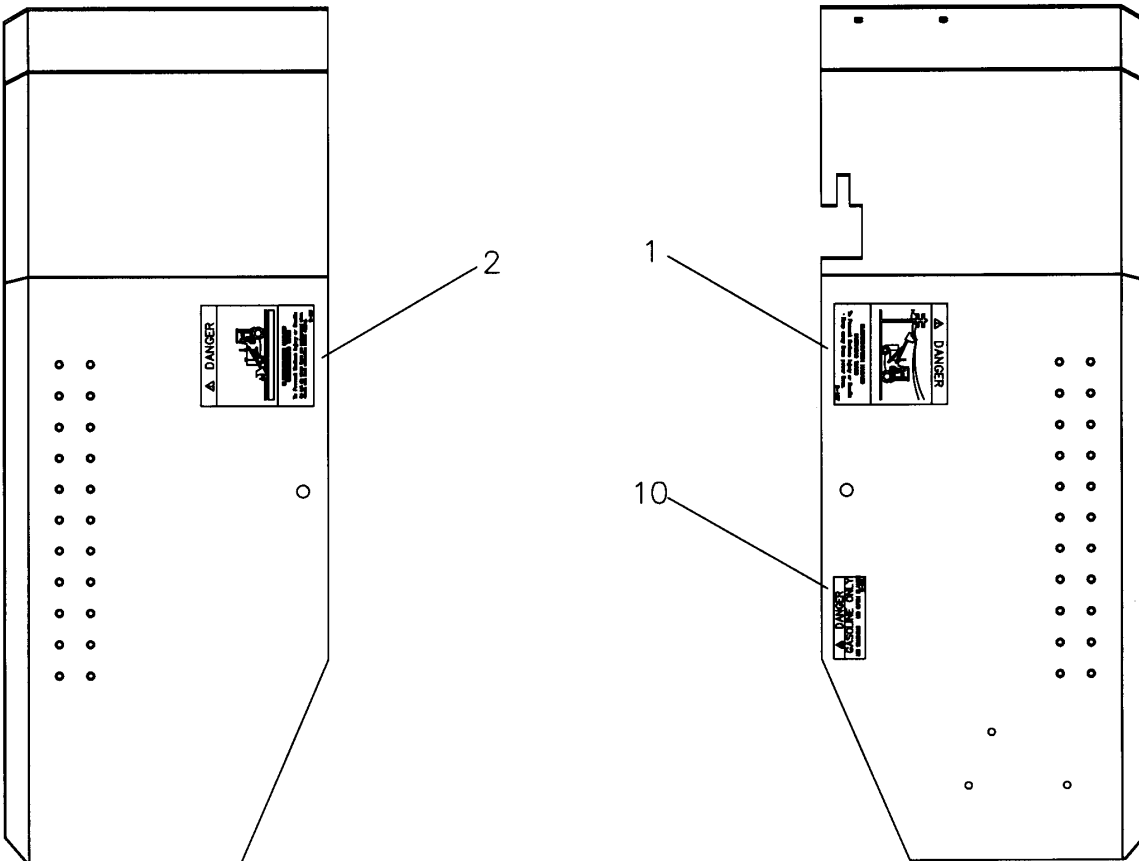
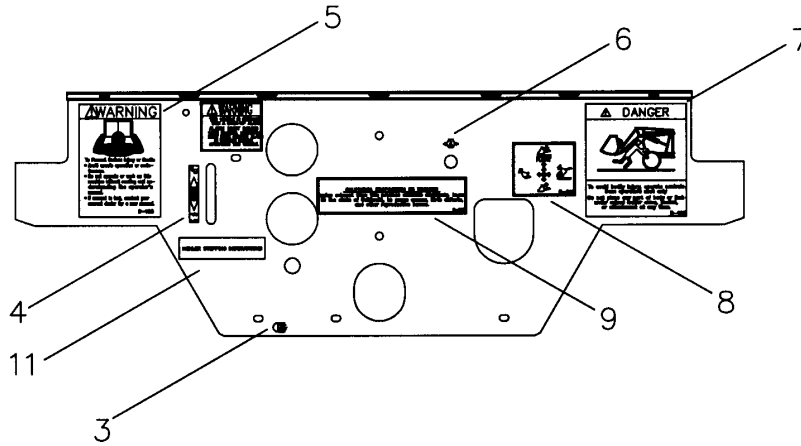
**LEGEND: NS = Not Shown**

**\*\* = Purchase locally**

# DECALS (DASH / FENDERS)

## MODEL TLB 20D-25D

A-18A



# DECALS (DASH / FENDERS) PARTS LIST

---

## MODEL TLB 20D-25D

A-18B

NO	REQ'D	PART NO	DESCRIPTION
1	1	DD-197	(DANGER) OVERHEAD ELECTROCUTION HAZARD
2	1	DD-195	(DANGER) UNDERGROUND ELECTROCUTION HAZARD
3	1	DD-209	LIGHTS SYMBOL (W/OPTIONAL WORK LIGHTS)
4	1	DD-196	ENGINE THROTTLE CONTROL
5	1	DD-158	(WARNING) READ OPERATORS MANUAL
6	1	DD-206	OIL PRESSURE SYMBOL
7	1	DD-189	(DANGER) TO AVOID BODILY INJURY
8	1	DD-207	LOADER JOYSTICK FUNCTIONS (BEFORE SN 9708TO6)
		DD-246	LOADER JOYSTICK FUNCTIONS (AFTER SN 9708TO6)
9	1	DD-187	CALIFORNIA PROPOSITION 65 DIESEL WARNING
10	1	DD-200	DANGER DIESEL ONLY
11	1	@@	KUBOTA STOPPING INSTRUCTIONS
NS		920560	COMPLETE DECAL KIT

**LEGEND: NS = Not Shown**

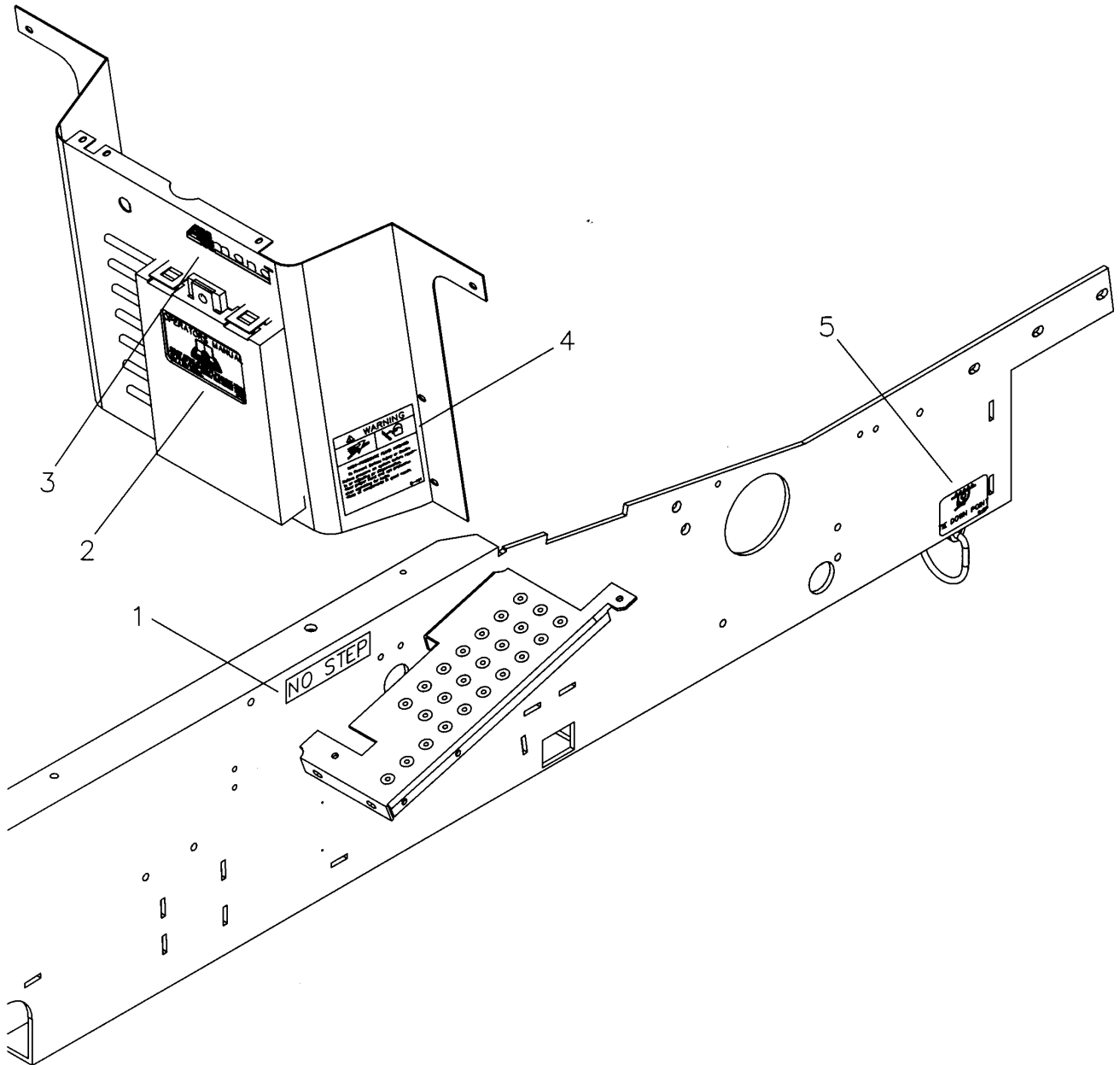
**\*\* = Purchase locally**

**@@ = See Kohler Dealer**

# DECALS (RIGHT SIDE)

## MODEL TLB 20D-25D

A-18C



# DECALS (RIGHT SIDE) PARTS LIST

---

## MODEL TLB 20D-25D

A-18D

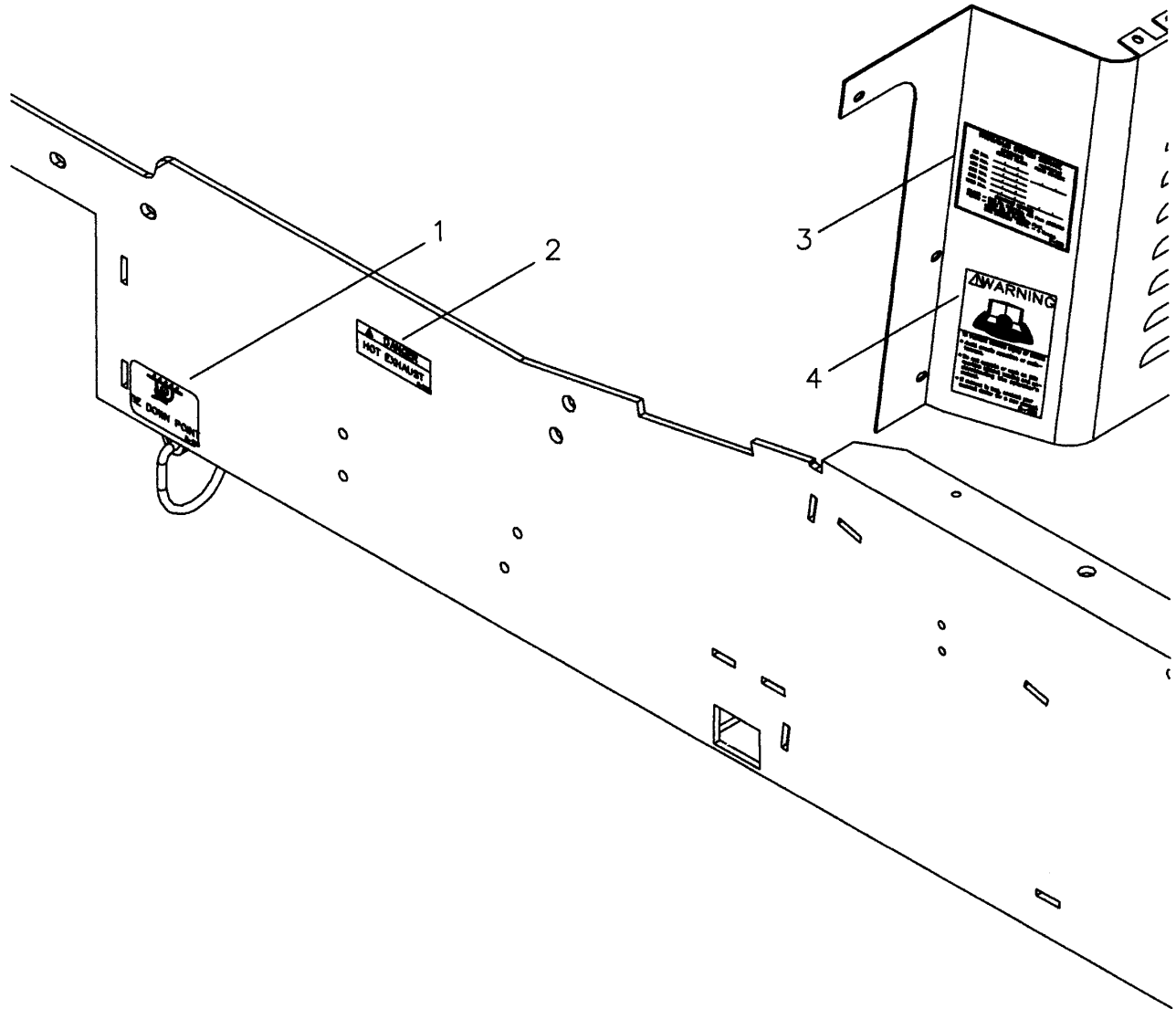
NO	REQ'D	PART NO	DESCRIPTION
1	1	DD-147	NO STEP
2	1	DD-212	OPERATOR'S MANUAL
3	1	DD-270	ALLMAND DECAL
4	1	DD-191	(WARNING) HIGH-PRESSURE FLUID HAZARD
5	4	DD-210	TIE DOWN POINT (2) ON TRACTOR FRAME (RIGHT & LEFT) (2) ON BACKHOE FRAME (RIGHT & LEFT)

**LEGEND: NS = Not Shown**  
**\*\* = Purchase locally**

# DECALS (LEFT SIDE)

## MODEL TLB 20D-25D

A-18E





# DECALS (LEFT SIDE) PARTS LIST

---

## MODEL TLB 20D-25D

A-18F

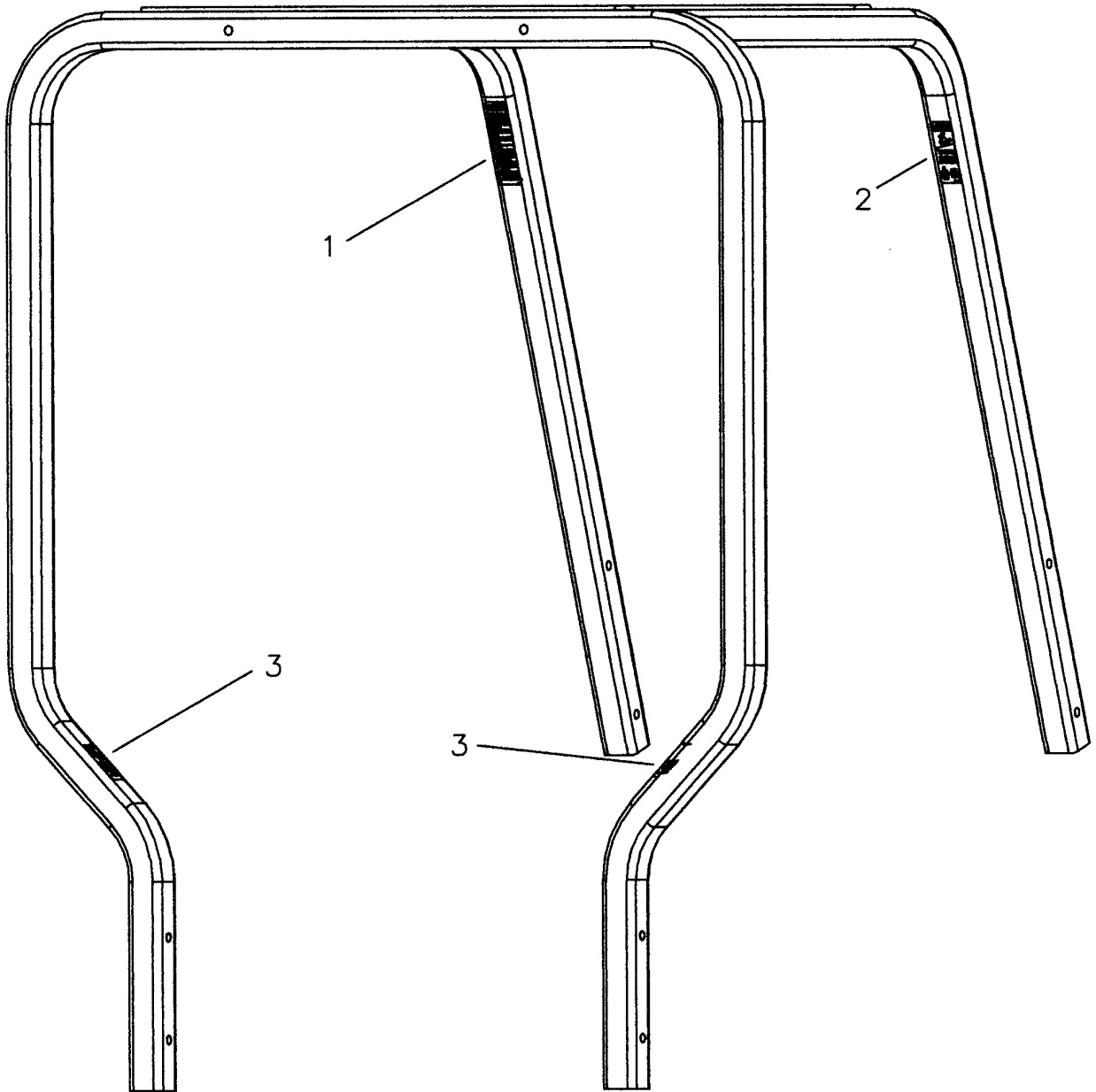
NO	REQ'D	PART NO	DESCRIPTION
1	4	DD-210	TIE DOWN POINT (2) ON TRACTOR FRAME (RIGHT & LEFT) (2) ON BACKHOE FRAME (RIGHT & LEFT)
2	1	DD-193	(DANGER) HOT EXHAUST
3	1	DD-258	HYDRAULIC SYSTEM SERVICE DECAL
4	1	DD-158	READ HAND BOOK DECAL

**LEGEND: NS = Not Shown**  
**\*\* = Purchase locally**

# DECALS (ROPS)

## MODEL TLB 20D-25D

A-18G



# DECALS (ROPS) PARTS LIST

---

## MODEL TLB 20D-25D

A-18H

NO	REQ'D	PART NO	DESCRIPTION
1	1	DD-190	(CAUTION) AVOID DEATH OR SERIOUS INJURY
2	1	DD-194	(WARNING) AVOID CRUSHING
3	2	DD-219	(WARNING) PINCH POINT

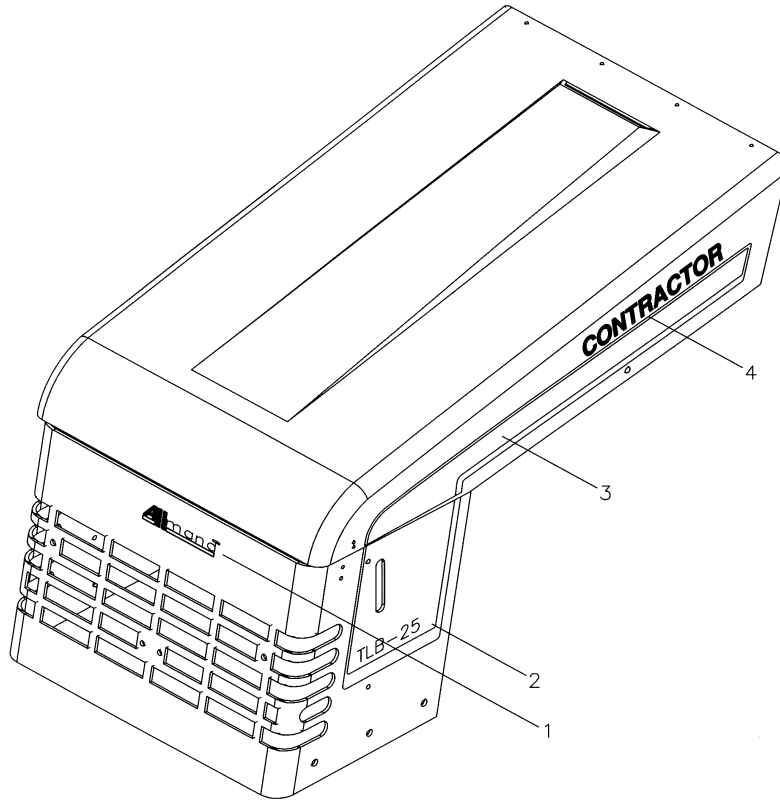
**LEGEND: NS = Not Shown**  
**\*\* = Purchase locally**

# DECALS (HOOD / NOSE)

---

## MODEL TLB 20D-25D

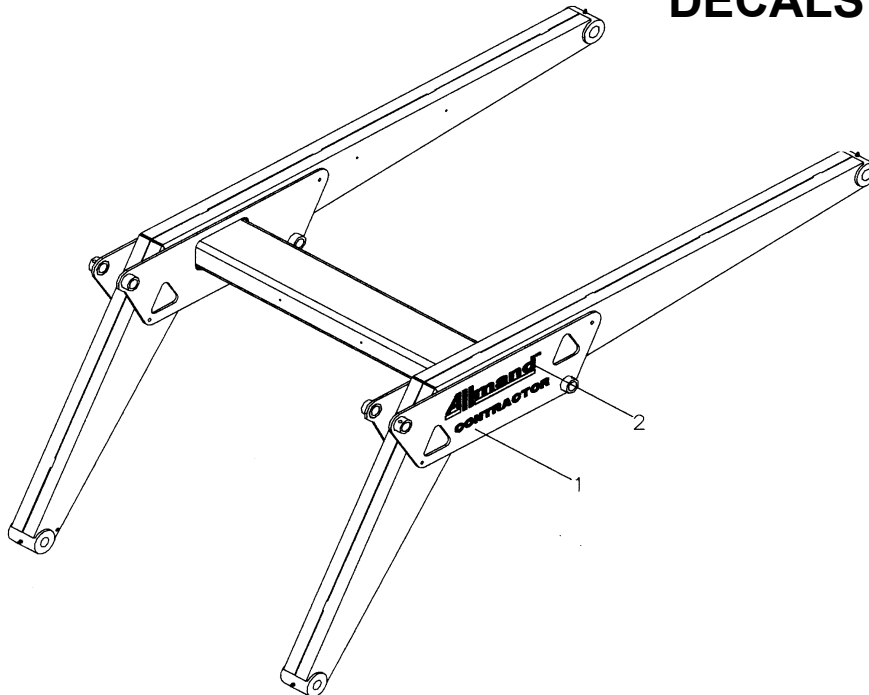
A-18I



---

A-18K

## DECALS (LOADER)



# DECALS (HOOD / NOSE) PARTS LIST

---

## MODEL TLB 20D-25D

A-18J

NO	REQ'D	PART NO	DESCRIPTION
1	1	DD-270	ALLMAND DECAL
2	2	DD-273	DECAL TLB-25D
3	1	DD-221	DECAL NOSE - HOOD SET
4	2	DD-274	CONTRACTOR

**LEGEND: NS = Not Shown**  
**\*\* = Purchase locally**

---

A-18L

## DECALS (LOADER) PARTS LIST

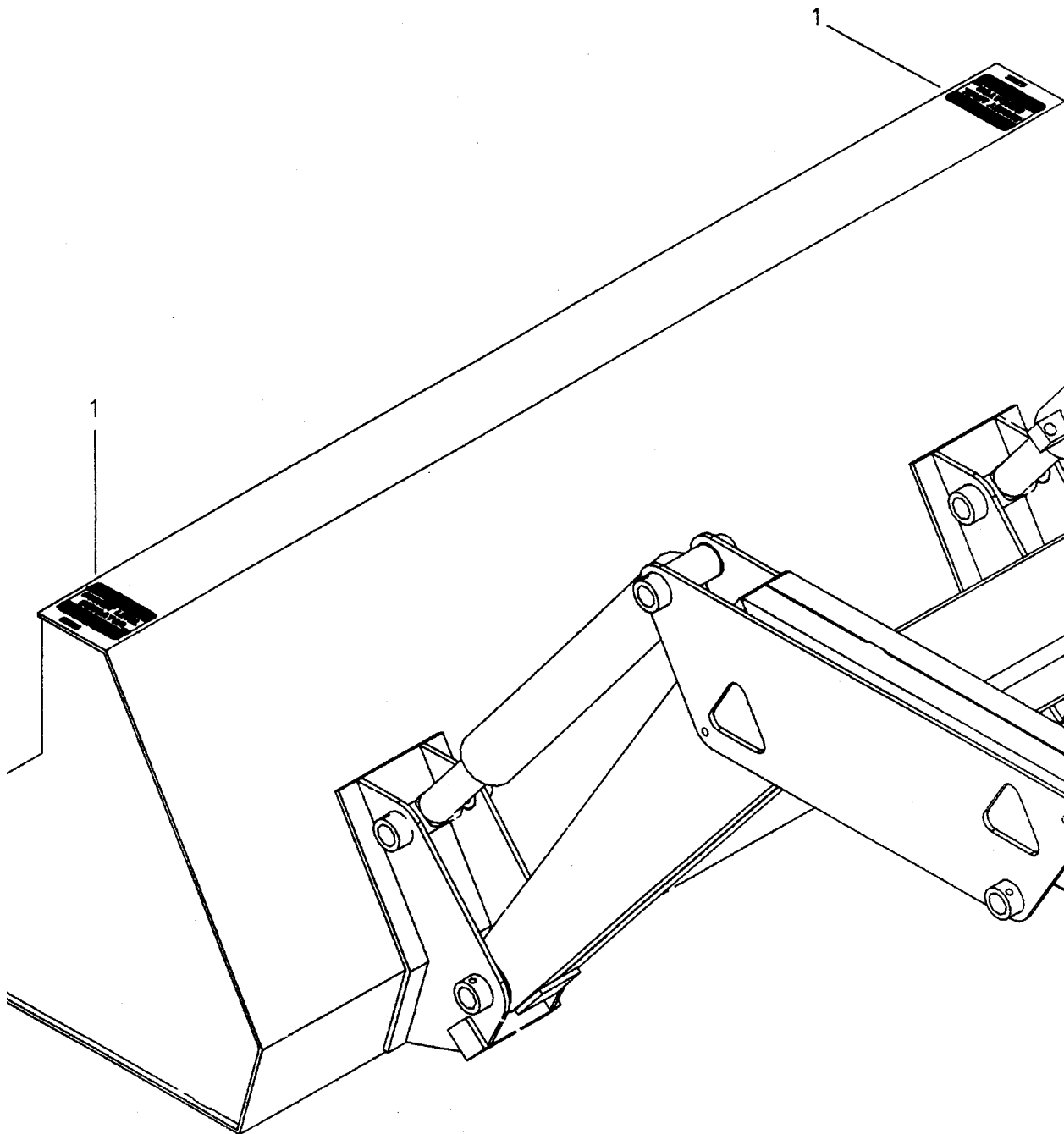
1	2	DD-274	CONTRACTOR DECAL
2	2	DD-269	ALLMAND LOGO

**LEGEND: NS = Not Shown**  
**\*\* = Purchase locally**

# DECALS (BUCKET)

## MODEL TLB 20D-25D

A-18M



# DECALS (BUCKET) PARTS LIST

---

MODEL TLB 20D-25D

A-18N

NO	REQ'D	PART NO	DESCRIPTION
1	2	DD-285	BUCKET LEVEL INDICATOR

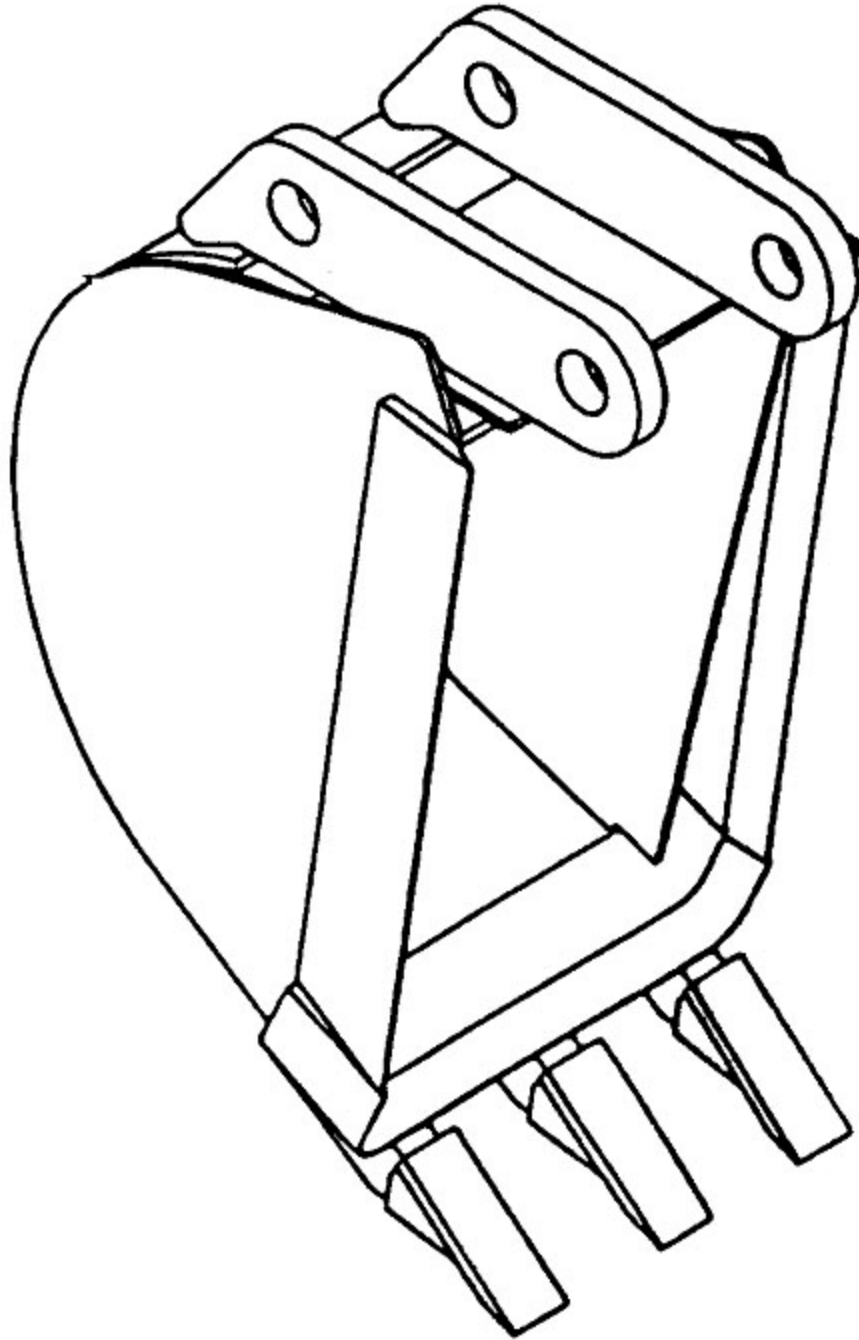
LEGEND: NS = Not Shown  
\*\* = Purchase locally

# BACKHOE BUCKET OPTIONS

---

MODEL TLB 20D-25D

A-19A





# BACKHOE BUCKET OPTIONS PARTS LIST

---

## MODEL TLB 20D-25D

A-19B

PART NUMBER	BUCKET DESCRIPTION AND SIZE
920102	BACKHOE BUCKET 408--10"
920103	BACKHOE BUCKET 408--12"
920104	BACKHOE BUCKET 408--16"
920105	BACKHOE BUCKET 408--18"
920106	BACKHOE BUCKET 408--24"
920109	BACKHOE BUCKET 408--36"
920149	BACKHOE QUICK ATTACH-- 408

# STABILIZER GUARD KIT

---

MODEL TLB 20D-25D

A-20A

# STABILIZER GUARD PARTS LIST

---

MODEL TLB 20D-25D

A-20B

NO	REQ'D	PART NO	DESCRIPTION
1	1	920169	STABILIZER GUARD
2	1	340117	1 1/2" MUFFLER CLAMP - PLATED

LEGEND: NS = Not Shown  
\*\* = Purchase locally