

**PARTS MANUAL**

**JUNE 2001**

**Allmand™**

***ESL DESIGN***  
**BACKHOES**

**MODELS**  
**BH85 AND BH100**

**ALLMAND BROS. INC**  
**P.O. BOX 888**  
**HOLDREGE, NE 68949**

**PHONE: 308/995-4495, 1-800/562-1373**  
**ALLMAND FAX: 308/995-5887**  
**ALLMAND PARTS FAX: 308/995-4883**



**For Parts and Updates visit Allmand on the Web at [www.allmand.com](http://www.allmand.com)**



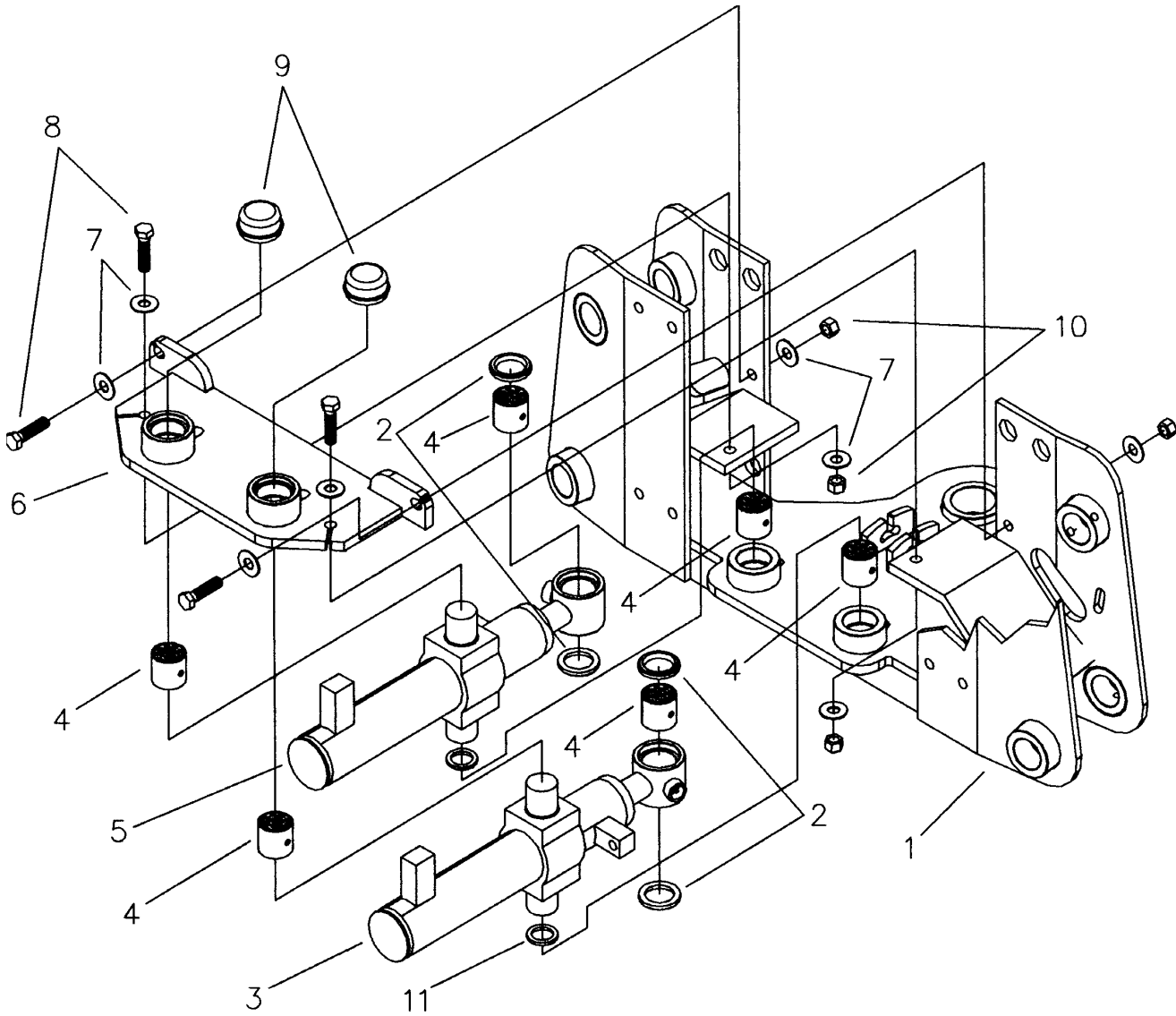
# TABLE OF CONTENTS

---

SWING POST TRUNNION ASSEMBLY (A-1A) .....	PAGE 46
SWING POST TRUNNION ASSEMBLY PARTS (A-1B) .....	PAGE 47
MAIN FRAME AND STABILIZER ASSEMBLY (A-1C) .....	PAGE 48
MAIN FRAME AND STABILIZER ASSEMBLY PARTS (A-1D) .....	PAGE 49
VALVE COVER PLATE ASSEMBLY (A-1E) .....	PAGE 50
VALVE COVER PLATE ASSEMBLY PARTS (A-1F) .....	PAGE 51
MAIN FRAME-SWING POST ASSEMBLY (A-2A) .....	PAGE 52
MAIN FRAME-SWING POST ASSEMBLY PARTS (A-2B) .....	PAGE 53
SWING POST AND 8 1/2 FT BOOM ASSEMBLY (A-3A) .....	PAGE 54
SWING POST AND 8 1/2 FT BOOM ASSEMBLY PARTS (A-3B) .....	PAGE 55
8 1/2 FT BOOM AND DIPPER ASSEMBLY (A-3C) .....	PAGE 56
8 1/2 FT BOOM AND DIPPER ASSEMBLY PARTS (A-3D) .....	PAGE 57
SWING POST AND 10 FT. BOOM ASSEMBLY (A-3E).....	PAGE 58
SWING POST AND 10 FT. BOOM ASSEMBLY PARTS (A-3F).....	PAGE 59
10 FT BOOM AND DIPPER ASSEMBLY (A-3G).....	PAGE 60
10 FT BOOM AND DIPPER ASSEMBLY PARTS (A-3H) .....	PAGE 61
8 1/2 FT DIPPER AND BUCKET ASSEMBLY (A-4A) .....	PAGE 62
8 1/2 FT DIPPER AND BUCKET ASSEMBLY PARTS (A-4B) .....	PAGE 63
10 FT DIPPER AND BUCKET ASSEMBLY (A-4C) .....	PAGE 64
10 FT DIPPER AND BUCKET ASSEMBLY PARTS (A-4D) .....	PAGE 65
8 1/2 FT HYDRAULIC HOSE ASSEMBLIES (A-5A) .....	PAGE 66
8 1/2 FT HYDRAULIC HOSE ASSEMBLY PARTS (A-5B) .....	PAGE 67
10 FT HYDRAULIC HOSE ASSEMBLIES (A-5C) .....	PAGE 68
10 FT HYDRAULIC HOSE ASSEMBLY PARTS (A-5D) .....	PAGE 69
SAFETY AND OPERATION DECALS.....	PAGE 70-71

# SWING POST TRUNNION ASSEMBLY

A-1A



# SWING POST TRUNNION ASSEMBLY PARTS

---

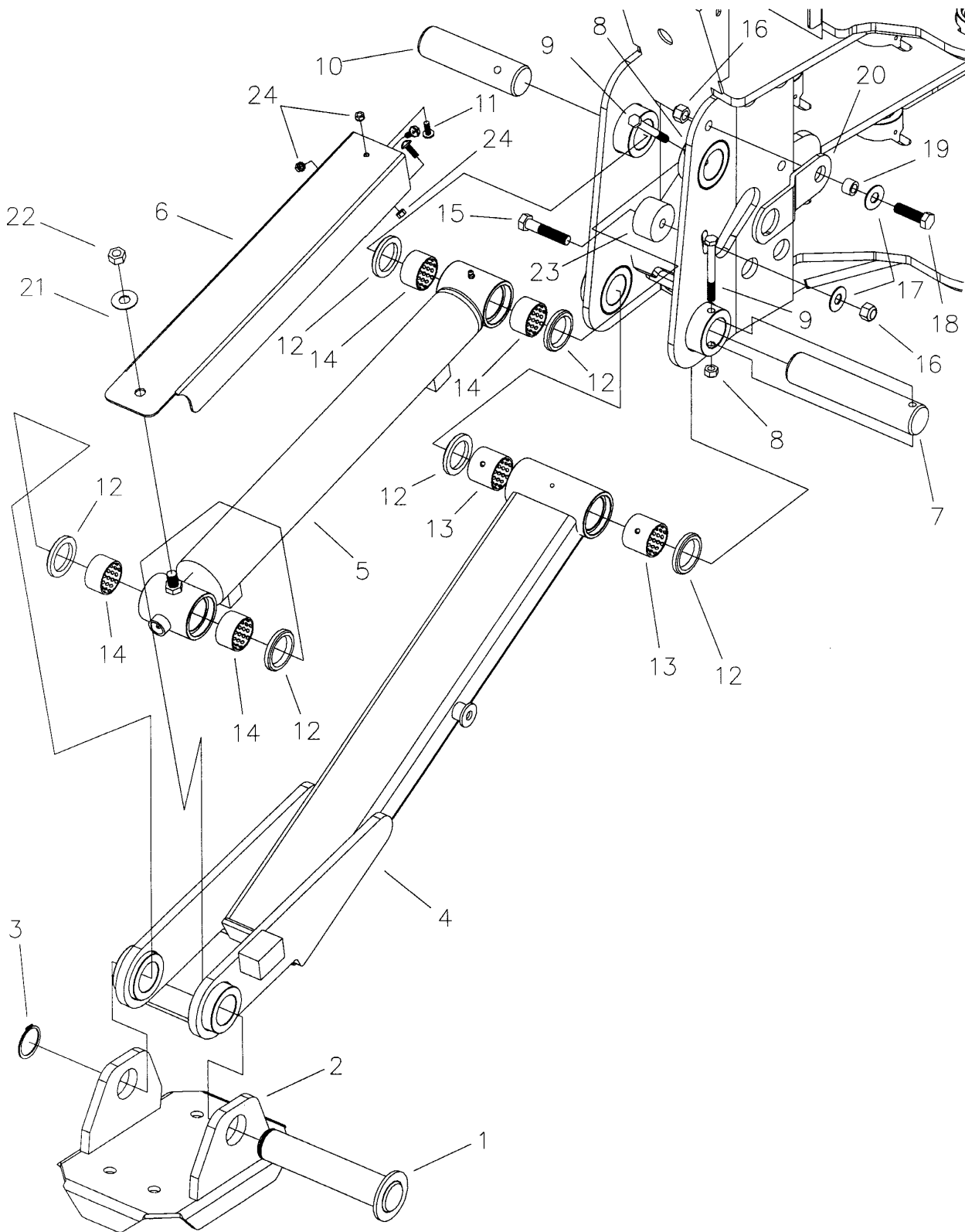
A-1B

NO	REQ'D	PART NO	DESCRIPTION
1	1	923060	BACKHOE MAINFRAME
2	4	923040	BEARING SEAL
3	1	923159	LEFT SWING CYLINDER
4	6	923043	GARLOCK BEARING
5	1	923160	RIGHT SWING CYLINDER
6	1	923110	SWING CYLINDER COVER
7	16	047025	1/2 FLAT WASHER
8	8	046195	1/2-13 NC x 2" GRADE 5 BOLT
9	2	330005D	DUST CAP
10	8	044048	1/2-13 NC NYLON INSERT NUT
11	2	041089	SPACER WASHER
NS		923579	SEAL KIT FOR 923159/923160

LEGEND: NS = Not Shown  
\*\* = Purchase locally

# MAINFRAME AND STABILIZER ASSEMBLY

A-1C



# MAINFRAME AND STABILIZER ASSEMBLY PARTS

---

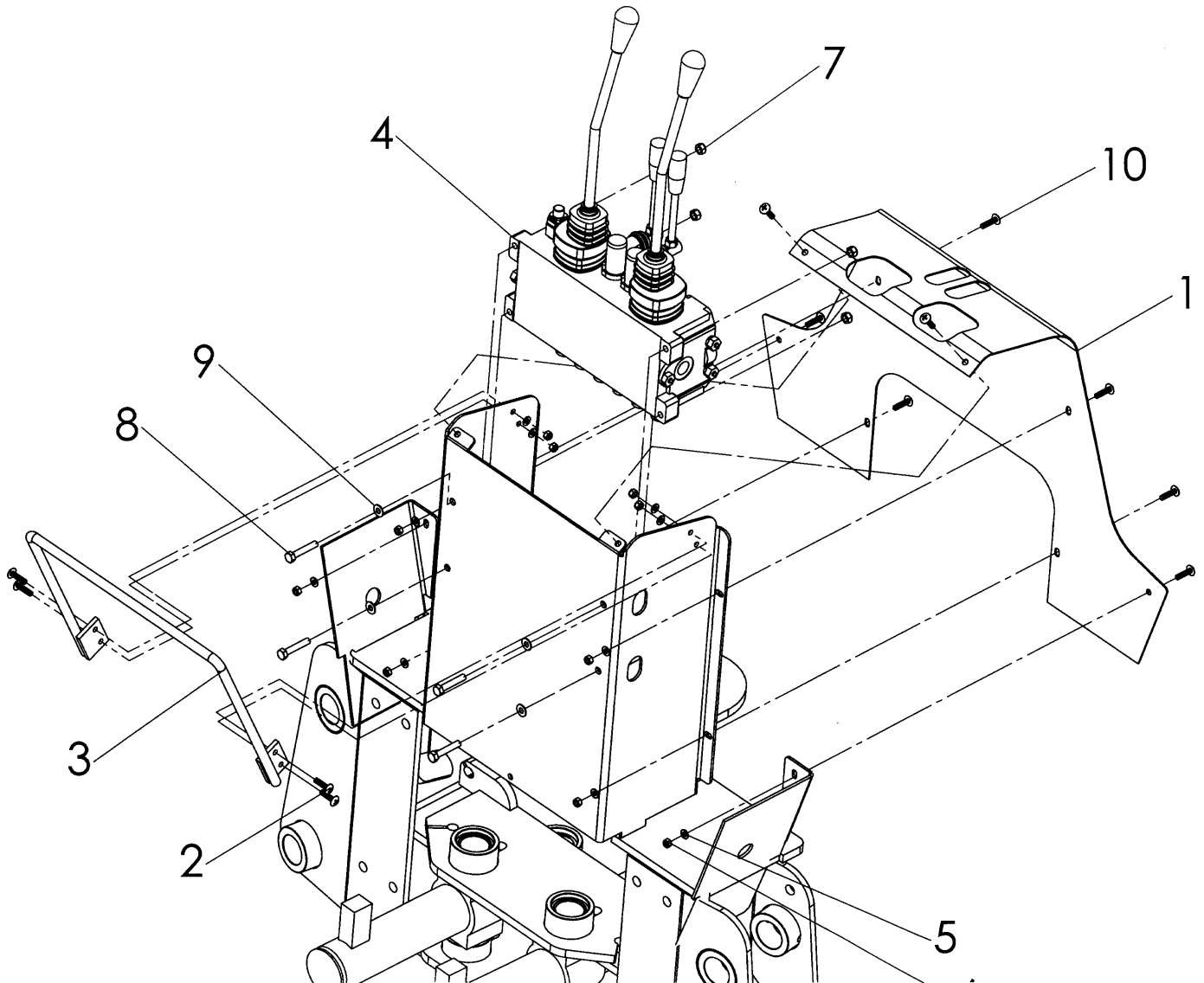
A-1D

NO	REQ'D	PART NO	DESCRIPTION
1	2	923113	STABILIZER FOOT PIN ASSEMBLY
2	2	923075	STABILIZER FOOT
3	2	923206	EXTERNAL LOCK RING
4	1	923078	STABILIZER ASSEMBLY LEFT
NS	1	923347	STABILIZER ASSEMBLY RIGHT
5	2	923587	STABILIZER CYLINDER, 8-1/2' BACKHOE
6	2	923109	STABILIZER GUARD
7	2	923145	STABILIZER MOUNTING PIN
8	4	044080	3/8-16 NC TOP LOCK NUT
9	4	046138	3/8-16 NC x 3" GRADE 5 BOLT
10	2	923147	STABILIZER CYLINDER MOUNTING PIN
11	6	041250	1/4-20 NC x 1/2 PLASTIC BOLT
12	6	923041	BEARING SEAL
13	2	923045	GARLOCK BEARING
14	4	923044	GARLOCK BEARING
15	2	046200	1/2-13 X 2-1/4 GRADE 5 BOLT
16	4	044048	1/2-13 NYLON INSERT NUT
17	4	047025	1/2 FLAT WASHER
18	2	046186	1/2-13 X 1-3/4 GRADE 5 BOLT
19	2	923352	STABILIZER LOCK SPACER
20	2	930430	STABILIZER LATCH
21	2	047025	1/2 FLAT WASHER
22	2	044101	1/2-13 CENTER LOCK NUT
23	1	923194	STABILIZER STOP
24	6	044023	1/4-20 NYLOCK NUT
NS		923588	SEAL KIT FOR 923587

LEGEND: NS = Not Shown  
\*\* = Purchase locally

# VALVE COVER PLATE ASSEMBLY

A-1E





# VALVE COVER PLATE ASSEMBLY PARTS

---

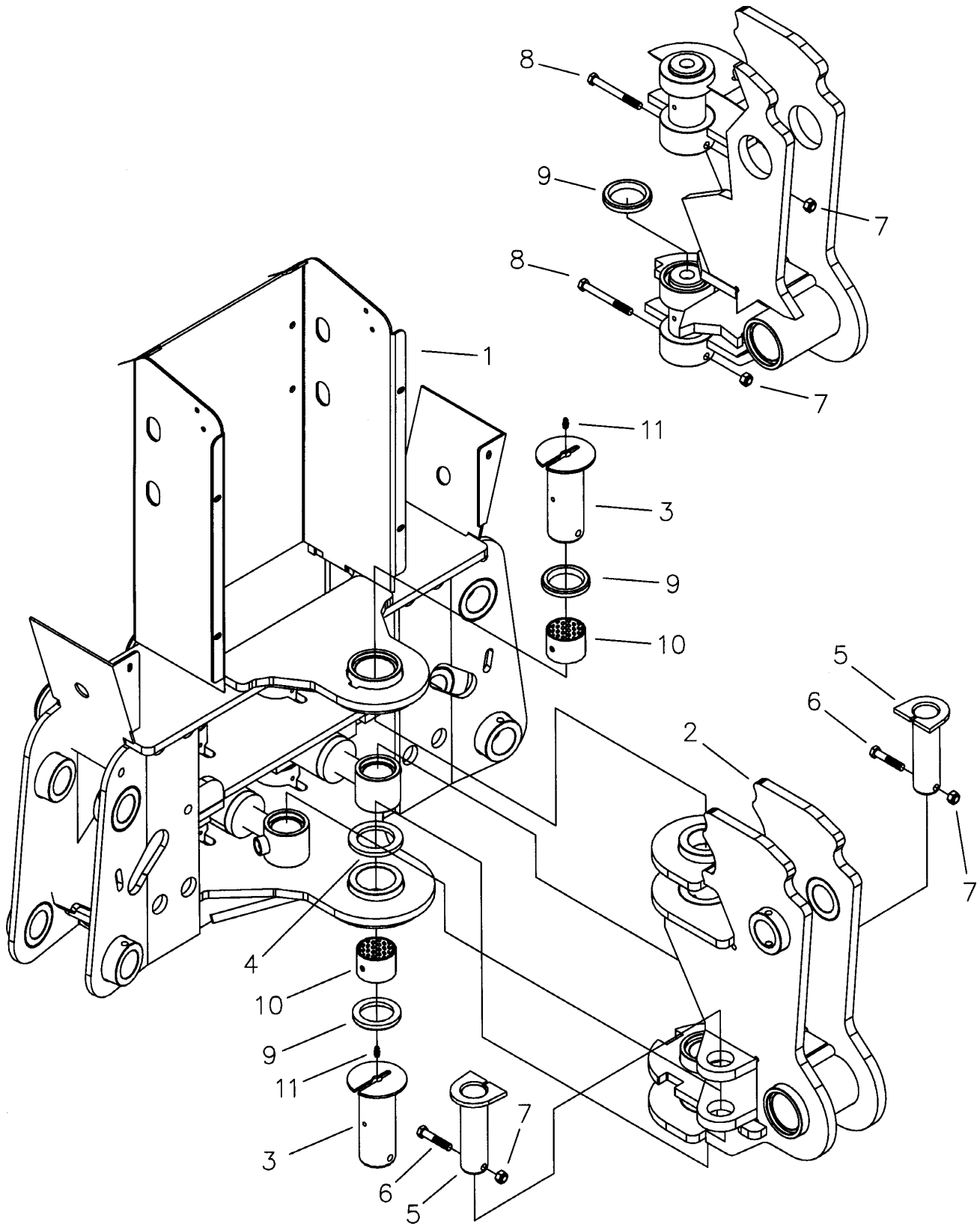
A-1F

NO	REQ'D	PART NO	DESCRIPTION
1	1	923107	BACKHOE VALVE COVER PLATE
2	4	041080	1/4-20 NC x 1" TRUSS HEAD SCREW
3	1	923120	WRIST SUPPORT ASSEMBLY
4	1	923330	WALVOIL VALVE ASSEMBLY
5	10	047009	1/4 FLAT WASHER STAINLESS STEEL
6	10	044023	1/4-20 NC NYLON INSERT NUT
7	4	044033	5/16-18 NYLON INSERT NUT
8	4	046065	5/16-18 X 1-3/4 GRADE 5 BOLT
9	4	047005	1/4" FLAT WASHER
10	10	041050	1/4-20 NC x 3/4" TRUSS HEAD SCREW

LEGEND: NS = Not Shown  
\*\* = Purchase locally

# MAIN FRAME-SWING POST ASSEMBLY

A-2A



# MAIN FRAME-SWING POST ASSEMBLY PARTS

---

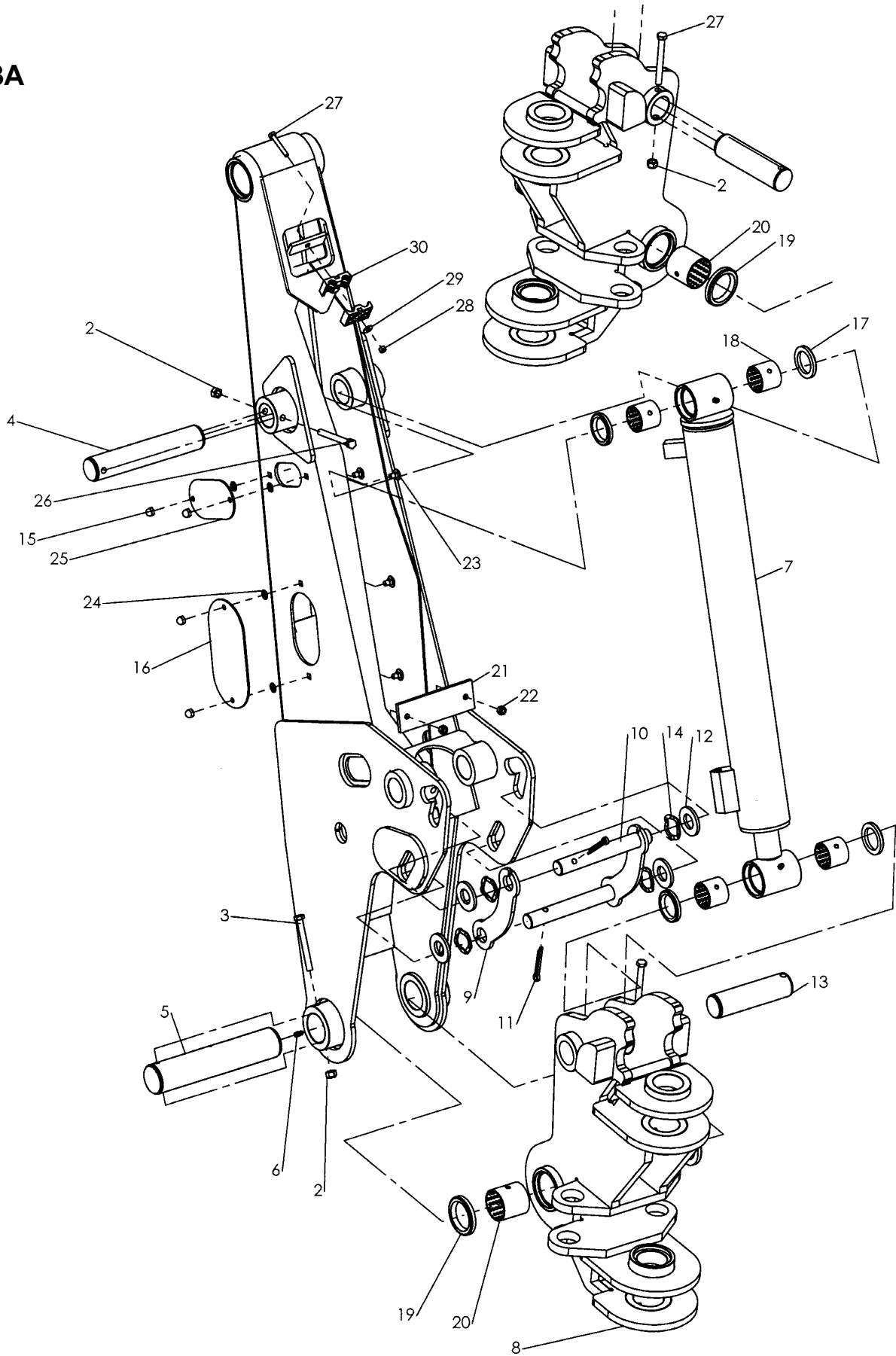
A-2B

NO	REQ'D	PART NO	DESCRIPTION
1	1	923060	BACKHOE MAINFRAME
2	1	923084	SWING POST WELDMENT
3	2	923152	SWING POST MOUNTING PIN
4	1	923115	SWING POST THRUST WASHER
5	2	923118	SWING CYLINDER PIN ASSEMBLY
6	2	046130	3/8-16 NC x 2" GRADE 5 BOLT
7	4	044080	3/8-16 NC TOPLOCK NUT
8	2	046138	3/8-16 NC x 3-1/2 GRADE 5 BOLT
9	3	923042	BEARING SEAL
10	2	923046	GARLOCK BEARING
11	2	401256	STRAIGHT ZERK FITTING

LEGEND: NS = Not Shown  
\*\* = Purchase locally

# SWING POST AND 8 1/2 FT. BOOM ASSEMBLY

A-3A



# **SWING POST AND 8 1/2 FT. BOOM ASSEMBLY PARTS**

**A-3B**

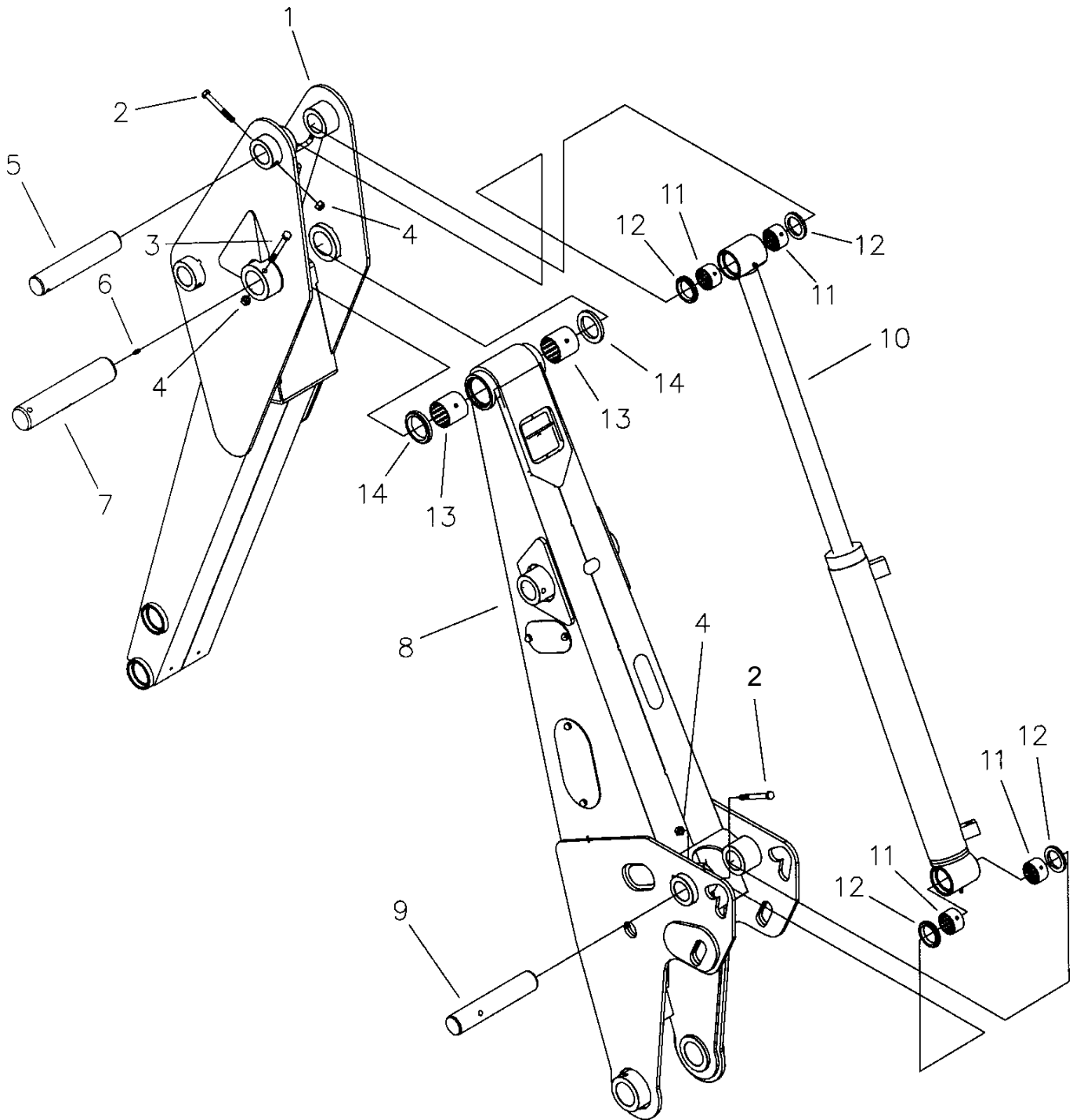
<b>NO</b>	<b>REQ'D</b>	<b>PART NO</b>	<b>DESCRIPTION</b>
1	1	923093	BACKHOE BOOM, 8-1/2'
2	3	044080	3/8-16 NC TOP LOCK NUT
3	1	046138	3/8-16 NC x 3-1/2 GRADE 5 BOLT
4	1	923146	BOOM CYLINDER BASE END MOUNTING PIN
5	1	923153	BACKHOE BOOM / SWING POST PIN
6	1	401256	STRAIGHT ZERK FITTING
7	1	923300	BOOM CYLINDER, 8-1/2' BACKHOE
8	1	923084	SWING POST WELDMENT
9	1	923117	BOOM LOCK LINKAGE ARM
10	1	923116	BOOM LOCK LINKAGE ASSEMBLY
11	2	045012	COTTER PIN, 1/4 X 1-3/4
12	4	923059	BOOM LOCK NYLON WASHER
13	1	923149	BOOM CYLINDER ROD END MOUNTING PIN
14	4	923224	WAVY WASHER, 1-3/4 O.D. x 1" I.D. x .025 THK
15	4	044027	5/16-18 ACORN NUT
16	1	923349	LARGE COVER
17	4	923041	BEARING SEAL
18	4	923044	GARLOCK BEARING
19	2	923042	BEARING SEAL
20	2	923047	GARLOCK BEARING
21	1	923219	BOOM HOSE PLATE
22	2	044033	5/16-18 NC NYLON INSERT NUT
23	4	053029	5/16-18 NC X 1/2 CARRIAGE BOLT
24	4	045217	5/16-18 NC PUSHNUT BOLT RETAINER
25	1	923350	SMALL COVER
26	2	046137	3/8-16 X 3" GRADE 5 BOLT
27	1	046030	1/4-20 X 1-3/4 GRADE 5 BOLT
28	1	044023	1/4-20 NC NYLON INSERT NUT
29	1	047005	1/4 WASHER
30	2	923227	CLAMP HALVES
NS		923580	SEAL KIT FOR 923300

LEGEND: NS = Not Shown

\*\* = Purchase locally

# 8 1/2 FT. BOOM AND DIPPER ASSEMBLY

A-3C



# 8 1/2 FT. BOOM AND DIPPER ASSEMBLY PARTS

---

A-3D

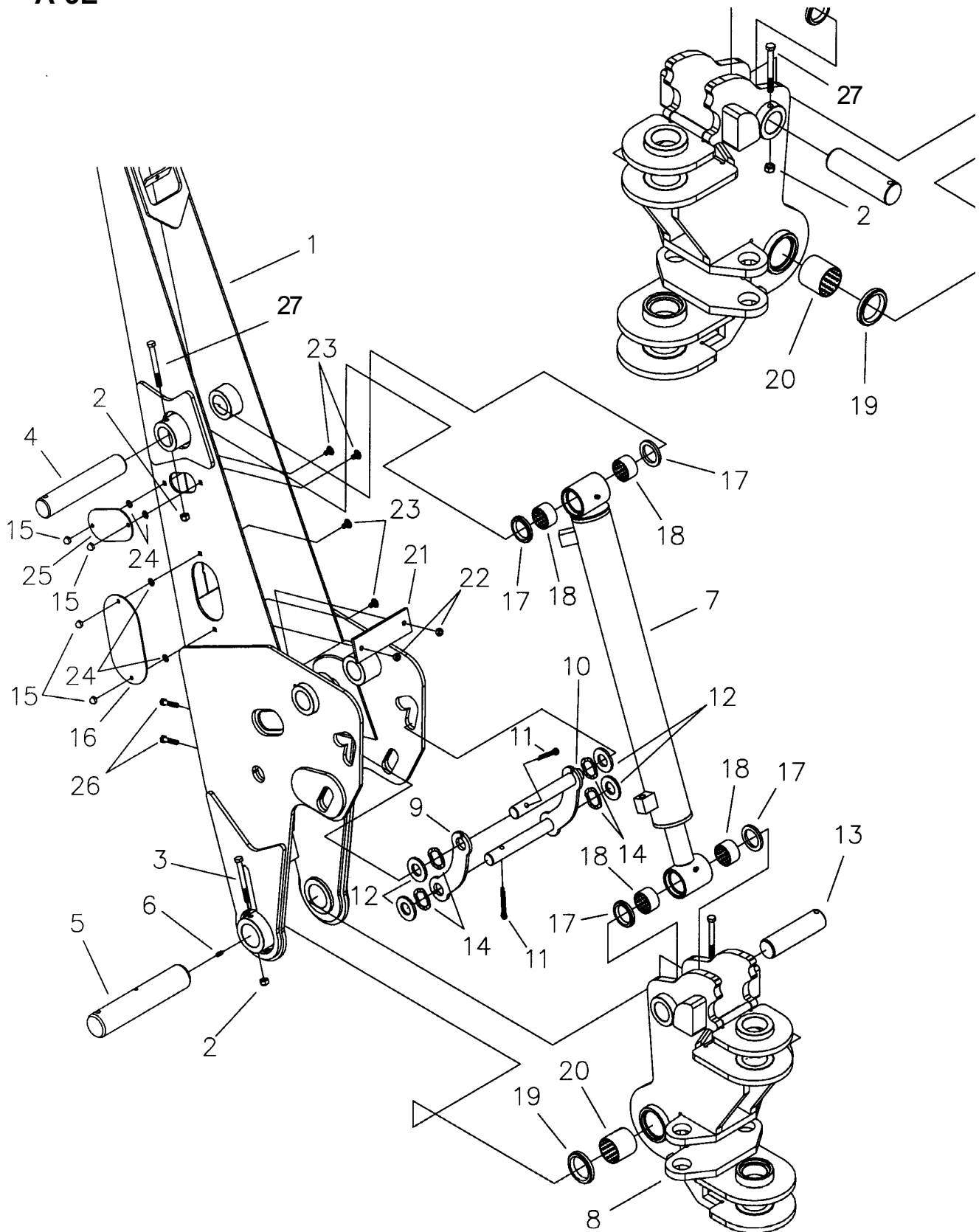
NO	REQ'D	PART NO	DESCRIPTION
1	1	923165	BACKHOE DIPPER, 8-1/2'
2	2	046137	3/8-16 NC x 3" GRADE 5 BOLT
3	1	046138	3/8-16 NC x 3-1/2" GRADE 5 BOLT
4	3	044080	3/8-16 NC TOP LOCK NUT
5	1	923146	BOOM CYLINDER BASE END MOUNTING PIN
6	1	401256	STRAIGHT ZERK FITTING
7	1	923584	BACKHOE DIPPER / BOOM PIN
8	1	923093	BACKHOE BOOM, 8-1/2'
9	1	923150	DIPPER CYLINDER BASE END MOUNTING PIN
10	1	923241P	DIPPER CYLINDER, 8-1/2' BACKHOE
11	4	923044	GARLOCK BEARING
12	4	923041	BEARING SEAL
13	4	923047	GARLOCK BEARING
14	4	923042	BEARING SEAL
NS		923577	SEAL KIT FOR 923158
NS		100267	SEAL KIT FOR 923241P

LEGEND: NS = Not Shown

\*\* = Purchase locally

# SWING POST AND 10 FT. BOOM ASSEMBLY

A-3E





# SWING POST AND 10 FT. BOOM ASSEMBLY PARTS

A-3F

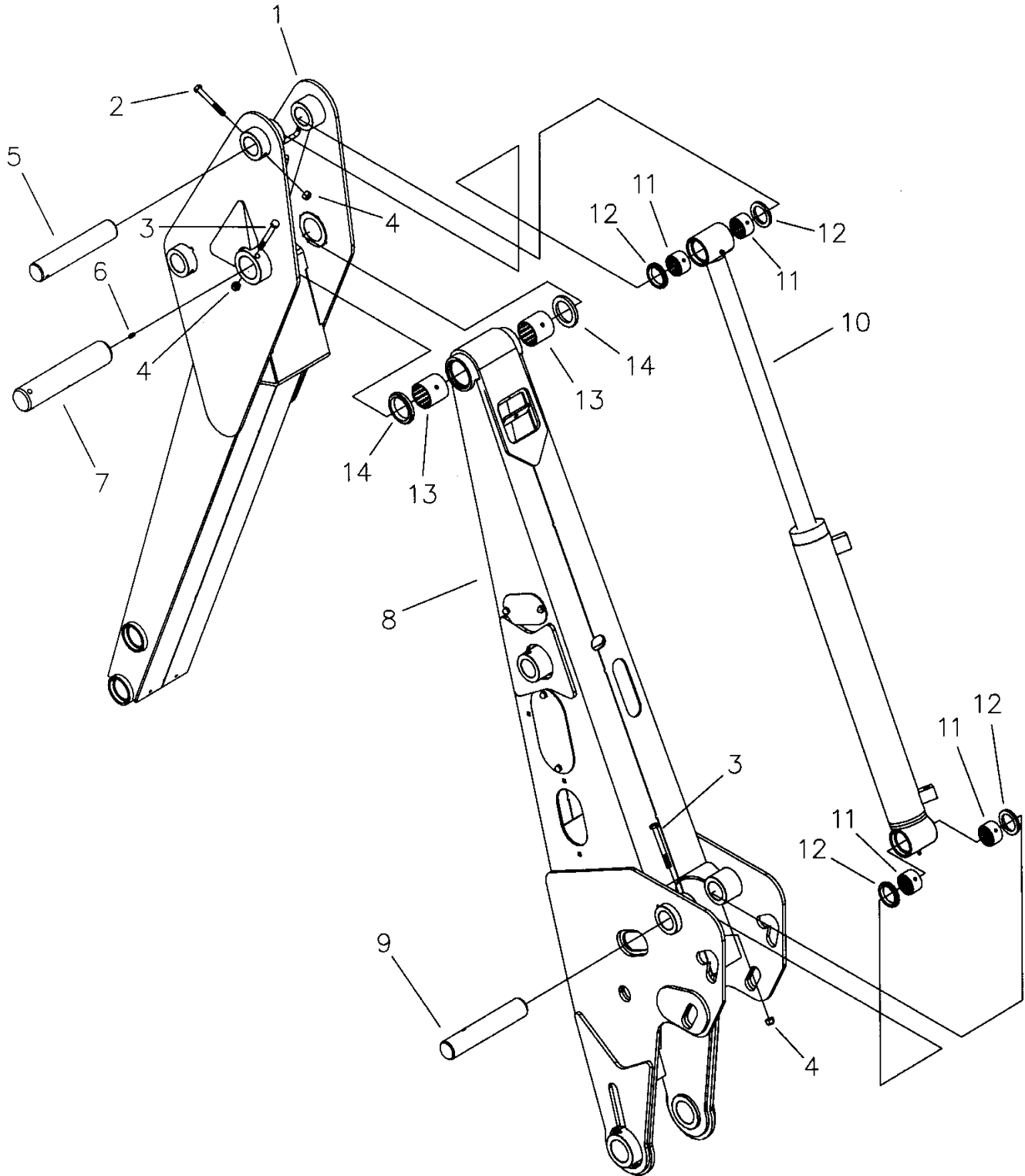
NO	REQ'D	PART NO	DESCRIPTION
1	1	923395	BACKHOE BOOM,10'
2	3	044080	3/8-16 NC TOP LOCK NUT
3	1	046138	3/8-16 NC x 3-1/2 GRADE 5 BOLT
4	1	923146	BOOM CYLINDER BASE END MOUNTING PIN
5	1	923153	BACKHOE BOOM / SWING POST PIN
6	1	401256	STRAIGHT ZERK FITTING
7	1	923300	BOOM CYLINDER, 10' BACKHOE
8	1	923084	SWING POST WELDMENT
9	1	923117	BOOM LOCK LINKAGE ARM
10	1	923116	BOOM LOCK LINKAGE ASSEMBLY
11	2	045012	COTTER PIN, 1/4 X 1-3/4
12	4	923059	BOOM LOCK NYLON WASHER
13	1	923149	BOOM CYLINDER ROD END MOUNTING PIN
14	4	923224	WAVY WASHER, 1-3/4 O.D. x 1" I.D. x .025 THK
15	4	044027	5/16-18 ACORN NUT
16	1	923349	LARGE COVER
17	4	923041	BEARING SEAL
18	4	923044	GARLOCK BEARING
19	2	923042	BEARING SEAL
20	2	923047	GARLOCK BEARING
21	1	923219	BOOM HOSE PLATE
22	2	044033	5/16-18 NC NYLON INSERT NUT
23	4	053029	5/16-18 NC X X1/2 CARRIAGE BOLT
24	4	045217	5/16-18 NC PUSHNUT BOLT RETAINER
25	1	923350	SMALL COVER
26	2	046060	5/16-18 NC X 1-1/2 GRADE 5 BOLT
27	2	046137	3/8-16 X 3" GRADE 5 BOLT
NS		923580	SEAL KIT FOR 923300

LEGEND: NS = Not Shown

\*\* = Purchase locally

# 10 FT. BOOM AND DIPPER ASSEMBLY

A-3G



# 10 FT. BOOM AND DIPPER ASSEMBLY PARTS

---

A-3H

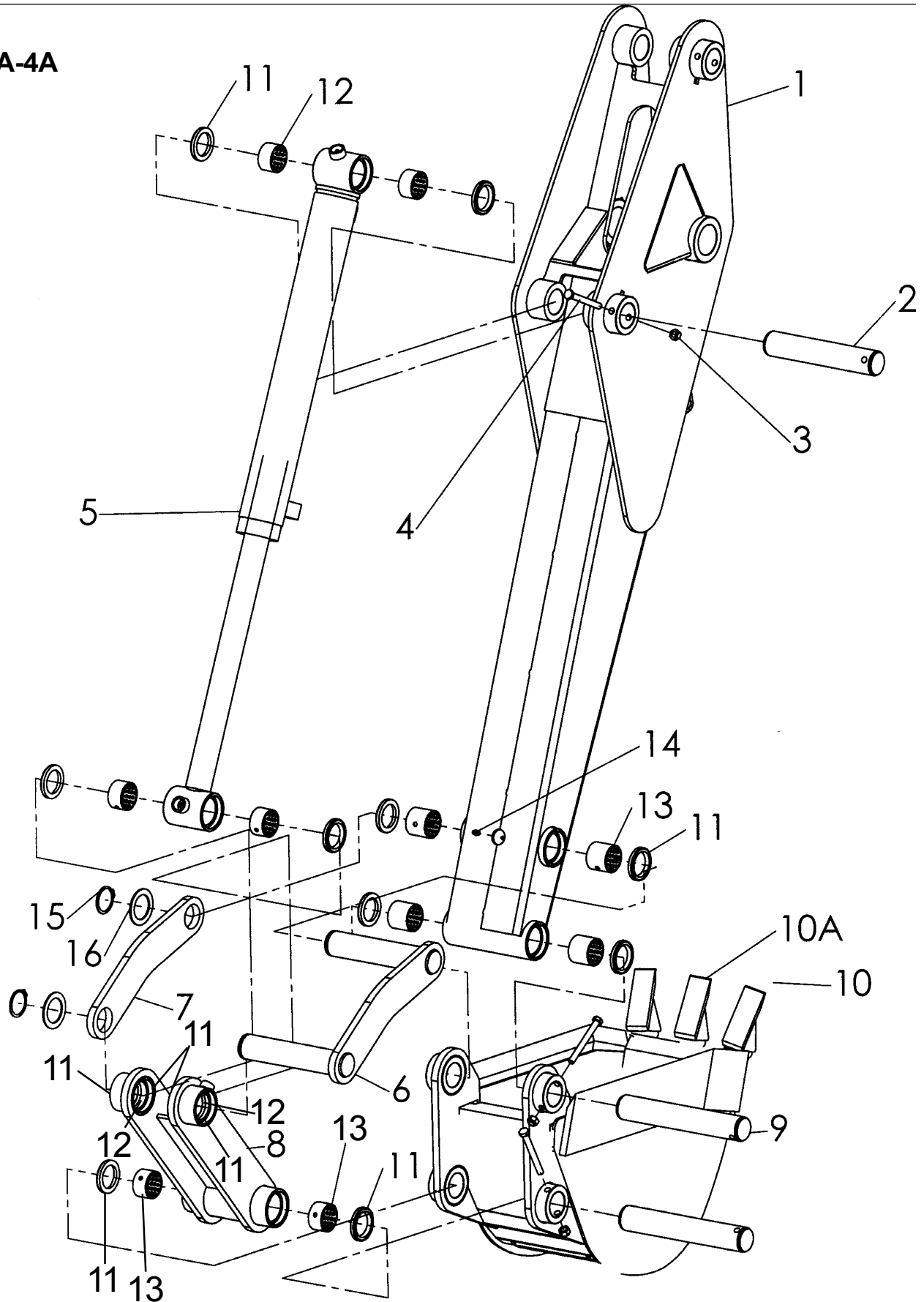
NO	REQ'D	PART NO	DESCRIPTION
1	1	923403	BACKHOE DIPPER, 10'
2	2	046137	3/8-16 NC x 3" GRADE 5 BOLT
3	1	046138	3/8-16 NC x 3-1/2" GRADE 5 BOLT
4	3	044080	3/8-16 NC TOP LOCK NUT
5	1	923584	BOOM CYLINDER BASE END MOUNTING PIN
6	1	401256	STRAIGHT ZERK FITTING
7	1	923154	BACKHOE DIPPER / BOOM PIN
8	1	923395	BACKHOE BOOM, 10'
9	1	923150	DIPPER CYLINDER BASE END MOUNTING PIN
10	1	923220	DIPPER CYLINDER, 10' BACKHOE
11	4	923044	GARLOCK BEARING
12	4	923041	BEARING SEAL
13	4	923047	GARLOCK BEARING
14	4	923042	BEARING SEAL
NS		923575	SEAL KIT FOR 923220

LEGEND: NS = Not Shown

\*\* = Purchase locally

# 8 1/2 FT. DIPPER AND BUCKET ASSEMBLY

A-4A



# 8 1/2 FT. DIPPER AND BUCKET ASSEMBLY PARTS

---

A-4B

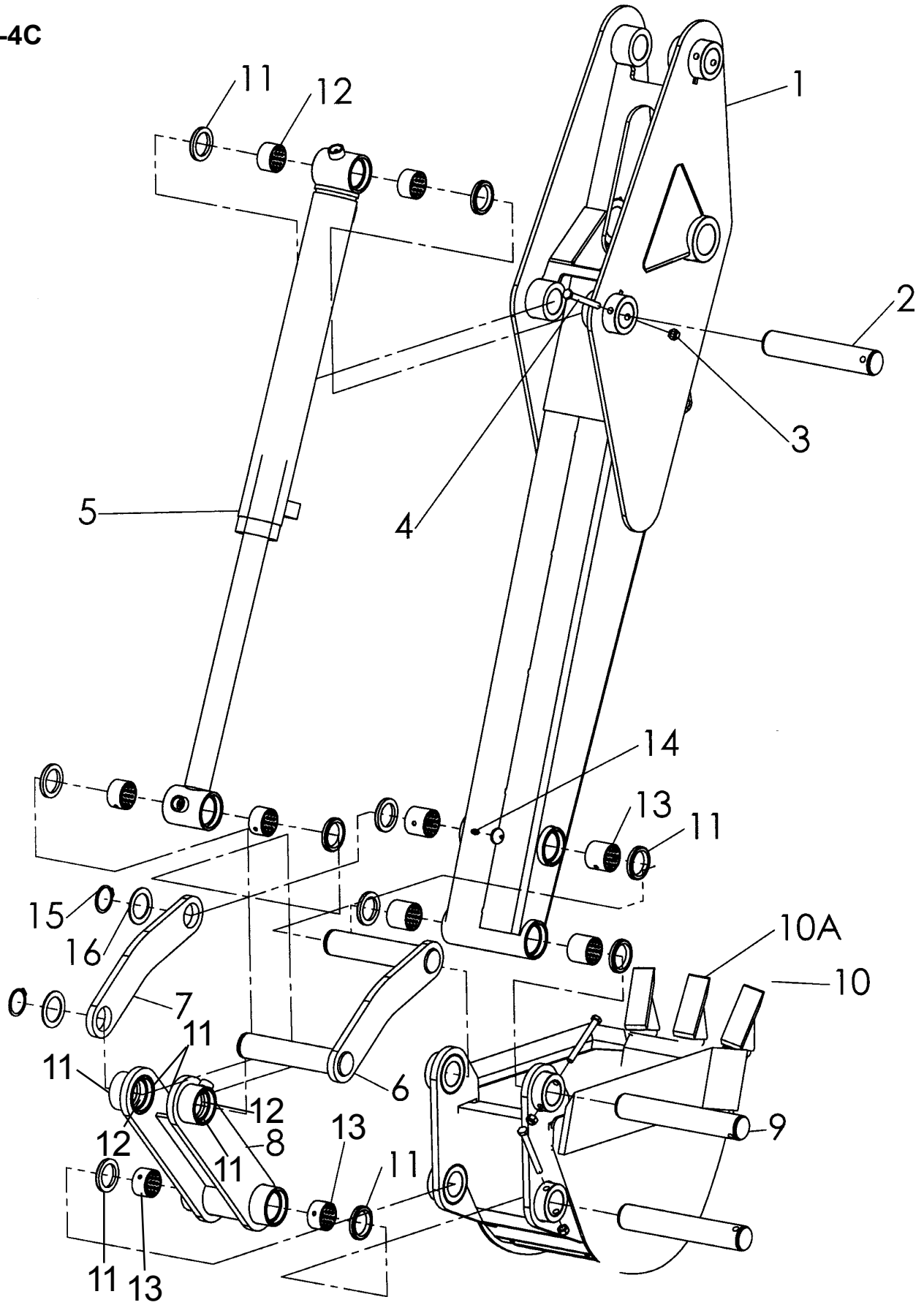
NO	REQ'D	PART NO	DESCRIPTION
1	1	923165	BACKHOE DIPPER, 8-1/2'
2	1	923584	BOOM CYLINDER BASE END MOUNTING PIN
3	3	044080	3/8-16 NC TOP LOCK NUT
4	3	046137	3/8-16 NC x 3" GRADE 5 BOLT
5	1	923244P	BUCKET CYLINDER, 8-1/2' BACKHOE
6	1	923164	TOGGLE ARM
7	1	923181	TOGGLE ARM PLATE
8	1	923161	BUCKET LINK ASSEMBLY
9	2	923151	BUCKET MOUNTING PIN
10	1	923172	16" BUCKET ASSEMBLY
	NS	923215	10" BUCKET ASSEMBLY
	NS	923365	12" BUCKET ASSEMBLY
	NS	923370	18" BUCKET ASSEMBLY
	NS	923380	24" BUCKET ASSEMBLY
	NS	923386	36" BUCKET ASSEMBLY
10A		930286	BUCKET TOOTH
	NS	923190	TOOTH SHANK
	NS	923185	TOOTH AND SHANK
11	14	923041	BEARING SEAL
12	6	923044	GARLOCK BEARING
13	6	923045	GARLOCK BEARING
14	1	401256	STRAIGHT ZERK FITTING
14	1	401256	STRAIGHT ZERK FITTING
15	2	923206	SNAP RING, 1-5/8"
16	2	923207	MACHINE BUSHING 1-5/8 X 14 GA.
NS		923576	SEAL KIT FOR 923156
NS		100269	SEAL KIT FOR 923244P

LEGEND: NS = Not Shown

\*\* = Purchase locally

# 10 FT. DIPPER AND BUCKET ASSEMBLY

A-4C



# 10 FT. DIPPER AND BUCKET ASSEMBLY PARTS

---

A-4D

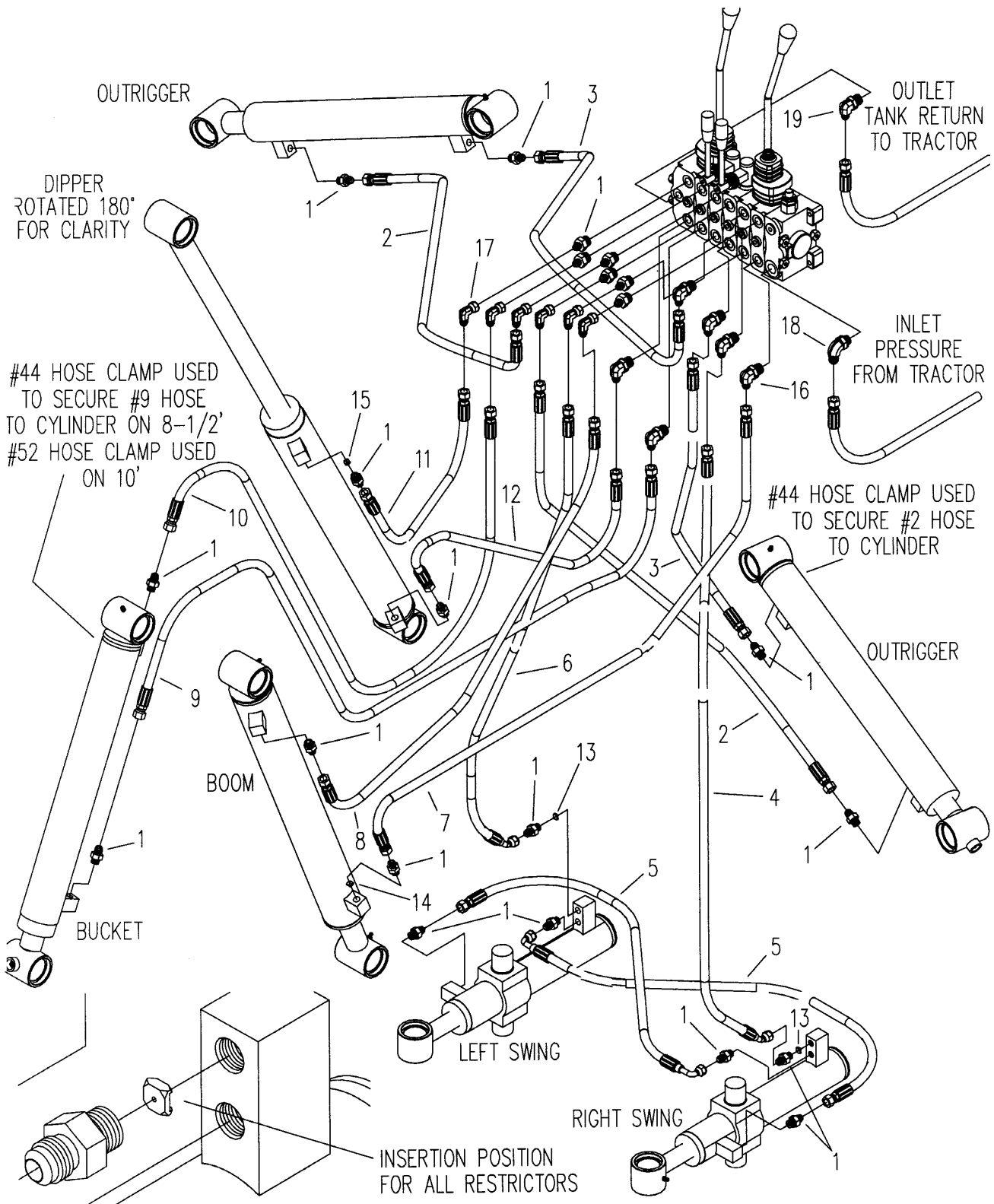
NO	REQ'D	PART NO	DESCRIPTION
1	1	923403	BACKHOE DIPPER, 10'
2	1	923584	BOOM CYLINDER BASE END MOUNTING PIN
3	3	044080	3/8-16 NC TOP LOCK NUT
4	3	046137	3/8-16 NC x 3" GRADE 5 BOLT
5	1	923221	BUCKET CYLINDER, 10' BACKHOE
6	1	923164	TOGGLE ARM
7	1	923181	TOGGLE ARM PLATE
8	1	923161	BUCKET LINK ASSEMBLY
9	2	923151	BUCKET MOUNTING PIN
10	1	923360	16" BUCKET ASSEMBLY
	NS	923366	10" BUCKET ASSEMBLY
	NS	923368	12" BUCKET ASSEMBLY
	NS	923374	18" BUCKET ASSEMBLY
	NS	923376	20" BUCKET ASSEMBLY
	NS	923384	24" BUCKET ASSEMBLY
	NS	923391	36" BUCKET ASSEMBLY
10A		930286	BUCKET TOOTH
	NS	923190	TOOTH SHANK
	NS	923185	TOOTH AND SHANK
11	14	923041	BEARING SEAL
12	6	923044	GARLOCK BEARING
13	6	923045	GARLOCK BEARING
14	1	401256	STRAIGHT ZERK FITTING
15	2	923207	MACHINE BUSHING 1-5/8 X 14 GA.
16	2	923206	SNAP RING, 1-5/8"
NS		923574	SEAL KIT FOR 923221

LEGEND: NS = Not Shown

    \*\* = Purchase locally

# 8 1/2 FT. HYDRAULIC HOSE ASSEMBLIES

## A-5A





# 8 1/2 FT. HYDRAULIC HOSE ASSEMBLIES PARTS

A-5B

NO	REQ'D	PART NO	DESCRIPTION
1	22	320076	HYDRAULIC FITTING 8M3K-8FJX-8FJX-92"
2	2	923052	3/8 HOSE ASSEMBLY 3000 PSI 6FJX-6FJX-50"
3	2	923051	3/8 HOSE ASSEMBLY 3000 PSI 6FJX-6FJX-28.5"
4	1	923049	3/8 HOSE ASSEMBLY 3000 PSI 6FJX-6FJX45S-27"
5	2	923048	1/4 HOSE ASSEMBLY 3000 PSI 6FJX-6FJX90S-23"
6	1	923050	3/8 HOSE ASSEMBLY 3000 PSI 6FJX-6FJX45S-25"
7	1	923054	3/8 HOSE ASSEMBLY 3000 PSI 6FJX-6FJX-76"
8	1	923053	3/8 HOSE ASSEMBLY 3000 PSI 6FJX-6FJX-72"
9	1	923058	3/8 HOSE ASSEMBLY 3000 PSI 6FJX-6FJX-129"
10	1	923057	3/8 HOSE ASSEMBLY 3000 PSI 6FJX-6FJX-111"
11	1	923055	3/8 HOSE ASSEMBLY 3000 PSI 6FJX-6FJX-83"
12	1	923056	3/8 HOSE ASSEMBLY 3000 PSI 6FJX-6FJX-81"
13	2	930292	RESTRICTOR, .070 DIA.
14	1	923210	RESTRICTOR, .094 DIA.
15	1	923209	RESTRICTOR, .105 DIA.
16	6	920692	HYDRAULIC FITTING
17	6	921226	HYDRAULIC FITTING
18	1	320070	HYDRAULIC FITTING
19	1	921220	HYDRAULIC FITTING
20	1	045031	HOSE CLAMP - SIZE 44
21	1	045029	HOSE CLAMP - SIZE 52

LEGEND: NS = Not Shown

\*\* = Purchase locally

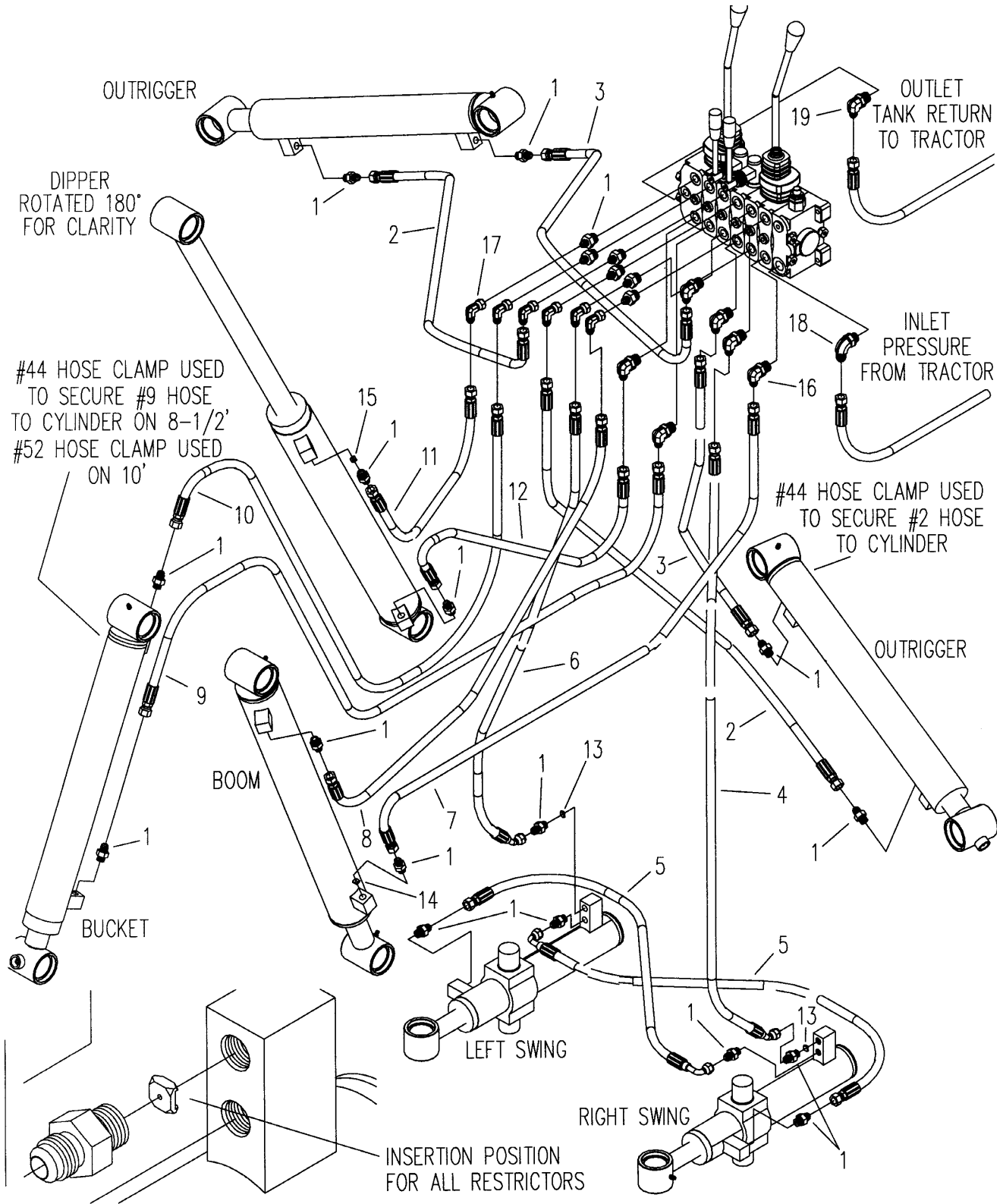
# 10 FT. HYDRAULIC HOSE ASSEMBLIES

923050

3/8 HOSE ASSE

6FJX-6FJX45S-

## A-5C



# 10 FT. HYDRAULIC HOSE ASSEMBLIES PARTS

SEMBLY 3000 PSI  
25"

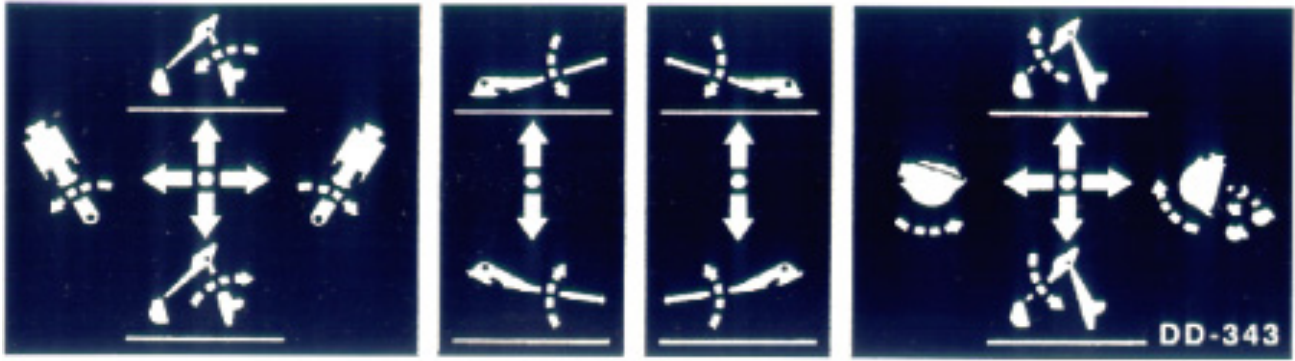
A-5D

NO	REQ'D	PART NO	DESCRIPTION
1	22	320076	HYDRAULIC FITTING 8M3K-8FJX-8FJX-92"
2	2	923052	3/8 HOSE ASSEMBLY 3000 PSI 6FJX-6FJX-50"
3	2	923051	3/8 HOSE ASSEMBLY 3000 PSI 6FJX-6FJX-28.5"
4	1	923049	3/8 HOSE ASSEMBLY 3000 PSI 6FJX-6FJX45S-27"
5	2	923048	1/4 HOSE ASSEMBLY 3000 PSI 6FJX-6FJX90S-23"
6	1	923050	3/8 HOSE ASSEMBLY 3000 PSI 6FJX-6FJX45S-25"
7	1	923342	3/8 HOSE ASSEMBLY 3000 PSI 6FJX-6FJX-78"
8	1	923341	3/8 HOSE ASSEMBLY 3000 PSI 6FJX-6FJX-74"
9	1	923346	3/8 HOSE ASSEMBLY 3000 PSI 6FJX-6FJX-144"
10	1	923345	3/8 HOSE ASSEMBLY 3000 PSI 6FJX-6FJX-120"
11	1	923343	3/8 HOSE ASSEMBLY 3000 PSI 6FJX-6FJX-97"
12	1	923344	3/8 HOSE ASSEMBLY 3000 PSI 6FJX-6FJX-90"
13	2	930292	RESTRICTOR, .070 DIA.
14	1	923210	RESTRICTOR, .094 DIA.
15	1	923209	RESTRICTOR, .105 DIA.
16	6	920692	HYDRAULIC FITTING
17	6	921226	HYDRAULIC FITTING
18	1	320070	HYDRAULIC FITTING
19	1	921220	HYDRAULIC FITTING
20	1	045031	HOSE CLAMP - SIZE 44
21	1	045029	HOSE CLAMP - SIZE 52

LEGEND: NS = Not Shown

\*\* = Purchase locally

# SAFETY AND OPERATION DECALS



090343  
OPERATING CONTROLS DECAL

090342  
PINCHING HAZARD DECAL

090339  
BODILY INJURY WARNING DECAL

090340  
CRUSHING HAZARD DECAL



090191  
HIGH PRESSURE FLUID HAZARD

090269  
ALLMAND CORPORATE LOGO DECAL 12"

# SAFETY AND OPERATION DECALS

090147  
NO STEP DECAL

090338  
BUCKET/STABILIZER CONTACT DECAL

090210  
OPERATIONAL WARNING DECAL



090370  
CALL BEFORE YOU DIG

090341  
BOOM LOCK LOCATION DECAL

# LIMITED WARRANTY

## ALLMAND TLB LIMITED WARRANTY UNITED STATES and U.S. TERRITORIES

**THIS WARRANTY IS IN LIEU OF ALL OTHER WARRANTIES, EXPRESSED OR IMPLIED INCLUDING WARRANTIES OF MERCHANTABILITY OR OF FITNESS FOR PURPOSE, AND ANY EXCEPTIONS ARE DESCRIBED IN THE PUBLISHED LIMITED WARRANTY ADDENDUM, AVAILABLE UPON REQUEST.**

**COMPONENTS, SUB-ASSEMBLIES AND DEVICES MANUFACTURED BY OTHER MANUFACTURERS ARE NOT COVERED BY THIS WARRANTY. ALL WARRANTY INFORMATION FROM SUCH OTHER MANUFACTURERS IS PROVIDED WITHIN OR ACCOMPANY THESE GOODS.**

Subject to the foregoing, the manufacturer, Allmand Bros. Inc., hereby warrants all tractor-loader-backhoes manufactured by Allmand Bros. Inc. after June 1, 2001 to be free from defects in material and workmanship for a period of (2) years after delivery to the original purchaser. The first year warranty would include parts and labor. The second year warranty would be limited to parts manufactured by Allmand Bros. Inc. and components warranted by the original equipment manufacturer for more than 12 months. Additionally, Allmand Bros. Inc., hereby warrants all replacement parts supplied by Allmand Bros. Inc. to be free from defects in material and workmanship for a period of 90 days after date of invoice. Delivery shall be deemed for the purposes of this warranty to have occurred no later than five days following the date of sale agreement or invoice unless the purchase agreement or invoice specifically states a later delivery date in which case such delivery date shall control. The original purchaser shall be deemed to be a person who places the goods or products in actual use, and any person holding such goods solely for wholesale or retail sale purposes shall not constitute an original purchaser. PROVIDED, any leasing of these goods or other use beyond normal demonstration of same shall be deemed to be in use by an original purchaser and all warranty periods shall commence at the time of such use. During the warranty period any defective goods or parts hereof shall be repaired or replaced at manufacturer's discretion. In the event it is necessary to return such goods or parts to the factory, all transportation charges shall be prepaid. The manufacturer shall in no event pay mileage expenses, but will warrant outbound ground freight.

The obligations of the manufacturer is solely to repair or replace defective goods or parts or to refund the cost of the same if it is determined by the manufacturer that repair or replacement will not return the goods to proper working order or utility. **THE REMEDIES SET FORTH HEREIN ARE EXCLUSIVE AND MANUFACTURER SHALL NOT BE LIABLE FOR SPECIAL, INDIRECT, OR CONSEQUENTIAL DAMAGES. THE OBLIGATIONS OF THE MANUFACTURER HEREUNDER SHALL IN NO WAY EXCEED THE PRICE OF THE EQUIPMENT OR PART UPON WHICH SUCH LIABILITY IS BASED.**

The warranty shall not extend to tires, lamps, batteries, or parts that have been altered, changed, damaged, or improperly installed, repaired, operated or maintained. Provided, this exclusion shall not apply to installations, repairs or other work done at the manufacturer's plant or under direct manufacturer's supervision. The Operator's Manual, to the extent covered therein, is deemed to set forth the proper procedures for operation, repair, installation, and maintenance of these goods.

No representative, dealer or distributor of the company is authorized to make any changes or exceptions to this warranty unless expressly authorized in writing from the manufacturer. All warranty claims must be filed within forty-five (45) days of the failure.

